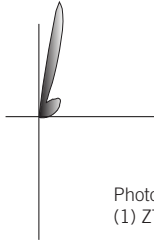


ZENN T2



Photometric Drawing for
(1) ZT2-SMT-120

TYPE _____ PROJECT _____



CATALOG NUMBER

FIXTURE		REFLECTOR		VOLTAGE	
ZT2	4" x 18" Zenn	TNB	Ribbed Reflector	120	120 v
		SMT	Smooth Reflector	277	277 v

SPECIFICATIONS

Construction. Fixture body is constructed of steel. Curved reflector is constructed of aluminum.

Shielding. For curved reflector, Smooth or Tannenbaum® Ribbed must be specified.

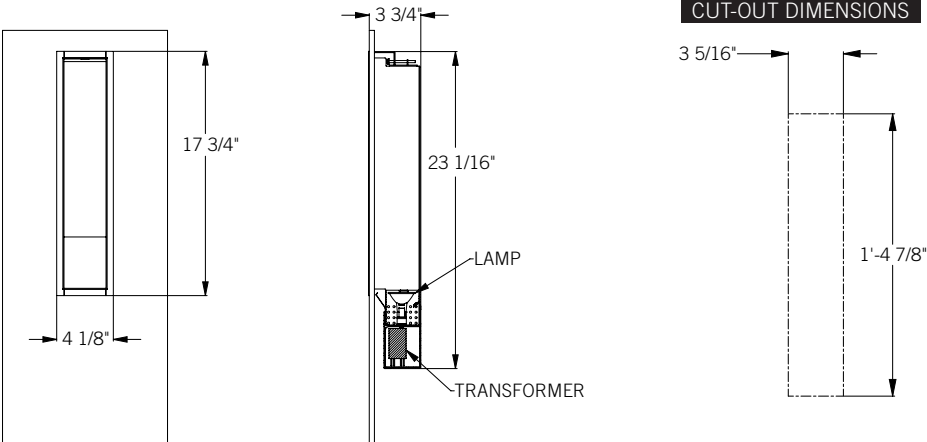
Finish. Fixture body and flange are finished in polyester powdercoat, color RAL 9006. Curved reflector is anodized aluminum.

Electrical. Specify 120 or 277 volts. Fixture is provided with integral electronic low voltage transformer. Fixture is UL/CUL listed for damp locations.

Lamping. Single, 50 watt maximum low voltage MR16 halogen lamp with glass integral lens. Lamp not included.

Mounting. Fixture may be mounted with lamp facing either up or down. Fixture may be mounted in plaster or drywall up to 1" thick. **ADA COMPLIANT.**

DIMENSIONS & DETAILS



Installation instructions may be found at www.energielighting.com.



Energie LLC, 4885 Ward Road, Suite 300, Wheat Ridge CO 80033 Tel 720.963.8055 Fax 720.963.8044 www.energielighting.com
 In an effort to continually improve our products, we reserve the right to change or modify designs and/or materials without prior notice.
 All rights reserved. These products may be covered by one or more U.S. or international patents or patents pending. 07/10

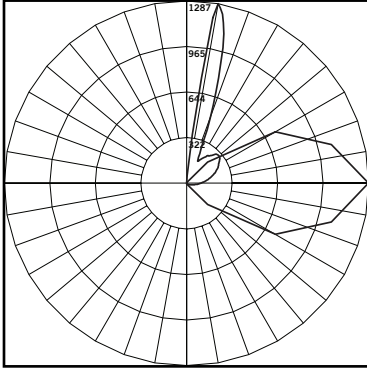


ZENN T2

TYPE _____
PROJECT _____

PHOTOMETRICS

ZT2-SMT



CANDELA DISTRIBUTION

	0	45	90
0	2	2	2
5	3	3	2
15	4	4	2
25	6	5	1
35	9	8	1
45	13	11	1
55	16	12	1
65	25	16	1
75	44	18	1
85	78	20	1
95	126	22	0
105	184	24	1
115	239	25	1
125	286	25	1
135	290	29	1
145	224	41	1
155	203	87	1
165	990	485	1
175	8	2	1

LUMINAIRE

Description: Zenn T2
Catalog Number: ZT2-SMT-120
Efficiency: 48.8%
Distribution: 14.8% direct, 85.2% indirect

LUMINANCE (Candela/sq meter)

ANGLE	0-DEG	45-DEG	90-DEG
45	0	595	38
55	0	701	33
65	0	676	30
75	0	713	28
85	0	769	27

ZONAL LUMEN SUMMARY

ZONE	LUMENS	% LAMP	% FIXT
0 - 30	1.18	.2	.4
0 - 40	2.72	.4	.8
0 - 60	10	1.5	3.1
0 - 90	48.03	7.3	14.8
90-120	71.72	10.9	22.1
90 - 130	109.01	16.5	33.7
90 - 150	174.03	26.4	33.7
90 - 180	275.89	41.8	85.2
0 - 180	323.92	49.1	100

ZONAL LUMEN SUMMARY

ZONE	LUMENS
0-10	0.4
10-20	.34
20-30	.8
30-40	1.54
40-50	2.82
50-60	4.46
60-70	6.34
70-80	9.07
80-90	22.62
90-100	10.71
100-110	27.23
110-120	33.77
120-130	37.29
130-140	36.08
140-150	28.95
150-160	23.51
160-170	54.81
170-180	23.53

COEFFICIENTS OF UTILIZATION

RC RW	80				70				50			30			10			0
	70	50	30	10	70	50	30	10	50	30	10	50	30	10	50	30	10	0
0	48	48	48	48	42	42	42	42	31	31	31	21	21	21	12	12	12	7
1	43	40	38	36	37	35	33	31	25	24	23	16	15	15	8	7	7	3
2	38	34	31	28	33	30	27	25	22	20	18	14	12	11	7	6	5	2
3	35	30	26	23	30	26	23	20	19	16	15	12	10	9	6	5	4	1
4	32	26	22	19	27	23	19	17	16	14	12	10	9	8	5	4	3	1
5	29	23	19	16	25	20	17	14	15	12	10	9	8	6	4	3	3	1
6	27	21	17	14	23	18	15	12	13	11	9	8	7	6	4	3	2	1
7	24	19	15	12	21	16	13	10	12	9	8	7	6	5	3	3	2	0
8	23	17	13	10	20	15	11	9	11	8	7	7	5	4	3	2	2	0
9	21	15	11	9	18	13	10	8	10	7	6	6	5	4	3	2	2	0
10	19	14	10	8	17	12	9	7	9	7	5	6	4	3	3	2	1	0