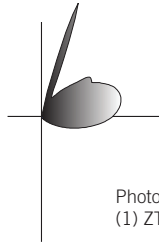
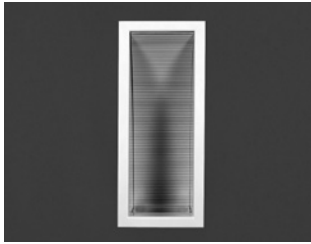


ZENN T1



Photometric Drawing for
(1) ZT1-SMT-120

TYPE _____ PROJECT _____



CATALOG NUMBER

FIXTURE		REFLECTOR		VOLTAGE	
ZT1	4" x 10" Zenn	TNB	Ribbed Reflector	120	120 v
		SMT	Smooth Reflector	277	277 v

SPECIFICATIONS

Construction. Fixture body is constructed of steel. Curved reflector is constructed of aluminum.

Shielding. For curved reflector, smooth or Tannenbaum® ribbed must be specified.

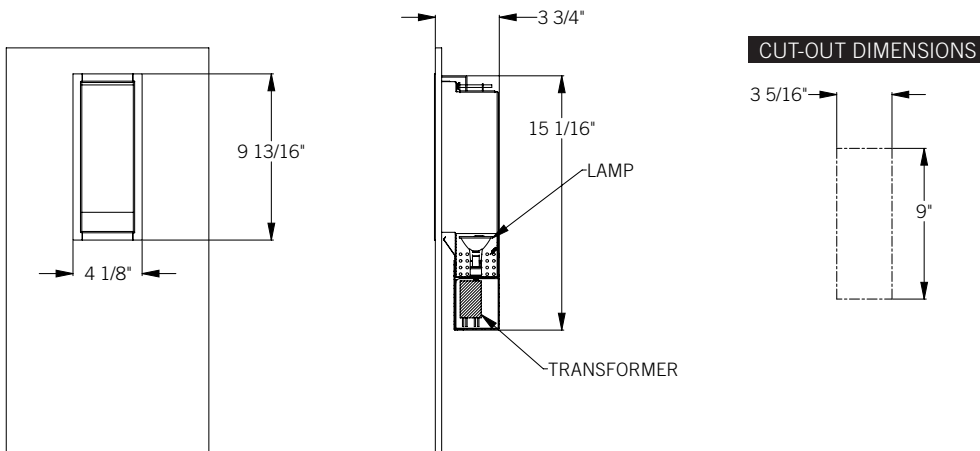
Finish. Fixture body and flange are finished in polyester powdercoat, color RAL 9006. Curved reflector is anodized aluminum.

Electrical. Specify 120 or 277 volts. Fixture is provided with integral electronic low voltage transformer. Fixture is UL/CUL listed for damp locations.

Lamping. Single, 50 watt maximum low voltage MR16 halogen lamp with glass lens. Lamp not included.

Mounting. Fixture may be mounted with lamp facing either up or down. Fixture may be mounted in plaster or drywall up to 1" thick.
ADA COMPLIANT.

DIMENSIONS & DETAILS



Installation instructions may be found at www.energielighting.com.



Energie LLC, 4885 Ward Road, Suite 300, Wheat Ridge CO 80033 Tel 720.963.8055 Fax 720.963.8044 www.energielighting.com
In an effort to continually improve our products, we reserve the right to change or modify designs and/or materials without prior notice.
All rights reserved. These products may be covered by one or more U.S. or international patents or patents pending. 07/10

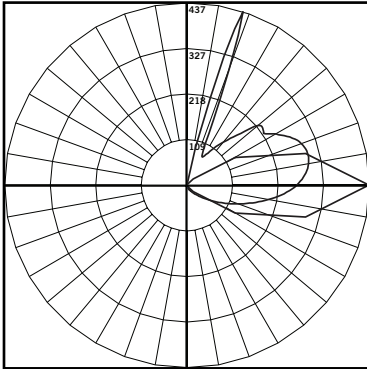


ZENN T1

TYPE _____
PROJECT _____

PHOTOMETRICS

ZT1-SMT



CANDELA DISTRIBUTION

	0	45	90
0	0	0	0
5	1	1	0
15	5	3	0
25	10	6	0
35	19	9	0
45	34	12	0
55	60	15	1
65	102	17	1
75	163	20	1
85	234	21	1
95	283	21	1
105	296	20	1
115	292	19	1
125	247	17	1
135	223	17	1
145	133	15	0
155	79	30	0
165	295	26	0
175	3	1	0

LUMINAIRE

Description: Zenn T1
Catalog Number: ZT1-SMT-120
Efficiency: 48.8%
Distribution: 32.1% direct, 67.9% indirect

LUMINANCE (Candela/sq meter)

ANGLE	0-DEG	45-DEG	90-DEG
45	0	1227	0
55	0	1324	62
65	0	1356	56
75	0	1497	53
85	0	1524	51

ZONAL LUMEN SUMMARY

ZONE	LUMENS	% LAMP	% FIXT
0 - 30	.94	.1	.3
0 - 40	2.96	.4	.9
0 - 60	15.01	2.3	4.7
0 - 90	103.29	15.7	32.1
90-120	109.63	16.6	34
90 - 130	146.08	22.1	45.3
90 - 150	193.07	29.3	45.3
90 - 180	218.98	33.2	67.9
0 - 180	322.27	48.8	100

ZONAL LUMEN SUMMARY

ZONE	LUMENS
0-10	0
10-20	.17
20-30	.77
30-40	2.02
40-50	4.18
50-60	7.87
60-70	13.63
70-80	22.03
80-90	52.58
90-100	21.7
100-110	44.83
110-120	43.1
120-130	36.46
130-140	28.42
140-150	18.57
150-160	10.34
160-170	11.38
170-180	4.19

COEFFICIENTS OF UTILIZATION

RC RW	80				70				50			30			10			0
	70	50	30	10	70	50	30	10	50	30	10	50	30	10	50	30	10	0
0	50	50	50	50	45	45	45	45	36	36	36	27	27	27	19	19	19	16
1	42	39	36	33	38	34	32	29	26	24	22	19	17	16	12	11	10	6
2	38	33	29	25	33	29	25	22	22	19	17	15	13	11	9	8	6	4
3	34	28	24	20	30	25	21	18	19	16	13	13	11	9	8	6	5	2
4	31	25	20	16	27	22	18	15	16	13	11	11	9	7	7	5	4	1
5	28	22	17	14	25	19	15	12	14	11	9	10	8	6	6	4	3	1
6	26	19	15	12	23	17	13	10	13	10	8	9	7	5	5	4	2	1
7	24	17	13	10	21	15	12	9	12	9	7	8	6	4	5	3	2	1
8	22	16	11	9	19	14	10	8	10	8	6	7	5	4	4	3	2	0
9	20	14	10	8	18	13	9	7	10	7	5	7	5	3	4	3	2	0
10	19	13	9	7	17	11	8	6	9	6	4	6	4	3	4	2	1	0