

# ZENN TO



TYPE \_\_\_\_\_ PROJECT \_\_\_\_\_



## CATALOG NUMBER

FIXTURE		REFLECTOR		VOLTAGE	
<b>ZT0</b>	4" x 4" Zenn	<b>TNB</b>	Ribbed Reflector	<b>120</b>	120 v
		<b>SMT</b>	Smooth Reflector	<b>277</b>	277 v

## SPECIFICATIONS

**Construction.** Fixture body is are constructed of steel. Curved reflector is constructed of aluminum.

**Shielding.** Lamp opening is covered with clear glass plate. For curved reflector, smooth or Tannenbaum® ribbed must be specified.

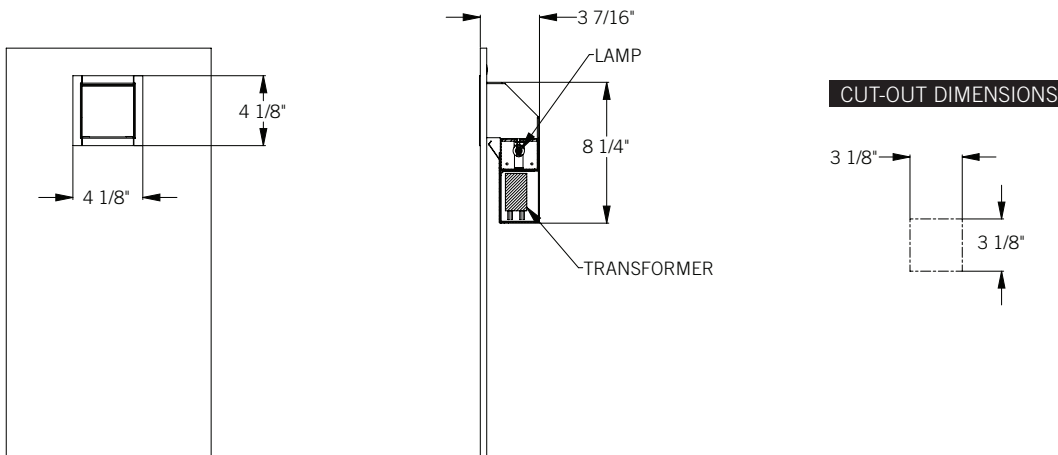
**Finish.** Fixture body and flange are finished in polyester powdercoat, color RAL 9006. Curved reflector is anodized aluminum.

**Electrical.** Specify 120 or 277 volts. Fixture is provided with integral electronic low voltage transformer. Fixture is UL/CUL listed for damp locations.

**Lamping.** Single, 35 watt maximum bi-pin low voltage T4 halogen lamp. Lamp not included.

**Mounting.** Fixture may be mounted with lamp facing either up or down. Fixture may be mounted in plaster or drywall up to 1" thick. **ADA COMPLIANT.**

## DIMENSIONS & DETAILS



Installation instructions may be found at [www.energielighting.com](http://www.energielighting.com).