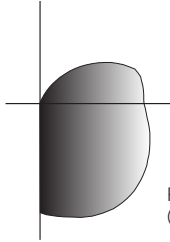


TOOL T8



Photometric Drawing for
(1) TOL-1T832

TYPE _____ PROJECT _____



CATALOG NUMBER

FIXTURE		LAMPING (SEE CROSS SECTION)	VOLTAGE	MOUNT	OPTIONS
TOL	Tool (no shielding)	1T832 1x32w T8	120 120 v	PEN Pendant mount	DIM Electronic Dimming
		1T825 1x25w T8	277 277 v	CLG Ceiling mount	FUS Fusing
		1T817 1x17w T8		WAL Wall mount	

* DETAILS – OPTIONS

DIM Dimming ballast with 5 wire 0-10VDC control scheme

FUS GLR fuse for each ballast

SPECIFICATIONS

Construction. Fixture body constructed of extruded aluminum. Housing endcaps are formed aluminum and lampholder endcaps are milled aluminum.

Shielding. No shielding.

Finish. Natural anodized aluminum.

Electrical. Specify 120 or 277 volts. Fixture is UL/CUL Listed for damp locations. Supplied with integral electronic ballast.

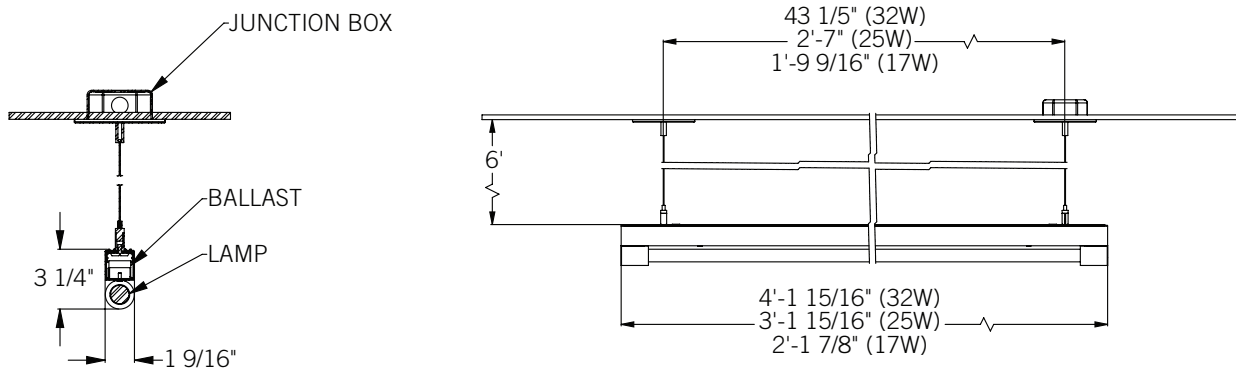
Lamping. (1) 17 watt T8 or (1) 25 watt T8 or (1) 32 watt T8 fluorescent lamp. Lamp not included.

Mounting. Fixture surface mounts over standard octagonal junction box on the ceiling, or over Energie junction box (included) on the wall. Fixture can also be pendant mounted. See page 2 for additional mounting options and accessories.

ADA COMPLIANT.

DIMENSIONS & DETAILS (cont'd on page 2)

PENDANT MOUNT



Installation instructions may be found at www.energielighting.com.



Energie LLC, 4885 Ward Road, Suite 300, Wheat Ridge CO 80033 Tel 720.963.8055 Fax 720.963.8044 www.energielighting.com
In an effort to continually improve our products, we reserve the right to change or modify designs and/or materials without prior notice.
All rights reserved. These products may be covered by one or more U.S. or international patents or patents pending. 07/10

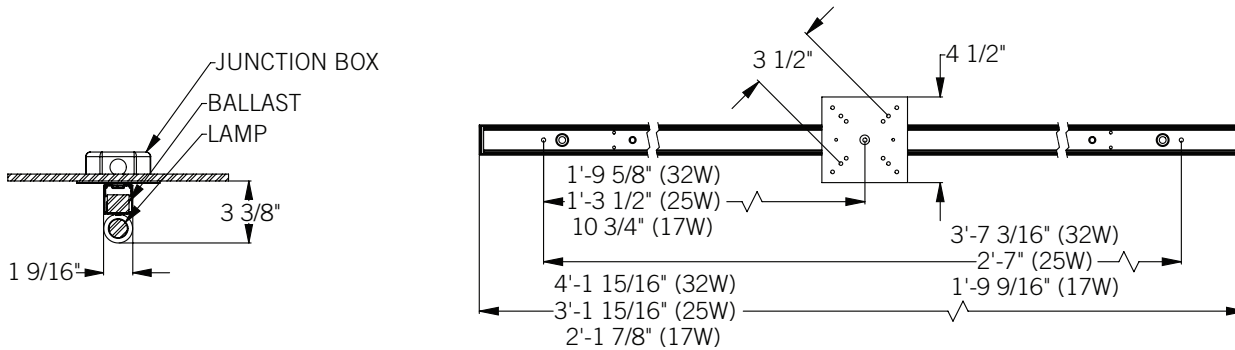


TOOL T8

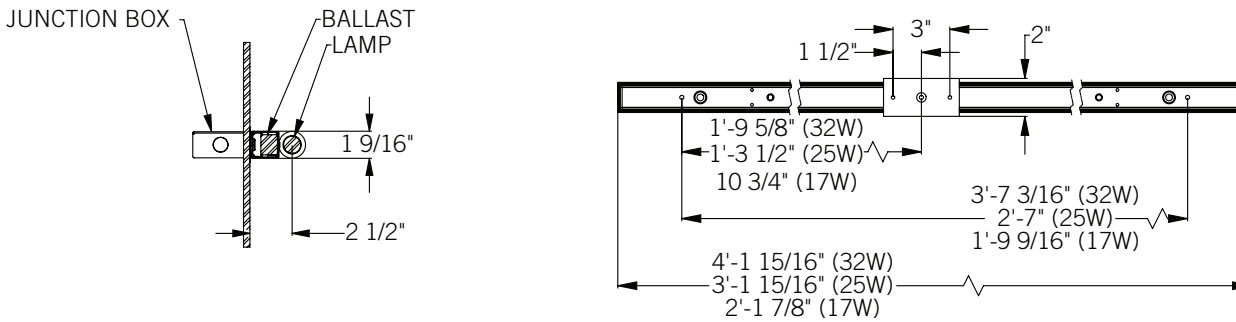
TYPE _____
PROJECT _____

DIMENSIONS & DETAILS cont'd

CEILING MOUNT



WALL MOUNT



Installation instructions may be found at www.energielighting.com.



Energie LLC, 4885 Ward Road, Suite 300, Wheat Ridge CO 80033 Tel 720.963.8055 Fax 720.963.8044 www.energielighting.com
In an effort to continually improve our products, we reserve the right to change or modify designs and/or materials without prior notice.
All rights reserved. These products may be covered by one or more U.S. or international patents or patents pending. 07/10

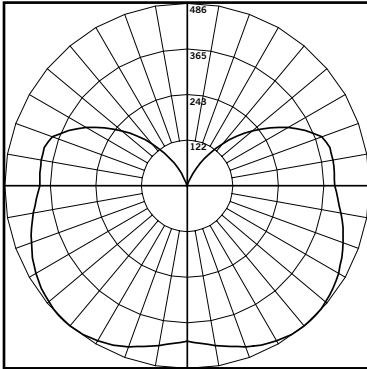


TOOL T8

TYPE _____
PROJECT _____

PHOTOMETRICS

TOL-1T832



CANDELA DISTRIBUTION

	0	45	90
0	413.5	413.5	413.5
5	421.1	416.8	415.4
15	442.8	423.3	400.2
25	467.6	422.6	367.5
35	483.6	413.7	319.2
45	486.0	393.0	260.0
55	474.6	362.5	192.9
65	454.6	326.2	123.5
75	429.9	289.8	58.1
85	402.6	256.1	11.1
95	393.7	248.6	0.8
105	394.4	248.2	0.5
115	348.1	198.3	0.5
125	269.1	144.0	0.5
135	186.6	89.7	0.5
145	105.9	39.1	0.7
155	35.7	3.	0.7
165	0.7	0.7	1.0
175	0.7	1.0	1.0

LUMINAIRE

Description: Tool T8 1x32w
Catalog Number: TOL-1T832-120-PEN
Efficiency: 92.5%
Distribution: 69.9% direct, 30.1% indirect

LUMINANCE (Candela/sq meter)

ANGLE	0-DEG	45-DEG	90-DEG
45	4431	4385	6851
55	4139	3964	6107
65	3912	3605	5090
75	3765	3339	3586
85	3704	3184	1452

ZONAL LUMEN SUMMARY

ZONE	LUMENS	% LAMP	% FIXT
0 - 30	353.78	11.1	12
0 - 40	609.43	19	20.6
0 - 60	1218.3	38.1	41.2
0 - 90	2069.46	64.7	69.9
90 - 120	663.36	20.7	22.4
90 - 130	785.92	24.6	26.5
90 - 150	884.06	27.6	29.9
90 - 180	890.94	27.8	30.1
0 - 180	2960.4	92.5	100

ZONAL LUMEN SUMMARY

ZONE	LUMENS
0-10	39.9
10-20	199.65
20-30	194.22
30-40	255.66
40-50	296.25
50-60	312.62
60-70	307.09
70-80	285.91
80-90	258.15
90-100	247.19
100-110	233.01
110-120	186.16
120-130	12256
130-140	69.09
140-150	29.05
150-160	6.42
160-170	.38
170-180	.09

COEFFICIENTS OF UTILIZATION

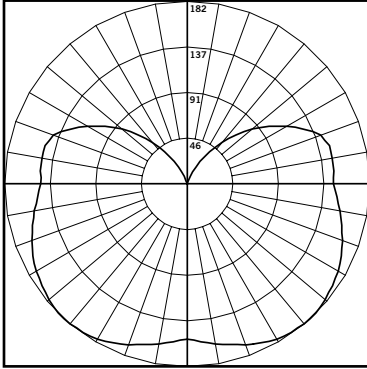
RC RW	80				70				50			30			10			0
	70	50	30	10	70	50	30	10	50	30	10	50	30	10	50	30	10	0
0	104	104	104	104	98	98	98	98	87	87	87	78	78	78	69	69	69	65
1	91	85	80	75	85	80	75	71	71	67	64	63	60	57	55	53	51	47
2	81	72	65	58	76	68	61	56	60	55	50	53	49	45	46	43	40	36
3	73	62	54	47	68	59	51	45	52	46	41	46	41	36	40	36	32	29
4	67	54	46	39	62	51	43	37	45	39	34	40	35	30	35	30	27	24
5	61	48	39	33	57	45	37	31	40	34	28	35	30	26	31	26	23	20
6	56	43	34	28	52	41	33	27	36	29	24	32	26	22	28	23	20	17
7	52	39	30	24	48	36	29	23	33	26	21	29	23	19	25	21	17	15
8	48	35	27	21	45	33	26	20	30	23	19	26	21	17	23	19	15	13
9	44	32	24	19	42	30	23	18	27	21	17	24	19	15	21	17	14	12
10	42	29	22	17	39	28	21	16	26	19	15	22	17	14	20	15	12	10

TOOL T8

TYPE _____
PROJECT _____

PHOTOMETRICS

TOL-1T817



CANDELA DISTRIBUTION

	0	45	90
0	155.0	155.0	155.0
5	157.9	156.3	155.8
15	166.1	158.7	150.1
25	175.3	158.5	137.8
35	181.4	155.1	119.7
45	182.3	147.4	97.5
55	178.0	135.9	72.3
65	170.5	122.3	46.3
75	161.2	108.7	21.8
85	151.0	96.0	4.1
95	147.7	93.2	0.3
105	147.9	93.1	0.2
115	130.5	74.4	0.2
125	100.9	54.0	0.2
135	70.0	33.6	0.2
145	39.7	14.7	0.3
155	13.4	1.3	0.3
165	0.3	0.3	0.4
175	0.3	0.4	0.4

LUMINAIRE

Description: Tool T8 1x17w
Catalog Number: TOL-1T817-120-PEN
Efficiency: 92.5%
Distribution: 69.9% direct, 30.1% indirect

LUMINANCE (Candela/sq meter)

ANGLE	0-DEG	45-DEG	90-DEG
45	3194	3108	4675
55	2983	2802	4080
65	2820	2543	3297
75	2713	2351	2193
85	2670	2234	740

ZONAL LUMEN SUMMARY

ZONE	LUMENS	% LAMP	% FIXT
0 - 30	132.67	11.1	12
0 - 40	228.53	19	20.6
0 - 60	456.86	38.1	41.2
0 - 90	776.02	64.7	69.9
90 - 120	548.77	20.7	22.4
90 - 130	294.72	24.6	26.5
90 - 150	331.53	27.6	29.9
90 - 180	334.13	27.8	30.1
0 - 180	1110.15	92.5	100

ZONAL LUMEN SUMMARY

ZONE	LUMENS
0-10	14.96
10-20	44.87
20-30	72.83
30-40	95.87
40-50	111.1
50-60	117.23
60-70	115.15
70-80	107.21
80-90	96.79
90-100	92.69
100-110	87.38
110-120	68.69
120-130	45.95
130-140	25.91
140-150	10.9
150-160	2.41
160-170	.15
170-180	.03

COEFFICIENTS OF UTILIZATION

RC RW	80				70				50			30			10			0
	70	50	30	10	70	50	30	10	50	30	10	50	30	10	50	30	10	0
0	104	104	104	104	98	98	98	98	87	87	87	78	78	78	69	69	69	65
1	91	85	80	75	85	80	75	71	71	67	64	63	60	57	55	53	51	47
2	81	72	65	58	76	68	61	56	60	55	50	53	49	45	46	43	40	36
3	73	62	54	47	68	59	51	45	52	46	41	46	41	36	40	36	32	29
4	67	54	46	39	62	51	43	37	45	39	34	40	35	30	35	30	27	24
5	61	48	39	33	57	45	37	31	40	34	28	35	30	26	31	26	23	20
6	56	43	34	28	52	41	33	27	36	29	24	32	26	22	28	23	20	17
7	52	39	30	24	48	36	29	23	33	26	21	29	23	19	25	21	17	15
8	48	35	27	21	45	33	26	20	30	23	19	26	21	17	23	19	15	13
9	44	32	24	19	42	30	23	18	27	21	17	24	19	15	21	17	14	12
10	42	29	22	17	39	28	21	16	26	19	15	22	17	14	20	15	12	10