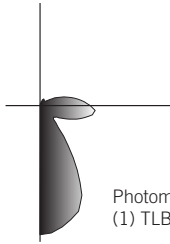
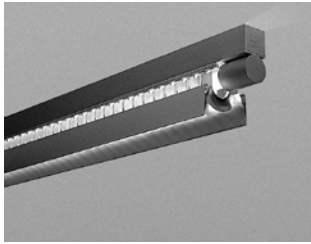


TOOL T8 BAFFLE



Photometric Drawing for
(1) TLB-1T832

TYPE _____ PROJECT _____



CATALOG NUMBER

FIXTURE		LAMPING (SEE CROSS SECTION)		VOLTAGE		MOUNT		OPTIONS	
TLB	Tool T8 (baffle)	1T832	1x32w T8	120	120 v	PEN	Pendant mount	DIM	Electronic dimming
		1T817	1x17w T8	277	277 v				

* DETAILS – OPTIONS

DIM Dimming ballast with 5 wire 0-10VDC control scheme

FUS GLR fuse for each ballast

SPECIFICATIONS

Construction. Fixture body constructed of extruded aluminum. Housing endcaps are formed aluminum and lampholder endcaps are milled aluminum.

Shielding. Natural aluminum baffle with direct/indirect distribution.

Finish. Natural anodized aluminum.

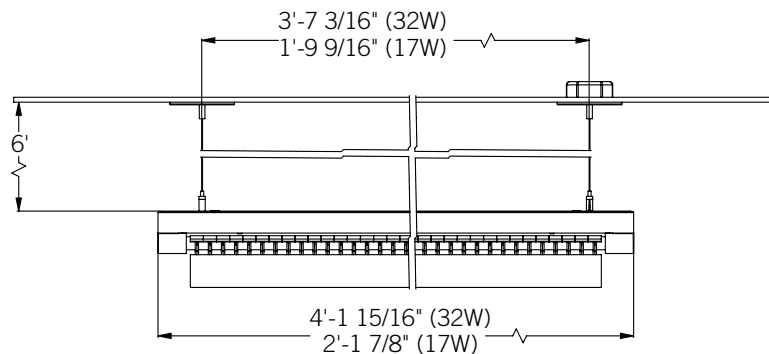
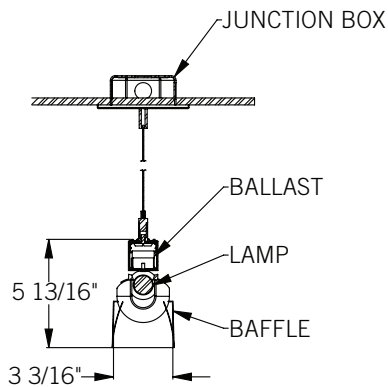
Electrical. Specify 120 or 277 volts. Fixture is UL/CUL Listed for damp locations. Supplied with integral electronic ballast.

Lamping. (1) 32 watt T8 or (1) 17 watt T8 fluorescent lamp. Lamp not included.

Mounting. Fixture surface mounts over standard octagonal junction box on the ceiling. Fixture can also be pendant mounted. See page 2 for additional mounting options and accessories.

DIMENSIONS & DETAILS (cont'd on page 2)

PENDANT MOUNT



Installation instructions may be found at www.energielighting.com.



Energie LLC, 4885 Ward Road, Suite 300, Wheat Ridge CO 80033 Tel 720.963.8055 Fax 720.963.8044 www.energielighting.com
 In an effort to continually improve our products, we reserve the right to change or modify designs and/or materials without prior notice.
 All rights reserved. These products may be covered by one or more U.S. or international patents or patents pending. 07/10

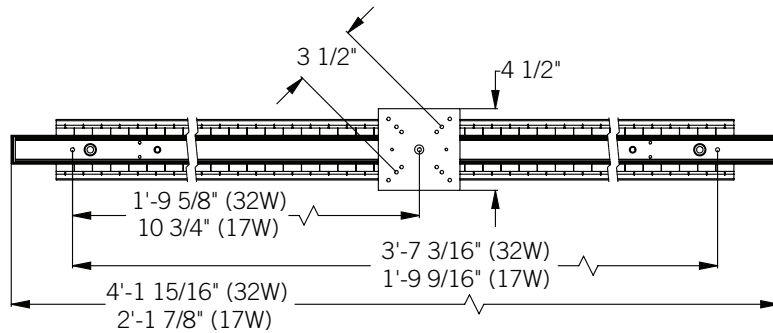
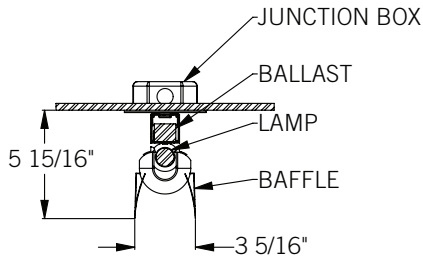


TOOL T8 BAFFLE

TYPE _____
PROJECT _____

DIMENSIONS & DETAILS cont'd

CEILING MOUNT



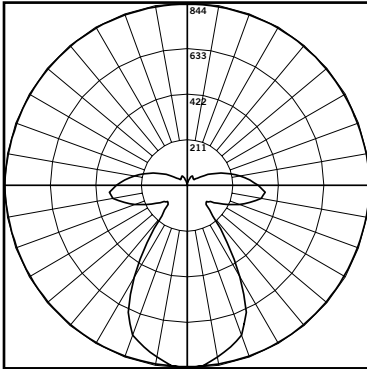
Installation instructions may be found at www.energielighting.com.

TOOL T8 BAFFLE

TYPE _____
PROJECT _____

PHOTOMETRICS

TLB-1T832



CANDELA DISTRIBUTION

	0	45	90
0	842.3	842.3	842.3
5	837.6	839.3	844.3
15	773.6	767.7	762.9
25	646.9	672.2	617.3
35	323.4	523.3	433.5
45	123.8	265.2	230.1
55	130.7	106.3	90.8
65	209.1	87.5	32.6
75	301.3	119.4	12.6
85	632.2	151.0	4.4
95	290.8	129.8	0.5
105	207.9	85.5	0.8
115	127.1	41.2	1.1
125	57.7	26.9	2.2
135	41.4	31.6	2.9
145	45.8	33.9	3.6
155	46.3	24.2	3.9
165	22.2	12.6	4.7
175	7.4	5.7	5.7

LUMINAIRE

Description: Tool T8 1x32w with Baffle
Catalog Number: TLB-1T832-120-PEN
Efficiency: 62.2%
Distribution: 80.4% direct, 19.6% indirect

LUMINANCE (Candela/sq meter)

ANGLE	0-DEG	45-DEG	90-DEG
45	636	1576	2470
55	667	624	1158
65	1096	555	532
75	1665	824	298
85	2198	1181	200

ZONAL LUMEN SUMMARY

ZONE	LUMENS	% LAMP	% FIXT
0 - 30	592.98	18.5	29.8
0 - 40	874.22	27.3	43.9
0 - 60	117.96	36.7	59
0 - 90	1600.05	50	80.4
90 - 120	305.64	9.6	15.4
90 - 130	335.32	10.5	16.9
90 - 150	373.93	11.7	18.8
90 - 180	389.93	12.2	19.6
0 - 180	1989.98	62.2	100

ZONAL LUMEN SUMMARY

ZONE	LUMENS
0-10	79.12
10-20	216.17
20-30	297.69
30-40	281.25
40-50	187.09
50-60	112.61
60-70	107.22
70-80	145.13
80-90	173.76
90-100	146.93
100-110	101.14
110-120	57.57
120-130	29.68
130-140	20.91
140-150	17.7
150-160	11.35
160-170	3.97
170-180	.68

COEFFICIENTS OF UTILIZATION

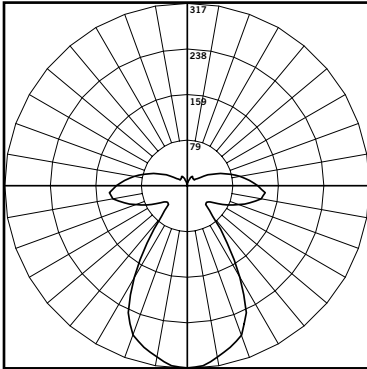
RC RW	80				70				50			30			10			0
	70	50	30	10	70	50	30	10	50	30	10	50	30	10	50	30	10	0
0	71	71	71	71	68	68	68	68	62	62	62	57	57	57	52	52	52	50
1	64	60	57	54	61	58	55	52	53	50	48	48	46	45	44	43	41	39
2	58	53	48	45	55	51	47	43	46	43	40	43	40	38	39	37	35	33
3	53	47	42	38	51	45	41	37	42	38	35	38	35	33	35	33	31	29
4	49	42	37	33	47	41	36	32	38	34	30	35	31	29	32	29	27	25
5	46	38	33	29	44	37	32	28	34	30	27	32	28	26	30	27	24	23
6	43	35	30	26	41	34	29	25	31	27	24	29	26	23	27	24	22	21
7	40	32	27	23	38	31	26	23	29	25	22	27	24	21	25	22	20	19
8	37	30	25	21	36	29	24	21	27	23	20	25	22	19	24	21	18	17
9	35	27	23	19	34	27	22	19	25	21	18	23	20	18	22	19	17	16
10	33	25	21	18	32	25	20	18	23	20	17	22	19	16	21	18	16	15

TOOL T8 BAFFLE

TYPE _____
PROJECT _____

PHOTOMETRICS

TLB-1T817



CANDELA DISTRIBUTION

	0	45	90
0	315.9	315.9	315.9
5	314.1	314.7	316.6
15	290.1	287.9	286.1
25	242.6	252.1	231.5
35	121.3	196.2	162.6
45	56.4	99.4	86.3
55	49.0	39.9	34.1
65	78.4	32.8	12.2
75	113.0	44.8	4.7
85	135.8	56.6	1.7
95	109.0	48.7	0.2
105	78.0	32.1	0.3
115	47.7	15.5	0.4
125	21.6	10.1	0.8
135	15.5	11.8	1.1
145	17.2	12.7	1.3
155	17.4	9.1	1.5
165	8.3	4.7	1.8
175	2.8	2.1	2.1

LUMINAIRE

Description: Tool T8 1x17w with Baffle
Catalog Number: TLB-1T817-120-PEN
Efficiency: 62.2%
Distribution: 80.4% direct, 19.6% indirect

LUMINANCE (Candela/sq meter)

ANGLE	0-DEG	45-DEG	90-DEG
45	1049	2247	1951
55	1366	1112	950
65	2966	1241	461
75	6979	2767	290
85	24908	10382	312

ZONAL LUMEN SUMMARY

ZONE	LUMENS	% LAMP	% FIXT
0 - 30	222.37	18.5	29.8
0 - 40	327.83	27.3	43.9
0 - 60	440.22	36.7	59
0 - 90	600.04	50	80.4
90 - 120	114.65	9.6	15.4
90 - 130	125.78	10.5	16.9
90 - 150	140.25	11.7	18.8
90 - 180	146.26	12.2	19.6
0 - 180	746.3	62.2	100

ZONAL LUMEN SUMMARY

ZONE	LUMENS
0-10	29.67
10-20	81.06
20-30	111.64
30-40	105.46
40-50	70.15
50-60	42.24
60-70	40.21
70-80	54.43
80-90	65.18
90-100	55.09
100-110	37.94
110-120	21.61
120-130	11.13
130-140	7.84
140-150	6.64
150-160	4.26
160-170	1.49
170-180	.26

COEFFICIENTS OF UTILIZATION

RC RW	80				70				50			30			10			0
	70	50	30	10	70	50	30	10	50	30	10	50	30	10	50	30	10	0
0	71	71	71	71	68	68	68	68	62	62	62	57	57	57	52	52	52	50
1	64	60	57	54	61	58	55	52	53	50	48	48	46	45	44	43	41	39
2	58	53	48	45	55	51	47	43	46	43	40	43	40	38	39	37	35	33
3	53	47	42	38	51	45	41	37	42	38	35	38	35	33	35	33	31	29
4	49	42	37	33	47	41	36	32	38	34	30	35	31	29	32	29	27	25
5	46	38	33	29	44	37	32	28	34	30	27	32	28	26	30	27	24	23
6	43	35	30	26	41	34	29	25	31	27	24	29	26	23	27	24	22	21
7	40	32	27	23	38	31	26	23	29	25	22	27	24	21	25	22	20	19
8	37	30	25	21	36	29	24	21	27	23	20	25	22	19	24	21	18	17
9	35	27	23	19	34	27	22	19	25	21	18	23	20	18	22	19	17	16
10	33	25	21	18	32	25	20	18	23	20	17	22	19	16	21	18	16	15