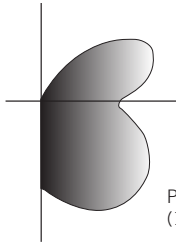


# TOOL T5 MICROPERF LOUVER



Photometric Drawing for  
(1) T5M-1T528

TYPE \_\_\_\_\_ PROJECT \_\_\_\_\_



## CATALOG NUMBER

FIXTURE		LAMPING (SEE CROSS SECTION)	VOLTAGE	MOUNT	OPTIONS
<b>T5M</b>	Tool T5 (microperf louver)	<b>1T528</b> 1x28w T5	<b>120</b> 120 v	<b>PEN</b> Pendant mount	<b>FUS</b> Fusing
		<b>1T521</b> 1x21w T5	<b>277</b> 277 v	<b>CLG</b> Ceiling mount	
		<b>1T514</b> 1x14w T5		<b>WAL</b> Wall mount	

### \* DETAILS – OPTIONS

**FUS** GLR fuse for each ballast

## SPECIFICATIONS

**Construction.** Fixture body constructed of extruded aluminum. Housing endcaps are formed aluminum and lampholder endcaps are milled aluminum.

**Shielding.** Anodized aluminum shield with perforation.

**Finish.** Natural anodized aluminum.

**Electrical.** Specify 120 or 277 volts. Fixture is UL/CUL Listed for damp locations. Supplied with integral electronic ballast.

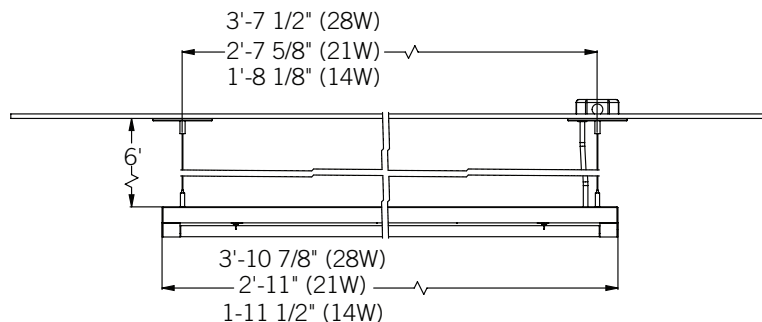
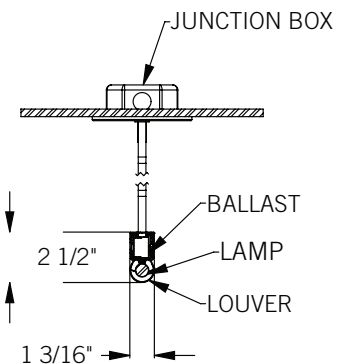
**Lamping.** (1) 28 watt T5 or (1) 21 watt T5 or (1) 14 watt T5 fluorescent lamp. Lamp not included.

**Mounting.** Fixture surface mounts over standard octagonal junction box on the ceiling, or over Energie junction box (included) on the wall. Fixture can also be pendant mounted. See page 2 for additional mounting options and accessories.

**ADA COMPLIANT.**

## DIMENSIONS & DETAILS (cont'd on page 2)

### PENDANT MOUNT



Installation instructions may be found at [www.energielighting.com](http://www.energielighting.com).



Energie LLC, 4885 Ward Road, Suite 300, Wheat Ridge CO 80033 Tel 720.963.8055 Fax 720.963.8044 [www.energielighting.com](http://www.energielighting.com)  
In an effort to continually improve our products, we reserve the right to change or modify designs and/or materials without prior notice.  
All rights reserved. These products may be covered by one or more U.S. or international patents or patents pending. 07/10

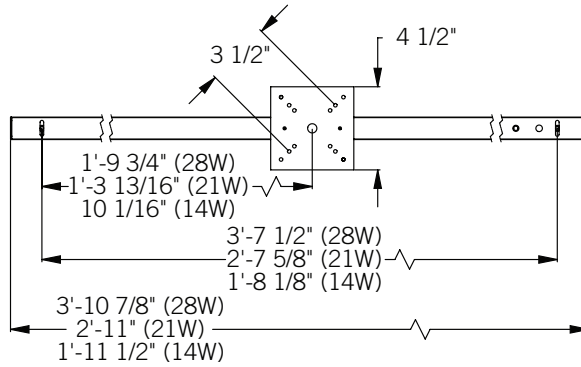
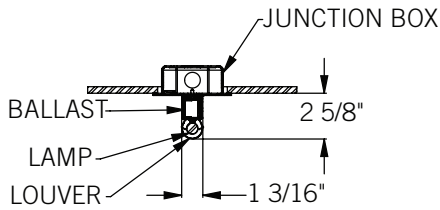


# TOOL T5 MICROPERF LOUVER

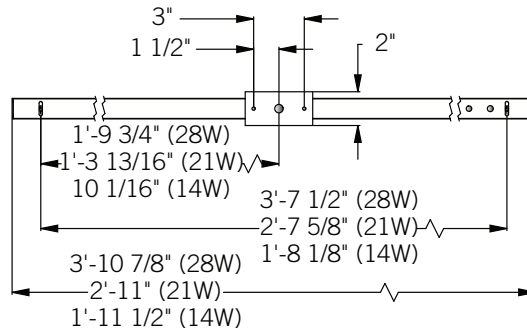
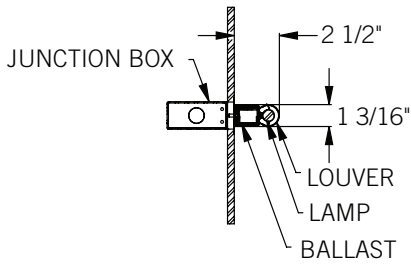
TYPE \_\_\_\_\_  
PROJECT \_\_\_\_\_

## DIMENSIONS & DETAILS cont'd

### CEILING MOUNT



### WALL MOUNT



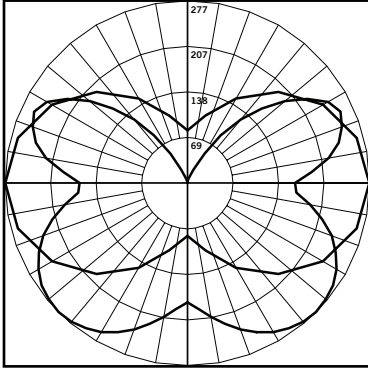
Installation instructions may be found at [www.energielighting.com](http://www.energielighting.com).

# TOOL T5 MICROPERF LOUVER

TYPE \_\_\_\_\_  
PROJECT \_\_\_\_\_

## PHOTOMETRICS

T5M-1T528



### CANDELA DISTRIBUTION

	0	45	90
0	181.1	18.1	181.1
5	191.7	186.2	178.2
15	221.2	198.8	166.6
25	249.2	206.2	144.0
35	268.7	205.0	112.9
45	276.6	195.4	79.8
55	270.2	178.7	47.7
65	248.7	155.9	20.9
75	211.8	125.4	8.0
85	166.4	82.2	1.9
95	189.3	103.3	0.1
105	238.1	146.2	0.1
115	256.8	149.2	0.0
125	222.4	117.8	0.0
135	160.1	73.4	0.0
145	88.5	25.4	0.0
155	23.1	8.1	0.0
165	6.5	3.5	0.0
175	0.8	0.4	0.0

### LUMINAIRE

**Description:** Tool T5 1x28W with Microperf Louver

**Catalog Number:** T5M-1T528-120-CLG

**Efficiency:** 59%

**Distribution:** 62.5% direct, 37.5% indirect

### LUMINANCE (Candela/sq meter)

ANGLE	0-DEG	45-DEG	90-DEG
45	3470	3012	2946
55	3240	2699	2124
65	2941	2378	1220
75	2547	1994	708
85	2100	1409	372

### ZONAL LUMEN SUMMARY

ZONE	LUMENS	% LAMP	% FIXT
0 - 30	167.17	6.4	10.9
0 - 40	292.01	11.2	19
0 - 60	590.43	22.7	38.5
0 - 90	958.78	36.9	62.5
90-120	386.29	14.9	25.2
90 - 130	486.31	18.7	31.7
90 - 150	568.03	21.8	37
90 - 180	574.51	22.1	37.5
0 - 180	1533.3	59	100

### ZONAL LUMEN SUMMARY

ZONE	LUMENS
0-10	17.87
10-20	55.83
20-30	93.47
30-40	124.83
40-50	145.57
50-60	152.86
60-70	146.25
70-80	125.98
80-90	96.12
90-100	111.04
100-110	140.42
110-120	134.83
120-130	100.03
130-140	58.17
140-150	23.55
150-160	5.39
160-170	1.02
170-180	.07

### COEFFICIENTS OF UTILIZATION

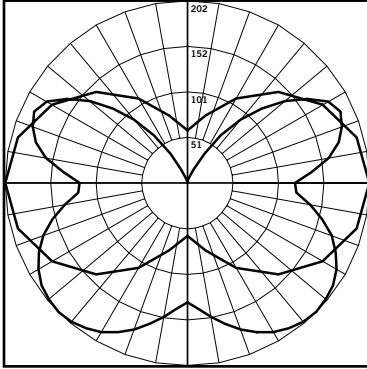
RC RW	80				70				50			30			10			0
	70	50	30	10	70	50	30	10	50	30	10	50	30	10	50	30	10	0
0	65	65	65	65	61	61	61	61	53	53	53	46	46	46	40	40	40	37
1	57	54	51	48	54	51	48	45	44	42	40	38	36	35	32	31	30	27
2	52	46	42	38	48	43	39	36	37	34	32	32	30	28	27	25	24	21
3	47	40	35	31	43	37	33	29	32	29	26	28	25	22	24	21	19	17
4	42	35	30	25	39	33	28	24	28	24	21	24	21	19	21	18	16	14
5	39	31	25	21	36	29	24	20	25	21	18	22	18	16	18	16	14	12
6	35	27	22	18	33	26	21	17	22	18	15	19	16	14	17	14	12	10
7	33	25	19	16	30	23	18	15	20	16	13	18	14	12	15	12	10	9
8	30	22	17	14	28	21	16	13	18	15	12	16	13	10	14	11	9	8
9	28	20	15	12	26	19	15	12	17	13	10	15	11	9	13	10	8	7
10	26	19	14	11	24	17	13	10	15	12	9	13	10	8	12	9	7	6

# TOOL T5 MICROPERF LOUVER

TYPE \_\_\_\_\_  
PROJECT \_\_\_\_\_

## PHOTOMETRICS

T5M-1T521



### CANDELA DISTRIBUTION

	0	45	90
0	132.3	132.3	132.3
5	140.1	136.1	130.2
15	161.6	145.3	121.7
25	182.1	150.7	105.3
35	196.3	149.8	82.5
45	202.1	142.8	58.3
55	197.5	130.6	34.9
65	181.7	113.9	15.3
75	154.8	91.7	5.9
85	121.6	60.1	1.4
95	138.3	75.5	0.1
105	174.0	106.9	0.0
115	187.7	109.0	0.0
125	162.5	86.1	0.0
135	117.0	53.6	0.0
145	64.7	18.6	0.0
155	16.8	5.9	0.0
165	4.8	2.5	0.0
175	0.6	0.3	0.0

### LUMINAIRE

**Description:** Tool T5 1x21W with Microperf Louver

**Catalog Number:** T5M-1T521-120-CLG

**Efficiency:** 59%

**Distribution:** 62.5% direct, 37.5% indirect

### LUMINANCE (Candela/sq meter)

ANGLE	0-DEG	45-DEG	90-DEG
45	3395	2933	2833
55	3171	2626	2032
65	2877	2312	1155
75	2493	1938	662
85	2055	1369	325

### ZONAL LUMEN SUMMARY

ZONE	LUMENS	% LAMP	% FIXT
0 - 30	122.17	6.4	10.9
0 - 40	213.4	11.2	19
0 - 60	431.48	22.7	38.5
0 - 90	700.66	36.9	62.5
90-120	282.26	14.9	25.2
90 - 130	355.35	18.7	31.7
90 - 150	415.07	21.8	37
90 - 180	419.81	22.1	37.5
0 - 180	1120.47	59	100

### ZONAL LUMEN SUMMARY

ZONE	LUMENS
0-10	13.06
10-20	40.79
20-30	68.31
30-40	91.23
40-50	106.37
50-60	111.71
60-70	106.88
70-80	92.05
80-90	70.25
90-100	81.13
100-110	102.6
110-120	98.52
120-130	73.1
130-140	42.51
140-150	17.21
150-160	3.94
160-170	.74
170-180	.05

### COEFFICIENTS OF UTILIZATION

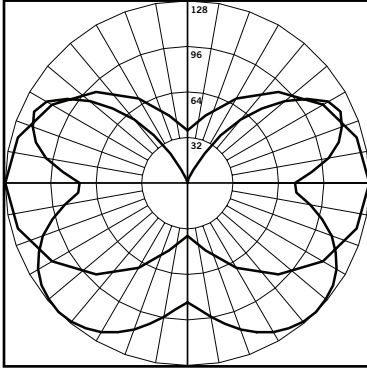
RC RW	80				70				50			30			10			0
	70	50	30	10	70	50	30	10	50	30	10	50	30	10	50	30	10	0
0	65	65	65	65	61	61	61	61	53	53	53	46	46	46	40	40	40	37
1	57	54	51	48	54	51	48	45	44	42	40	38	36	35	32	31	30	27
2	52	46	42	38	48	43	39	36	37	34	32	32	30	28	27	25	24	21
3	47	40	35	31	43	37	33	29	32	29	26	28	25	22	24	21	19	17
4	42	35	30	25	39	33	28	24	28	24	21	24	21	19	21	18	16	14
5	39	31	25	21	36	29	24	20	25	21	18	22	18	16	18	16	14	12
6	35	27	22	18	33	26	21	17	22	18	15	19	16	14	17	14	12	10
7	33	25	19	16	30	23	18	15	20	16	13	18	14	12	15	12	10	9
8	30	22	17	14	28	21	16	13	18	15	12	16	13	10	14	11	9	8
9	28	20	15	12	26	19	15	12	17	13	10	15	11	9	13	10	8	7
10	26	19	14	11	24	17	13	10	15	12	9	13	10	8	12	9	7	6

# TOOL T5 MICROPERF LOUVER

TYPE \_\_\_\_\_  
PROJECT \_\_\_\_\_

## PHOTOMETRICS

T5M-1T514



### CANDELA DISTRIBUTION

	0	45	90
0	83.6	83.6	83.6
5	88.5	86.0	82.3
15	102.1	91.7	76.9
25	115.0	95.2	66.5
35	124.0	94.6	52.1
45	127.6	90.2	36.8
55	124.7	82.5	22.0
65	114.8	72.0	9.7
75	97.8	57.9	3.7
85	76.8	37.9	0.9
95	87.4	47.7	0.0
105	109.9	67.5	0.0
115	118.5	68.9	0.0
125	102.6	54.4	0.0
135	73.9	33.9	0.0
145	40.8	11.7	0.0
155	10.6	3.7	0.0
165	3.0	1.6	0.0
175	0.4	0.2	0.0

### LUMINAIRE

**Description:** Tool T5 1x14W with Microperf Louver

**Catalog Number:** T5M-1T514-120-CLG

**Efficiency:** 59%

**Distribution:** 62.5% direct, 37.5% indirect

### LUMINANCE (Candela/sq meter)

ANGLE	0-DEG	45-DEG	90-DEG
45	3194	2733	2579
55	2983	2444	1825
65	2708	2150	1024
75	2346	1799	560
85	1934	1266	255

### ZONAL LUMEN SUMMARY

ZONE	LUMENS	% LAMP	% FIXT
0 - 30	77.16	6.4	10.9
0 - 40	134.77	11.2	19
0 - 60	272.5	22.7	38.5
0 - 90	442.51	36.9	62.5
90-120	178.26	14.9	25.2
90 - 130	224.42	18.7	31.7
90 - 150	262.14	21.8	37
90 - 180	265.13	22.1	37.5
0 - 180	707.64	59	100

### ZONAL LUMEN SUMMARY

ZONE	LUMENS
0-10	8.25
10-20	25.77
20-30	43.14
30-40	57.61
40-50	67.18
50-60	70.55
60-70	67.51
70-80	58.14
80-90	44.37
90-100	51.23
100-110	64.8
110-120	62.23
120-130	46.16
130-140	26.86
140-150	10.86
150-160	2.49
160-170	.47
170-180	.03

### COEFFICIENTS OF UTILIZATION

RC RW	80				70				50			30			10			0
	70	50	30	10	70	50	30	10	50	30	10	50	30	10	50	30	10	0
0	65	65	65	65	61	61	61	61	53	53	53	46	46	46	40	40	40	37
1	57	54	51	48	54	51	48	45	44	42	40	38	36	35	32	31	30	27
2	52	46	42	38	48	43	39	36	37	34	32	32	30	28	27	25	24	21
3	47	40	35	31	43	37	33	29	32	29	26	28	25	22	24	21	19	17
4	42	35	30	25	39	33	28	24	28	24	21	24	21	19	21	18	16	14
5	39	31	25	21	36	29	24	20	25	21	18	22	18	16	18	16	14	12
6	35	27	22	18	33	26	21	17	22	18	15	19	16	14	17	14	12	10
7	33	25	19	16	30	23	18	15	20	16	13	18	14	12	15	12	10	9
8	30	22	17	14	28	21	16	13	18	15	12	16	13	10	14	11	9	8
9	28	20	15	12	26	19	15	12	17	13	10	15	11	9	13	10	8	7
10	26	19	14	11	24	17	13	10	15	12	9	13	10	8	12	9	7	6