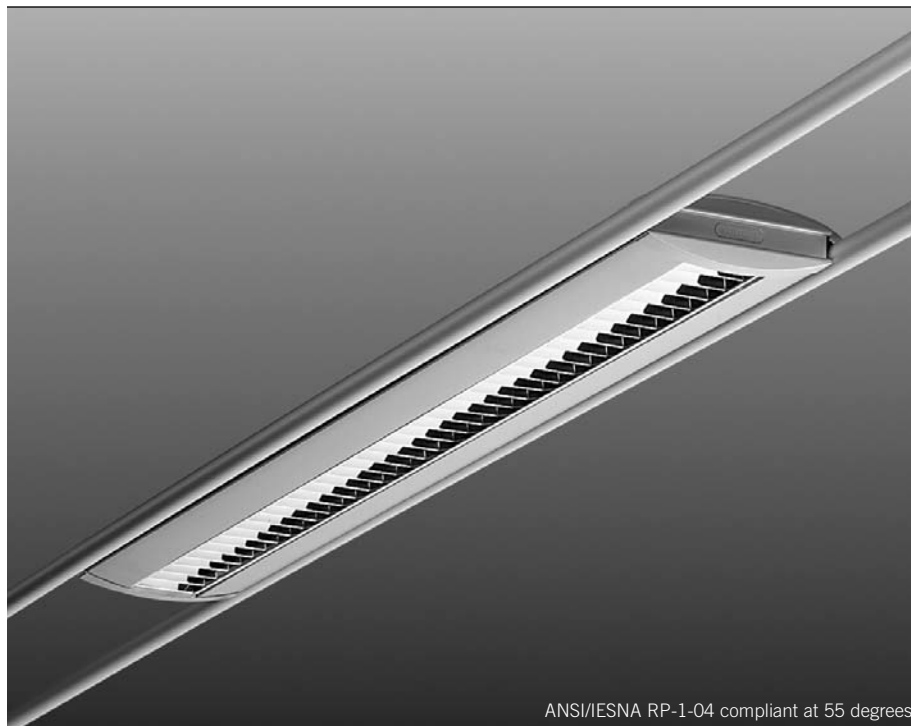


T200 INDIRECT/DIRECT



ANSI/IESNA RP-1-04 compliant at 55 degrees

Catalog Number

FIXTURE

T200 - T200 system

MODULE

IND - Indirect / Direct

LAMPING

1T528 - (1) 28 watt T5 lamp

2T528 - (2) 28 watt T5 lamps

2T554 - (2) 54 watt T5 high output lamps

VOLTAGE

120 - 120 Volt

277 - 277 Volt

EXAMPLE: T200-IND-2T554-120

Specifications

CONSTRUCTION

Main body of fixture constructed of extruded aluminum alloy. End caps constructed of high pressure injection molded polycarbonate. Tubes are extruded aluminum.

SHIELDING

Specular parabolic louver. T5HO louver is covered by slotted steel shield (see reverse for detail).

FINISH

Extruded body finished with steel gray roughened finish.

ELECTRICAL

Specify 120 volt or 277 volt. Fixture and all electrical components are U.L./C.U.L. damp location listed. Fixture is supplied with internal electronic ballast.

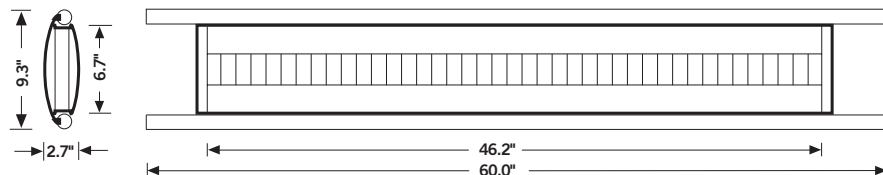
LAMPING

Specify either 28W T5 lamps (non-shielded) or 54W high output T5 lamps (shielded). Lamp(s) not included.

MOUNTING

Fixture mounts to T200 tube system with supplied internal tube-joiner sleeve. See ordering guide for detail on system specification.

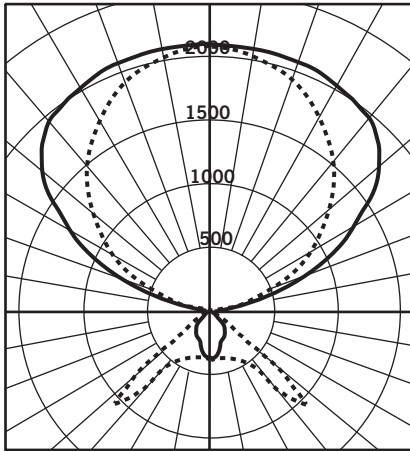
Dimensions



T200 INDIRECT/DIRECT



Photometrics



CANDELA DISTRIBUTION

	0	45	90
0	375	375	375
5	368	368	378
15	282	313	398
25	234	288	423
35	193	341	527
45	126	326	1059
55	36	91	104
65	4	15	4
75	1	2	3
85	1	1	2
95	62	76	100
105	525	563	387
115	1089	1082	735
125	1557	1516	1070
135	1892	1790	1380
145	2002	1894	1638
155	2071	2002	1842
165	2071	2041	1980
175	2072	2057	2049
180	2052	2052	2052

LUMINAIRE

Description: T200 Indirect / Direct with (2) T5 high output lamps.

Catalog Number: T200-IND-2T554-120

Efficiency: 90.8%

Distribution: 86% indirect, 14% direct
ANSI/IESNA RP-1-04 compliant at 55 degrees.

ZONAL LUMEN SUMMARY

ZONE	LUMENS	% LAMP	% FIXT
0 - 30	283.3	3.2	3.5
0 - 40	550.3	6.2	6.8
0 - 60	1095.3	12.3	13.6
60 - 90	19.0	0.2	0.2
0 - 90	1114.3	12.5	13.8
90 - 180	6967.1	78.3	86.2
0 - 180	8081.4	90.8	100

LUMINANCE (Candela / sq meter)

ANGLE	0-DEG	45-DEG	90-DEG
45	8967	8967	18135
55	5890	5890	2194
65	258	258	110
75	88	88	125
85	234	234	275

COEFFICIENTS OF UTILIZATION

PCC PW RCR	80				70				50			10			0
	70	50	30	10	70	50	30	10	50	30	10	50	30	10	10
0	.89	.89	.89	.89	.78	.78	.78	.78	.57	.57	.57	.21	.21	.21	.13
1	.82	.78	.75	.72	.71	.69	.66	.64	.51	.49	.47	.19	.18	.18	.11
2	.75	.68	.63	.59	.65	.60	.56	.52	.44	.42	.40	.17	.16	.16	.10
3	.68	.60	.54	.49	.59	.53	.48	.44	.39	.36	.33	.15	.14	.13	.08
4	.62	.53	.47	.42	.54	.47	.41	.37	.35	.31	.28	.13	.12	.12	.07
5	.57	.47	.40	.35	.50	.42	.36	.32	.31	.27	.24	.12	.11	.10	.06
6	.52	.42	.35	.30	.46	.37	.31	.27	.28	.24	.21	.11	.10	.09	.06
7	.48	.38	.31	.26	.42	.33	.28	.24	.25	.21	.18	.10	.09	.08	.05
8	.44	.34	.27	.23	.39	.30	.24	.21	.23	.19	.16	.09	.08	.07	.04
9	.41	.31	.24	.20	.36	.27	.22	.18	.20	.17	.14	.08	.04	.06	.04

Details

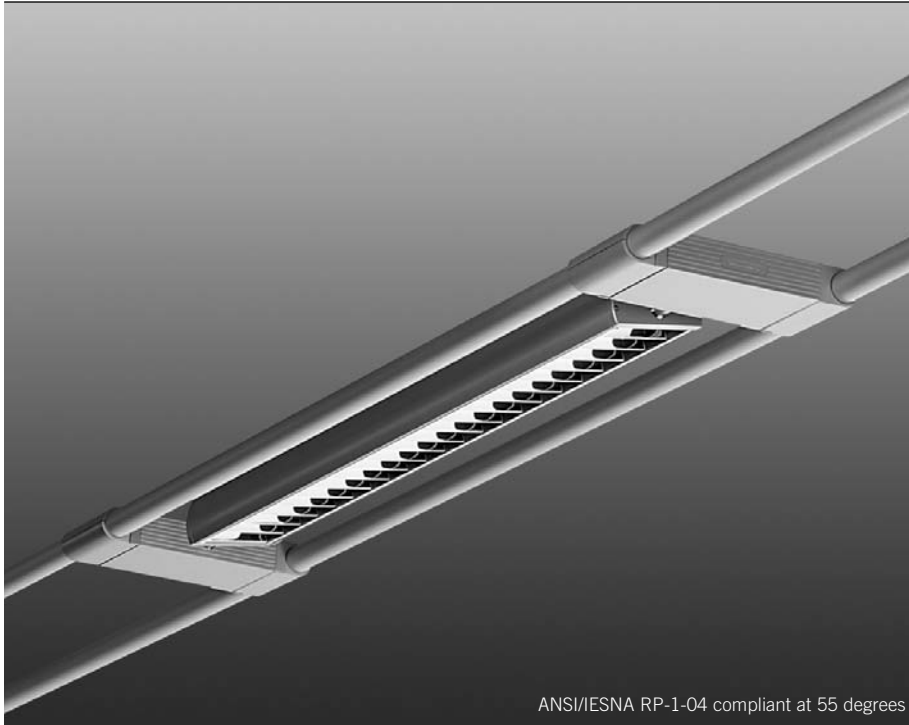


LOUVER SHIELDING

When using T5HO lamps, louver is shielded by slotted metal strip to prevent overhead glare. Light is dispersed through the slots in the shielding and reflected off the louver for maximum comfort and glare control.

Installation instructions may be found at www.energielighting.com.

T200 LINEAR AIMABLE



ANSI/IESNA RP-1-04 compliant at 55 degrees

Catalog Number

FIXTURE

T200 - T200 system

MODULE

LAM - Linear Aimable Fluorescent

LAMPING

1T528 - (1) 28W T5 lamp

2T528 - (2) 28W T5 lamps

VOLTAGE

120 - 120 Volt

277 - 277 Volt

EXAMPLE: T200-LAM-1T528-120

Specifications

CONSTRUCTION

Luminaire body and side tubes are extruded aluminum. End caps constructed of high pressure injection molded polycarbonate. Top of fixture is open for indirect component. Fixture body is rotateable through a 50 degree angle from vertical.

SHIELDING

Lamp is shielded by a direct / indirect louver with specular parabolic baffle.

FINISH

Luminaire body and endcaps are finished in steel-gray roughened finish.

ELECTRICAL

Specify 120 volt or 277 volt. Fixture and all electrical components are U.L./C.U.L. damp location listed. Fixture is supplied with internal electronic ballast.

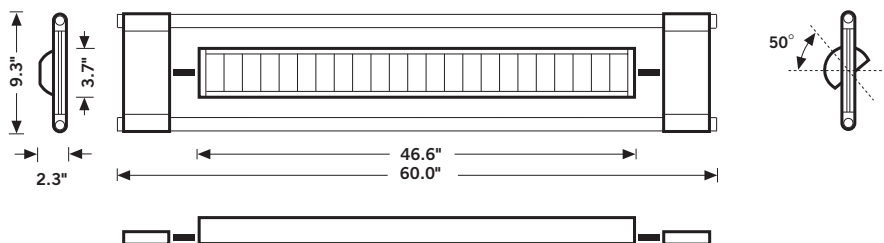
LAMPING

Specify either (1) or (2) 28W T5 fluorescent lamp(s). Lamp(s) are not included.

MOUNTING

Fixture mounts to T200 tube system with included internal tube-joiner sleeve. See ordering guide for detail on system specification.

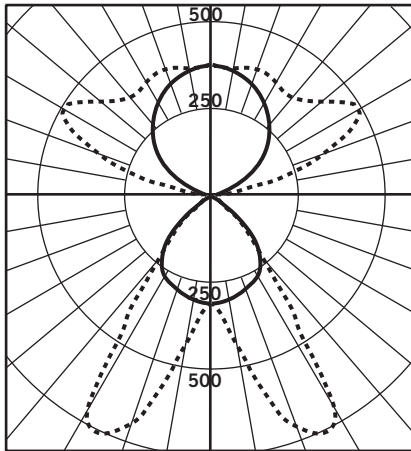
Dimensions



T200 LINEAR AIMABLE



Photometrics



CANDELA DISTRIBUTION

	0	45	90
0	307	307	307
5	348	328	304
15	603	464	297
25	757	636	280
35	396	575	251
45	103	254	195
55	8	51	53
65	1	2	1
75	0	1	1
85	0	0	1
95	29	42	19
105	235	244	56
115	453	340	114
125	473	291	174
135	382	295	233
145	357	333	284
155	381	357	327
165	380	363	357
175	372	370	371
180	371	371	371

LUMINAIRE

Description: T200 Linear Aimable with one 28 watt T5 lamp.

Catalog Number: T200-LAM-1T528-120

Efficiency: 97%

Distribution: 62% indirect, 38% direct
ANSI/IESNA RP-1-04 compliant at 55 degrees.

ZONAL LUMEN SUMMARY

ZONE	LUMENS	% LAMP	% FIXT
0 - 30	427.9	16.5	17.0
0 - 40	716.9	27.6	28.4
0 - 60	945.0	36.3	37.5
60 - 90	4.1	0.2	0.2
0 - 90	949.2	36.5	37.6
90 - 180	1572.0	60.5	62.4
0 - 180	2521.1	97.0	100

LUMINANCE (Candela / sq meter)

ANGLE	0-DEG	45-DEG	90-DEG
45	1736	4305	3293
55	164	1072	1106
65	27	49	28
75	22	26	35
85	43	64	82

COEFFICIENTS OF UTILIZATION

PCC	80				70				50			10			0
	70	50	30	10	70	50	30	10	50	30	10	50	30	10	10
RCR															
0	1.01	1.01	1.01	1.01	.92	.92	.92	.92	.74	.74	.74	.58	.58	.58	.37
1	.93	.90	.87	.84	.85	.82	.79	.77	.67	.65	.63	.53	.52	.51	.33
2	.86	.80	.75	.70	.78	.73	.69	.65	.60	.57	.55	.48	.46	.45	.30
3	.79	.71	.65	.60	.72	.65	.60	.56	.54	.50	.47	.44	.41	.39	.27
4	.73	.64	.57	.52	.66	.59	.53	.48	.49	.45	.41	.40	.37	.35	.24
5	.68	.57	.50	.45	.61	.53	.47	.42	.44	.40	.36	.36	.33	.31	.22
6	.62	.52	.45	.40	.57	.48	.42	.37	.40	.36	.32	.33	.30	.27	.20
7	.58	.47	.40	.35	.53	.43	.37	.33	.37	.32	.29	.30	.27	.24	.18
8	.54	.43	.36	.31	.49	.40	.33	.29	.33	.29	.26	.28	.24	.22	.16
9	.50	.39	.32	.28	.46	.36	.30	.26	.31	.26	.23	.26	.22	.20	.15

Installation instructions may be found at www.energielighting.com.

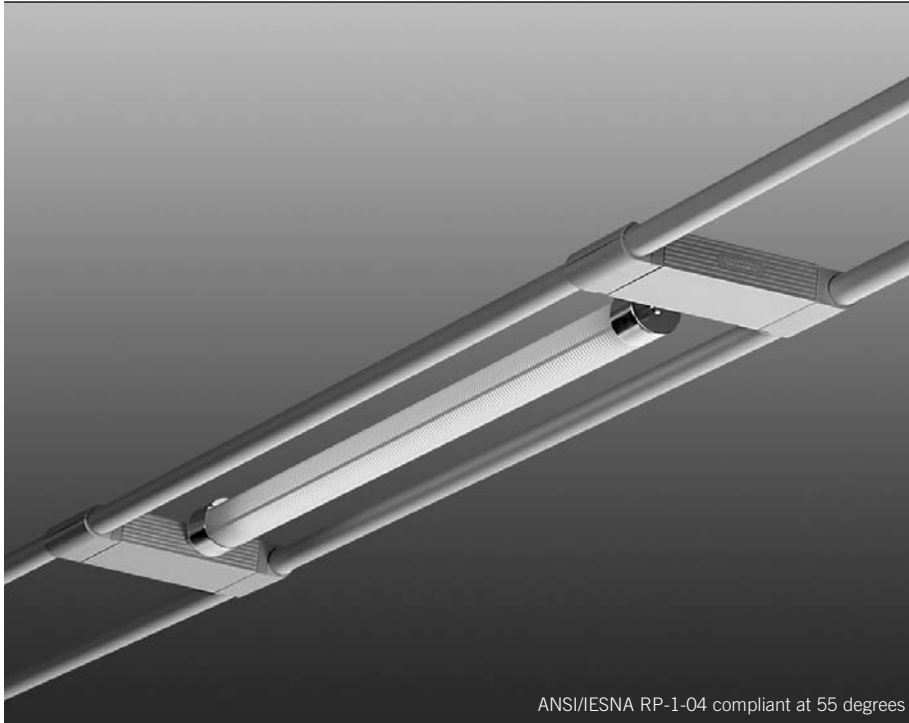
Energie LLC, 15000 W. 6th Avenue, Ste. 202A, Golden, CO 80401 Tel 720 963 8055 Fax 720 963 8044 www.energielighting.com

In an effort to continually improve our products, we reserve the right to change or modify designs and/or materials without prior notice.

All rights reserved. These products may be covered by one or more U.S. or international patents or patents pending. 05/06



T200 CYLINDER



ANSI/IESNA RP-1-04 compliant at 55 degrees

Catalog Number

FIXTURE

T200 - T200 system

MODULE

LIC - Linear Cylinder Diffuser

VOLTAGE

120 - 120 Volt

277 - 277 Volt

EXAMPLE: T200-LIC-120

Specifications

CONSTRUCTION

End caps constructed of high pressure injection molded polycarbonate. Tubes are extruded aluminum.

SHIELDING

Lamp is shielded by a fixed cylindrical diffuser / reflector system. See reverse for detail.

FINISH

Endcaps finished with steel gray roughened finish. Cylinder anchors are in chrome finish.

ELECTRICAL

Specify 120 volt or 277 volt. Fixture and all electrical components are U.L./C.U.L. damp location listed. Fixture is supplied with internal electronic ballast.

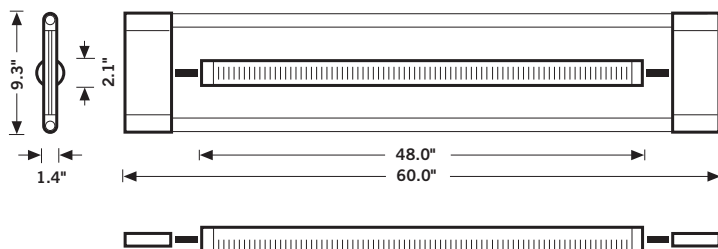
LAMPING

Single 28W T5 fluorescent lamp. Lamp not included.

MOUNTING

Fixture mounts to T200 tube system with included internal tube-joiner sleeve. See ordering guide for detail on system specification.

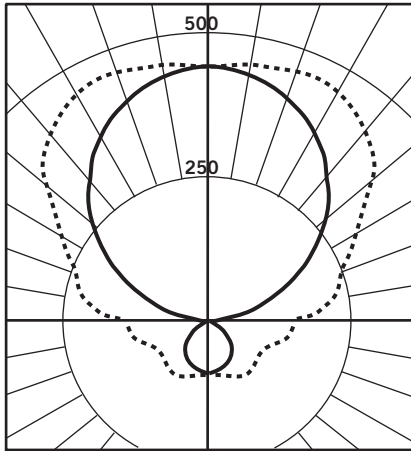
Dimensions



T200 CYLINDER



Photometrics



CANDELA DISTRIBUTION

	0	45	90
0	92	92	92
5	94	93	92
15	98	94	88
25	106	95	82
35	112	94	73
45	113	90	61
55	111	84	47
65	111	77	33
75	128	75	19
85	155	95	8
95	178	124	17
105	250	157	88
115	269	227	164
125	330	317	234
135	411	374	301
145	443	418	356
155	465	427	398
165	448	441	425
175	444	440	439
180	440	440	440

LUMINAIRE

Description: T200 Linear Cylinder with one 28 watt T5 lamp.

Catalog Number: T200-LIC-120

Efficiency: 85.6%

Distribution: 76% indirect, 24% direct
ANSI/IESNA RP-1-04 compliant at 55 degrees.

ZONAL LUMEN SUMMARY

ZONE	LUMENS	% LAMP	% FIXT
0 - 30	79.0	3.0	3.6
0 - 40	137.4	5.3	6.2
0 - 60	278.8	10.7	12.5
60 - 90	248.3	9.5	11.2
0 - 90	527.1	20.3	23.7
90 - 180	1697.9	65.3	76.3
0 - 180	2225.0	85.6	100

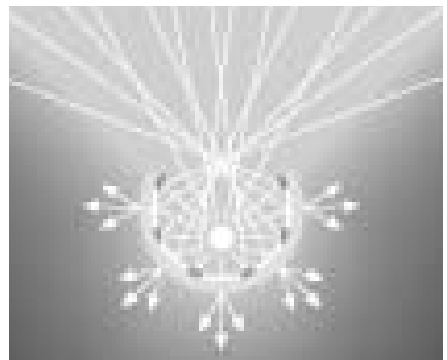
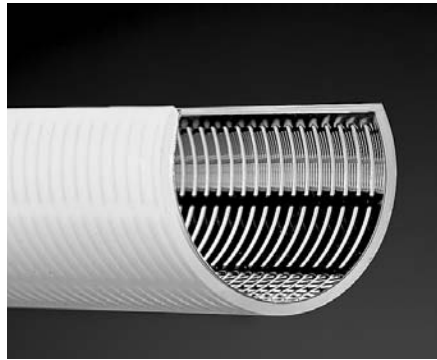
LUMINANCE (Candela / sq meter)

ANGLE	0-DEG	45-DEG	90-DEG
45	764	626	456
55	880	687	432
65	1104	805	405
75	1790	1125	365
85	3817	2670	399

COEFFICIENTS OF UTILIZATION

PCC	80				70				50			10			0
	70	50	30	10	70	50	30	10	50	30	10	50	30	10	10
RCR															
0	.86	.86	.86	.86	.77	.77	.77	.77	.59	.59	.59	.42	.42	.42	.20
1	.77	.73	.69	.65	.68	.64	.61	.58	.49	.47	.45	.35	.33	.32	.14
2	.70	.63	.57	.52	.61	.56	.51	.47	.42	.39	.36	.30	.27	.25	.01
3	.63	.55	.48	.43	.55	.48	.43	.38	.37	.33	.29	.26	.23	.21	.08
4	.57	.48	.41	.36	.50	.43	.37	.32	.32	.28	.25	.23	.20	.18	.07
5	.52	.42	.35	.30	.46	.38	.32	.27	.29	.24	.21	.20	.17	.15	.06
6	.48	.38	.31	.26	.42	.34	.28	.23	.26	.21	.18	.18	.15	.13	.05
7	.44	.34	.27	.22	.39	.30	.24	.20	.23	.19	.16	.16	.13	.11	.04
8	.43	.31	.24	.19	.36	.27	.21	.17	.21	.17	.14	.15	.12	.10	.04
9	.38	.28	.21	.17	.34	.25	.19	.15	.19	.15	.12	.13	.11	.09	.03

Details



LINEAR CYLINDER DIFFUSER / REFLECTOR

Fixed cylindrical shielding mechanism serves as both a diffuser and a reflector. Tube is specular on the inside, and diffuse white on the outside.

Tube features a slot perforation which allows a light transmission of approximately 10%. Tube is approximately 2" in diameter.

Installation instructions may be found at www.energielighting.com.

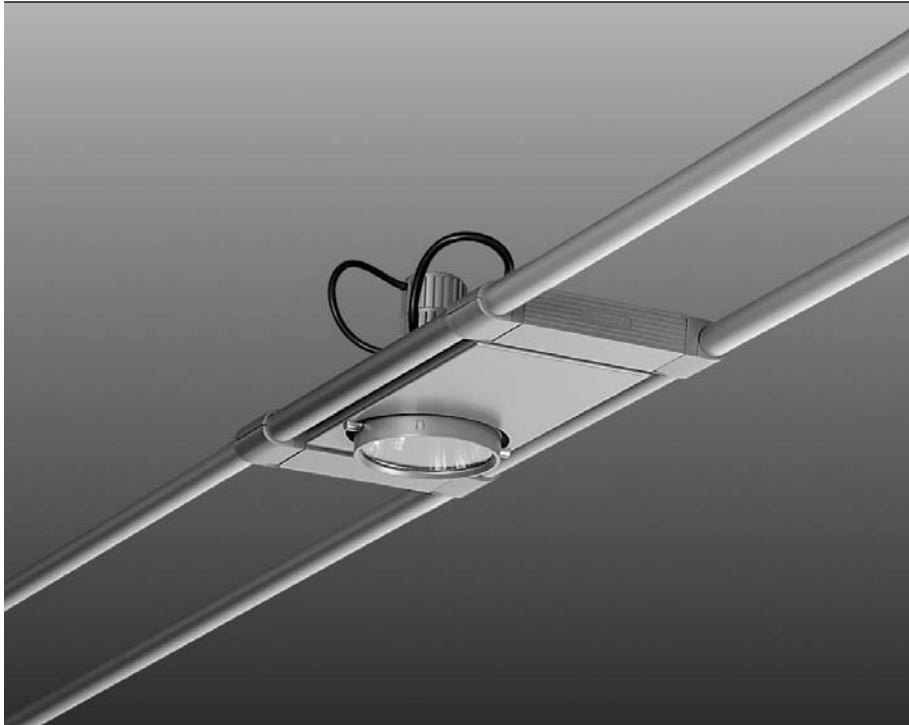
Energie LLC, 15000 W. 6th Avenue, Ste. 202A, Golden, CO 80401 Tel 720 963 8055 Fax 720 963 8044 www.energielighting.com

In an effort to continually improve our products, we reserve the right to change or modify designs and/or materials without prior notice.

All rights reserved. These products may be covered by one or more U.S. or international patents or patents pending. 05/06

energie®

T200 METAL HALIDE



Catalog Number

FIXTURE

T200 - T200 system

MODULE

MHS - Metal Halide Spotlight

LAMPING

39 - 39 Watt Metal Halide

70 - 70 Watt Metal Halide

VOLTAGE

120 - 120 Volt

277 - 277 Volt

EXAMPLE: T200-MHS-39-120

Specifications

CONSTRUCTION

Main body of fixture constructed of steel. End caps constructed of high pressure injection molded polycarbonate.

SHIELDING

Fixture equipped with heat-resistant glass cover.

FINISH

Steel body finished with steel gray roughened finish. Tubes are anodized aluminum.

ELECTRICAL

Specify 120 volt or 277 volt. Fixture and all electrical components are U.L./C.U.L. listed. Fixture is supplied with internal electronic ballast.

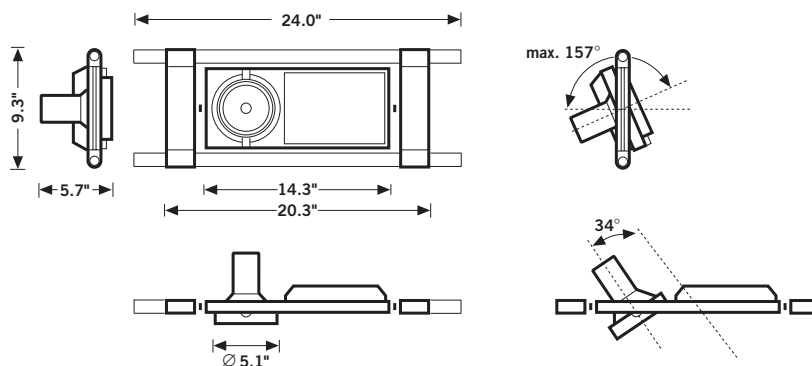
LAMPING

Specify either 39 watt or 70 watt T6 metal halide lamp with G12 base. Lamp not included.

MOUNTING

Fixture mounts to T200 tube system with included internal tube-joiner sleeve. See ordering guide for detail on system specification.

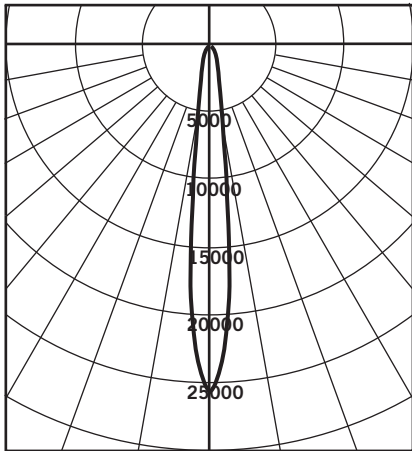
Dimensions



T200 METAL HALIDE



Photometrics



LUMINAIRE

Description: T200 Metal Halide spotlight with 39 watt lamp.

Catalog Number: T200-MHS-39-120

Efficiency: 71.2%

ZONAL LUMEN SUMMARY

ZONE	LUMENS	% LAMP	% FIXT
0 - 30	2228.2	65.5	92.0
0 - 40	2363.5	69.5	97.6
0 - 60	2422.2	71.2	100
60 - 90	0.0	0.0	0.0
0 - 90	2422.2	71.2	100
90 - 180	0.0	0.0	0.0
0 - 180	2422.2	71.2	100

COEFFICIENTS OF UTILIZATION

PCC PW RCR	80				70				50			10			0
	70	50	30	10	70	50	30	10	50	30	10	50	30	10	0
0	.85	.85	.85	.85	.83	.83	.83	.83	.79	.79	.79	.73	.73	.73	.71
1	.82	.81	.79	.78	.80	.79	.78	.77	.76	.75	.75	.71	.71	.70	.69
2	.79	.77	.75	.73	.78	.76	.74	.72	.74	.72	.71	.70	.69	.68	.67
3	.77	.74	.71	.69	.76	.73	.71	.69	.71	.69	.68	.68	.67	.66	.65
4	.75	.71	.68	.66	.74	.70	.68	.66	.69	.67	.65	.67	.65	.66	.63
5	.73	.69	.66	.64	.72	.68	.66	.64	.67	.65	.63	.65	.63	.62	.61
6	.71	.67	.64	.62	.70	.66	.63	.61	.65	.63	.61	.63	.62	.60	.60
7	.69	.65	.62	.60	.68	.64	.62	.60	.63	.61	.59	.62	.60	.59	.58
8	.67	.63	.60	.58	.67	.62	.60	.58	.62	.59	.58	.61	.59	.57	.57
9	.66	.61	.58	.57	.65	.61	.58	.57	.60	.58	.56	.59	.57	.56	.55
10	.64	.60	.57	.55	.64	.59	.57	.55	.59	.57	.55	.58	.56	.55	.54

Installation instructions may be found at www.energielighting.com.

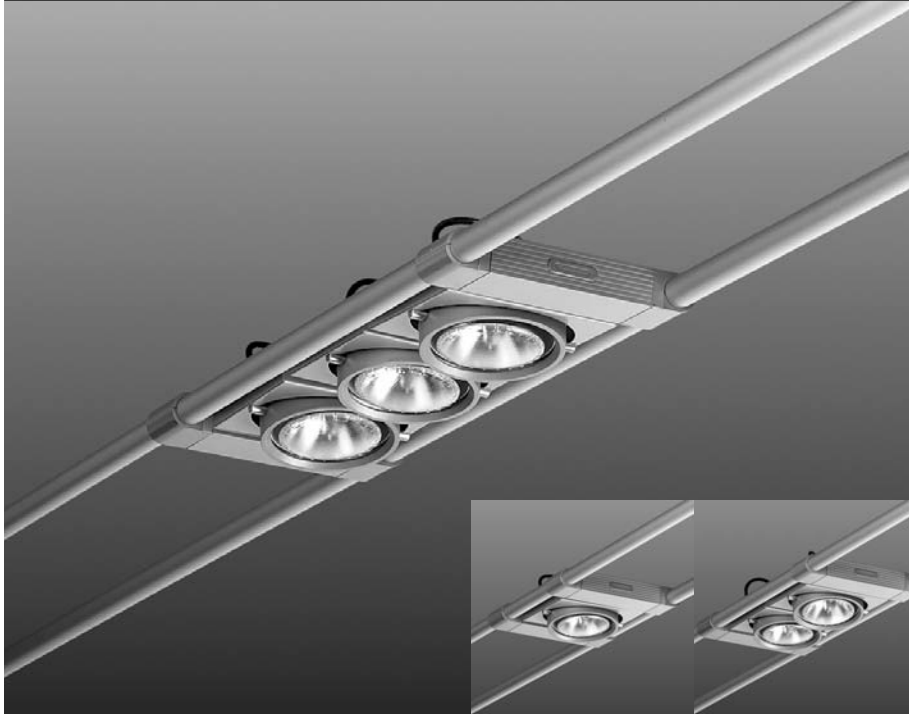
Energie LLC, 15000 W. 6th Avenue, Ste. 202A, Golden, CO 80401 Tel 720 963 8055 Fax 720 963 8044 www.energielighting.com

In an effort to continually improve our products, we reserve the right to change or modify designs and/or materials without prior notice.

All rights reserved. These products may be covered by one or more U.S. or international patents or patents pending. 05/06

énergie®

T200 PAR



Catalog Number

FIXTURE

T200 - T200 system

MODULE

PAR1 - Single head PAR reflector
 PAR2 - Double head PAR reflector
 PAR3 - Triple head PAR reflector

EXAMPLE: T200-PAR1

Specifications

CONSTRUCTION

Main body of fixture is constructed of steel. End caps constructed of high pressure injection molded polycarbonate.

FINISH

Steel body finished with steel gray roughened finish.

ELECTRICAL

120 volt only. Fixture and all electrical components are U.L./C.U.L. listed.

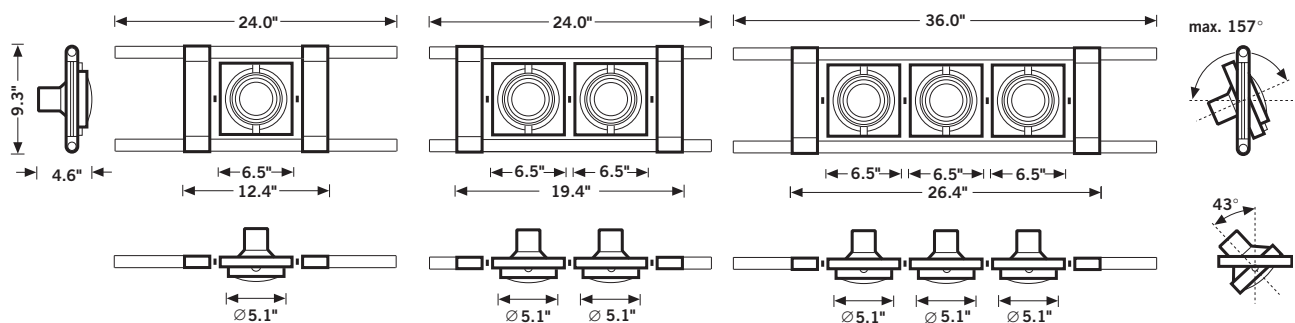
LAMPING

PAR30 lamp(s) with a 75 watt maximum. Lamp(s) not included.

MOUNTING

Fixture mounts to T200 tube system with supplied internal tube-joiner sleeve. See ordering guide for detail on system specification.

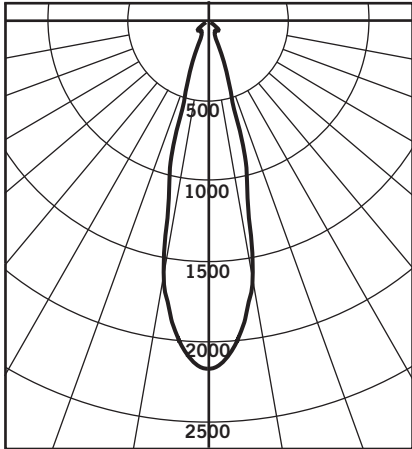
Dimensions



T200 PAR



Photometrics



LUMINAIRE

Description: T200 PAR single spotlight with 75 watt lamp and 30° beam spread.

Catalog Number: T200-PAR1

Efficiency: 85.7%

ZONAL LUMEN SUMMARY

ZONE	LUMENS	% LAMP	% FIXT
0 - 30	487.3	63.3	73.9
0 - 40	531.3	69.0	80.5
0 - 60	644.0	83.6	97.6
60 - 90	15.8	2.0	2.4
0 - 90	659.8	85.7	100
90 - 180	0.0	0.0	0.0
0 - 180	659.8	85.7	100

COEFFICIENTS OF UTILIZATION

PCC PW RCR	80				70				50			10			0
	70	50	30	10	70	50	30	10	50	30	10	50	30	10	0
0	1.02	1.02	1.02	1.02	1.00	1.00	1.00	1.00	.95	.95	.95	.87	.87	.87	.86
1	.97	.95	.93	.91	.95	.93	.91	.90	.90	.88	.87	.84	.83	.82	.80
2	.93	.89	.85	.83	.91	.87	.84	.82	.85	.82	.80	.80	.78	.77	.75
3	.89	.83	.79	.76	.87	.82	.78	.75	.80	.77	.74	.76	.74	.72	.71
4	.85	.78	.74	.71	.83	.78	.73	.70	.76	.72	.69	.72	.70	.68	.67
5	.81	.74	.70	.66	.80	.74	.69	.66	.72	.68	.65	.69	.67	.64	.63
6	.78	.71	.66	.63	.77	.70	.66	.62	.69	.65	.62	.67	.64	.61	.60
7	.75	.68	.63	.60	.74	.67	.63	.60	.66	.62	.59	.64	.61	.59	.57
8	.72	.65	.60	.57	.71	.64	.60	.57	.63	.59	.57	.62	.59	.56	.55
9	.70	.62	.58	.55	.69	.62	.58	.55	.61	.57	.55	.60	.57	.54	.53
10	.67	.60	.56	.53	.67	.60	.56	.53	.59	.55	.53	.58	.55	.52	.51

Installation instructions may be found at www.energielighting.com.

Energie LLC, 15000 W. 6th Avenue, Ste. 202A, Golden, CO 80401 Tel 720 963 8055 Fax 720 963 8044 www.energielighting.com

In an effort to continually improve our products, we reserve the right to change or modify designs and/or materials without prior notice.

All rights reserved. These products may be covered by one or more U.S. or international patents or patents pending. 05/06

energie®

T200 CONNECTOR



Catalog Number

FIXTURE

T200 - T200 system

CONNECTOR

CNR - 90 degree corner connector
T - "T" shaped connector

EXAMPLE: T200-CNR

Specifications

CONSTRUCTION

Connector piece is constructed of injection molded plastic. Tube extensions are extruded aluminum. Connectors are supplied as a kit with all necessary hardware.

FINISH

Connector is chrome finish. Tube extensions are anodized aluminum.

ELECTRICAL

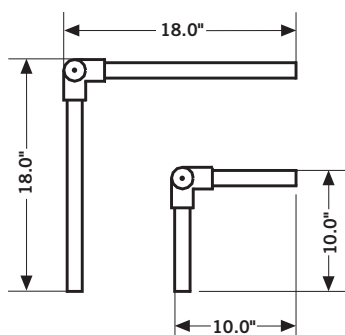
Connector and all electrical components are U.L./C.U.L. approved for use with T200 system.

MOUNTING

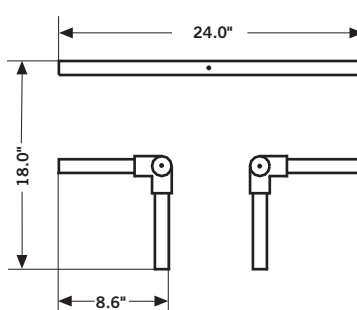
Connector mounts to T200 tube system with supplied internal tube-joiner sleeve. All connectors are supplied with 72" fully adjustable mounting cables and hardware. See ordering guide for detail on system specification.

Dimensions

90° CORNER CONNECTOR KIT



T CONNECTOR KIT



T200 SPACER TUBES



Catalog Number

— **FIXTURE**
T200 - T200 system

— **TUBE**
SPT-1 - 1' spacer tube pair
SPT-2 - 2' spacer tube pair
SPT-3 - 3' spacer tube pair

EXAMPLE: T200-SPT-1

Specifications

CONSTRUCTION

Tubes are constructed of extruded aluminum and have a diameter of 1.1". Tubes and covers are supplied as a pair. Tube covers are extruded plastic.

FINISH

Tubes are anodized aluminum and can be field cut.

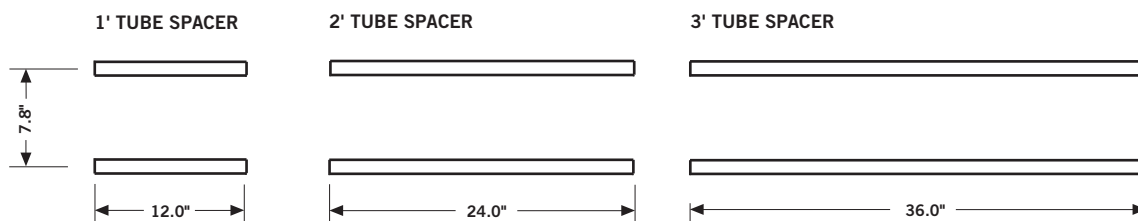
ELECTRICAL

Tube and all electrical components are U.L./C.U.L. approved for use with T200 system.

MOUNTING

Tubes mount to other T200 tube system components with supplied internal tube-joiner sleeve. See ordering guide for detail on system specification.

Dimensions



Installation instructions may be found at www.energielighting.com.

Energie LLC, 15000 W. 6th Avenue, Ste. 202A, Golden, CO 80401 Tel 720 963 8055 Fax 720 963 8044 www.energielighting.com

In an effort to continually improve our products, we reserve the right to change or modify designs and/or materials without prior notice.

All rights reserved. These products may be covered by one or more U.S. or international patents or patents pending. 05/06

énergie®