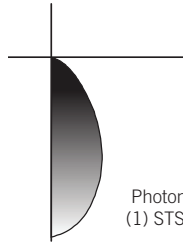
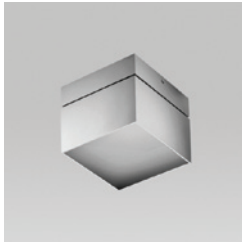


STALACTITE SQUARE LARGE



Photometric Drawing for
(1) STSL-277-WHW

TYPE _____ PROJECT _____



CATALOG NUMBER

FIXTURE		COLOR	VOLTAGE	
STRL	Stalactite Square Large	WHW Warm White LED (3000K)	120	120 v

SPECIFICATIONS

Construction. Fixture body and LED housing constructed of extruded aluminum with a decorative reveal.

Shielding. Internal reflector to maximize fixture efficiency with a frosted acrylic lens for optimum diffusion of the LED chips.

Finish. Fixture finished in proprietary thermopainted matte silver.

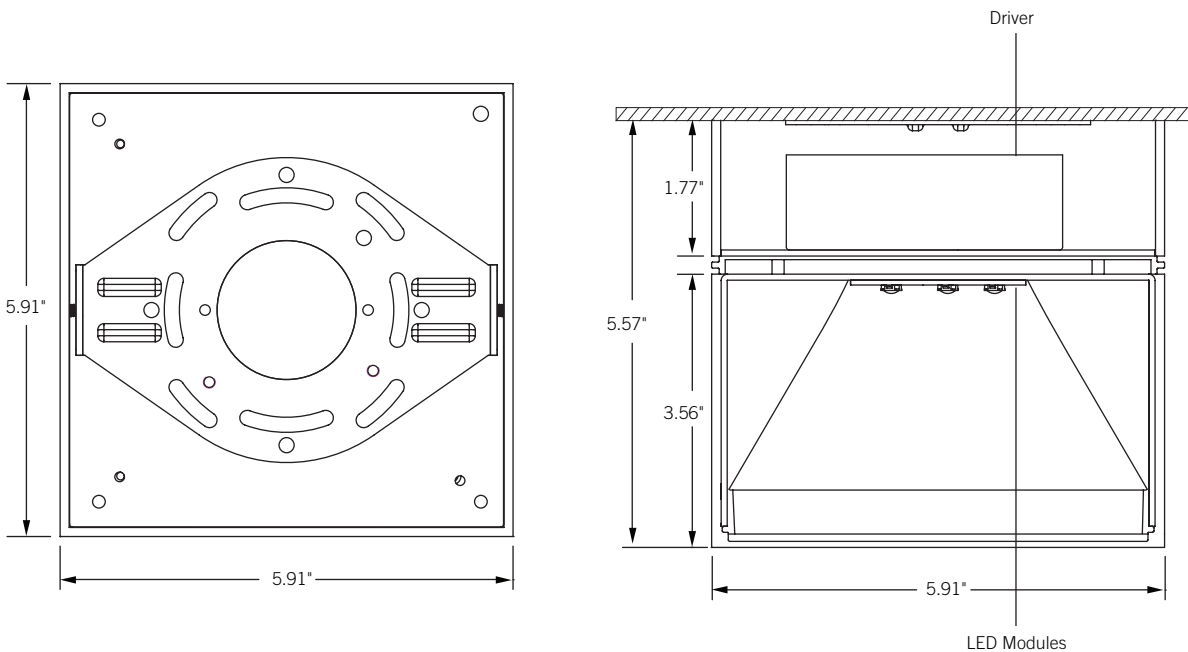
Electrical. Fixture is available in 120 volts. Fixture is UL Listed. Supplied with an integral 18W LED driver.

Lamping. (15) 1.2W Osram Oslon chips.

Mounting. Fixture surface mounts over a standard octagonal junction box on the ceiling or wall. See installation instructions for more detail.

Warranty. 5 years. LED rated life is 50,000 hours to 70% of lumen output.

DIMENSIONS & DETAILS



Installation instructions may be found at www.energelighting.com.

Tons:™

Energie LLC, 4885 Ward Road, Ste. 300, Wheat Ridge, CO 80033 Tel 720.963.8055 Fax 720.963.8044 www.energelighting.com
In an effort to continually improve our products, we reserve the right to change or modify designs and/or materials without prior notice.
All rights reserved. These products may be covered by one or more U.S. or international patents or patents pending. 05/13

énergie®

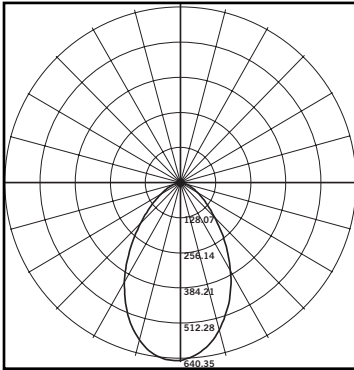
STALACTITE SQUARE LARGE

TYPE _____

PROJECT _____

PHOTOMETRICS

STSL-277-WHW-FL _____



LUMINAIRE

Description: Stalactite Square Large

Catalog Number: STSL-277-WHW-FL

Initial Lumens: 1225

Fixture Lumens: 972

Efficiency: 79%

Distribution: 100% direct, 0% indirect

CRI: > 80

CANDELA DISTRIBUTION

	0	30	60	90	120	150	180
0	637.7	637.7	637.7	637.7	637.7	637.7	637.7
5	624.0	622.1	620.6	620.2	633.8	636.1	636.5
15	551.1	549.9	546.4	546.4	575.9	579.8	582.5
25	435.4	435.4	434.3	431.6	469.6	474.6	474.6
35	300.0	308.5	305.0	297.7	343.1	341.1	337.6
45	178.1	192.5	187.8	178.1	220.4	215.4	208.8
55	98.6	107.5	105.2	98.6	126.9	123.0	115.7
65	50.1	55.5	53.6	51.2	67.1	64.8	60.9
75	17.9	20.6	20.6	19.4	28.7	27.2	26.8
85	0.0	0.0	0.0	0.0	2.3	1.9	1.6
90	0.0	0.0	0.0	0.0	0.0	0.0	0.0

LUMINANCE (Candela/sq meter)

ANGLE	0-DEG	90-DEG
45	14233	14233
55	9710	9710
65	6848	6693
75	4236	3897

COEFFICIENTS OF UTILIZATION

RC RW	80			70			50			30			10			0
	50	30	10	50	30	10	50	30	10	50	30	10	50	30	10	0
0	94	94	94	92	92	92	88	88	88	84	84	84	81	81	81	79
1	87	86	85	86	85	84	83	81	80	78	77	76	73	72	70	66
2	77	76	75	77	75	73	74	72	70	71	69	66	67	64	62	58
3	69	67	66	68	66	65	67	64	62	64	61	59	61	58	55	52
4	62	60	59	62	59	57	60	57	55	59	55	52	56	52	49	46
5	56	54	53	56	53	52	55	52	49	54	50	47	52	48	44	41
6	50	49	47	51	48	46	50	47	44	49	45	42	48	44	40	37
7	46	44	43	46	44	42	46	43	40	46	41	38	45	40	36	34
8	42	40	39	42	40	39	43	39	37	42	38	35	42	37	33	31
9	39	37	36	39	37	35	39	36	34	39	35	32	39	34	31	28
10	36	34	33	36	34	33	37	33	31	37	33	30	37	32	28	26