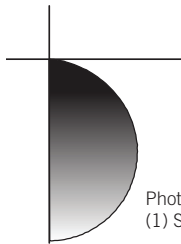


STALACTITE ROUND SMALL

TYPE _____ PROJECT _____



Photometric Drawing for
(1) STRS-WHW-120



CATALOG NUMBER

FIXTURE		COLOR	VOLTAGE	
STRS	Stalactite Round Small	WHW Warm White LED (3000K)	120	120 v

SPECIFICATIONS

Construction. Fixture body and LED housing are constructed of extruded aluminum with a decorative reveal.

Shielding. Frosted acrylic lens with integral spread beam lenses for each LED chip for optimum diffusion of the LED chips.

Finish. Fixture is finished in proprietary thermopainted matte silver, RAL 9006.

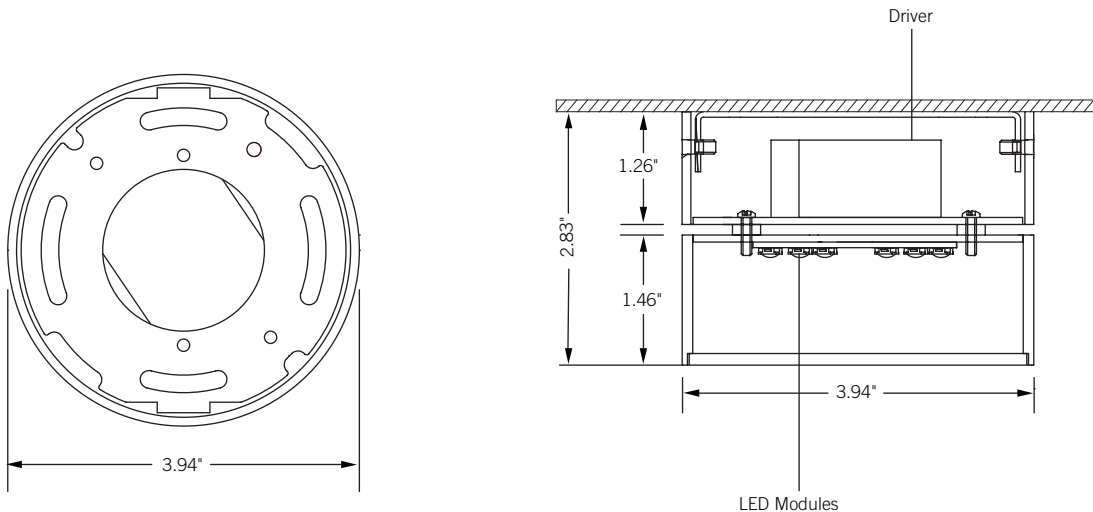
Electrical. Fixture is available in 120 volts. Fixture is UL/CUL Listed. Supplied with an integral 9W LED driver.

Lamping. (6) 1.2W Osram Oslon chips.

Mounting. Fixture surface mounts over an Énergie junction box on the ceiling or wall. See installation instructions for more detail. **ADA Compliant** (if wall mounted).

Warranty. 5 years. LED rated life is 50,000 hours to 70% of lumen output.

DIMENSIONS & DETAILS



Installation instructions may be found at www.energielighting.com.

Tons:™

Energie LLC, 4885 Ward Road, Ste. 300, Wheat Ridge, CO 80033 Tel 720.963.8055 Fax 720.963.8044 www.energielighting.com
In an effort to continually improve our products, we reserve the right to change or modify designs and/or materials without prior notice.
All rights reserved. These products may be covered by one or more U.S. or international patents or patents pending. 05/13

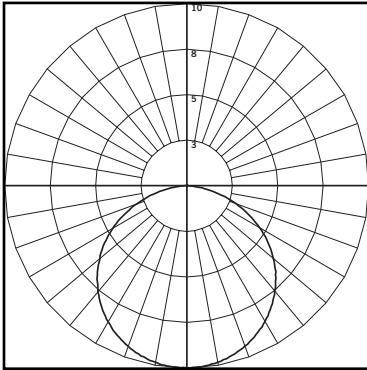
énergie®

STALACTITE ROUND SMALL

TYPE _____
PROJECT _____

PHOTOMETRICS

STRS-WHW-120



LUMINAIRE

Description: Stalactite Round Small
Catalog Number: STRS-WHW-120
Initial Lumens: 490
Fixture Lumens: 111
Efficiency: 23%
Distribution: 100% direct, 0% indirect
CRI: > 80

CANDELA DISTRIBUTION

	0	30	60	90	120	150	180
0	10.1	10.1	10.1	10.1	10.1	10.1	10.1
5	10.0	10.0	10.0	10.0	10.0	10.0	10.0
15	9.7	9.7	9.6	9.6	9.8	9.8	9.8
25	9.0	9.0	9.0	8.9	9.1	9.2	9.1
35	8.1	8.1	8.1	8.0	8.2	8.3	8.3
45	6.9	6.8	6.8	6.7	7.0	7.1	7.1
55	5.4	5.3	5.4	5.3	5.6	5.7	5.6
65	3.7	3.7	3.7	3.6	3.9	4.0	3.9
75	2.0	1.9	1.9	1.8	2.0	2.2	2.1
85	0.4	0.3	0.4	0.3	0.5	0.5	0.5
90	0.0	0.0	0.0	0.0	0.0	0.0	0.0

LUMINANCE (Candela/sq meter)

ANGLE	0-DEG	45-DEG	90-DEG
45	655	649	641
55	531	526	517
65	391	384	375
75	226	220	211
85	52	46	38

COEFFICIENTS OF UTILIZATION

RC RW	80				70				50			30			10			0
	70	50	30	10	70	50	30	10	50	30	10	50	30	10	50	30	10	0
0	15	15	15	15	15	15	15	15	14	14	14	14	14	14	13	13	13	13
1	14	13	13	12	14	13	13	12	13	12	12	12	11	12	11	11	11	11
2	13	12	11	10	12	11	11	10	11	10	10	11	10	9	10	10	9	9
3	12	10	9	8	11	10	9	8	10	9	8	9	9	8	9	8	8	8
4	11	9	8	7	10	9	8	7	9	8	7	8	7	7	8	7	7	6
5	10	8	7	6	10	8	7	6	8	7	6	7	7	6	7	6	6	6
6	9	7	6	5	9	7	6	5	7	6	5	6	6	5	6	6	5	5
7	8	7	5	5	8	6	5	5	6	5	5	6	5	5	6	5	5	4
8	8	6	5	4	8	6	5	4	6	5	4	6	5	4	5	5	4	4
9	7	6	4	4	7	5	4	4	5	4	4	5	4	4	5	4	4	3
10	7	5	4	3	7	5	4	3	5	4	3	5	4	3	5	4	3	3