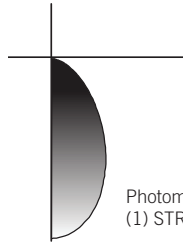


STALACTITE ROUND LARGE



Photometric Drawing for
(1) STRL-WHW-120

TYPE _____ PROJECT _____



CATALOG NUMBER

FIXTURE		COLOR	VOLTAGE	
STRL	Stalactite Round Large	WHW Warm White LED (3000K)	120	120V

SPECIFICATIONS

Construction. Fixture body and LED housing are constructed of extruded aluminum with a decorative reveal.

Shielding. Internal reflector to maximize fixture efficiency with a frosted acrylic lens for optimum diffusion of the LED chips.

Finish. Fixture is finished in proprietary thermopainted matte silver, RAL 9006.

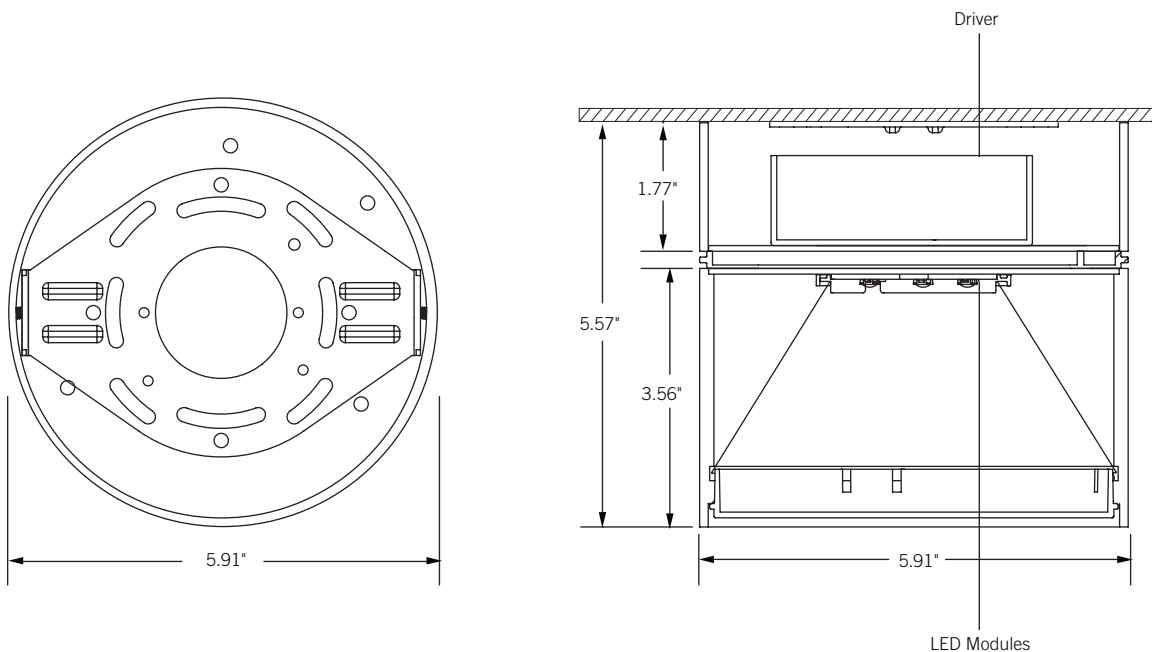
Electrical. Fixture is available in 120 volts. Fixture is UL Listed. Supplied with an integral 18W LED driver.

Lamping. (15) 1.2W Osram Oslon chips.

Mounting. Fixture surface mounts over a standard octagonal junction box on the ceiling or wall. See installation instructions for more detail.

Warranty. 5 years. LED rated life is 50,000 hours to 70% of lumen output.

DIMENSIONS & DETAILS



Installation instructions may be found at www.energielighting.com.

Tons:

Energie LLC, 4885 Ward Road, Ste. 300, Wheat Ridge, CO 80033 Tel 720.963.8055 Fax 720.963.8044 www.energielighting.com
In an effort to continually improve our products, we reserve the right to change or modify designs and/or materials without prior notice.
All rights reserved. These products may be covered by one or more U.S. or international patents or patents pending. 05/13

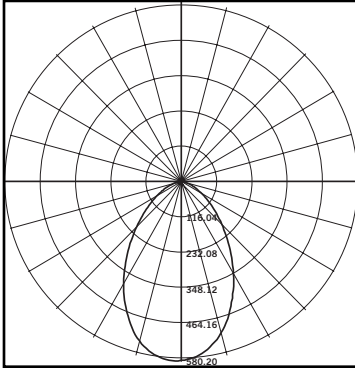
énergie®

STALACTITE ROUND LARGE

TYPE _____
PROJECT _____

PHOTOMETRICS

STRL-WHW-120



LUMINAIRE

Description: Stalactite Round Large
Catalog Number: STRL-WHW-120
Initial Lumens: 1225
Fixture Lumens: 916
Efficiency: 75%
Distribution: 100% direct, 0% indirect
CRI: > 80

CANDELA DISTRIBUTION

	0	30	60	90	120	150	180
0	577.3	577.3	577.3	577.3	577.3	577.3	577.3
5	568.9	567.8	567.4	567.8	569.7	570.9	572.0
15	512.3	510.3	507.6	505.7	521.2	521.6	523.5
25	407.9	404.8	402.4	400.5	423.4	425.7	426.5
35	291.1	286.8	285.6	285.6	307.8	308.1	312.4
45	186.3	183.2	182.8	182.0	200.6	200.3	203.7
55	108.3	107.5	106.3	105.6	119.1	118.4	120.7
65	55.1	55.5	55.1	54.3	63.3	62.9	64.0
75	18.6	19.8	19.0	19.4	25.6	25.2	25.6
85	0.0	0.0	0.0	0.0	0.8	0.8	0.4
90	0.0	0.0	0.0	0.0	0.0	0.0	0.0

LUMINANCE (Candela/sq meter)

ANGLE	0-DEG	90-DEG
45	14543	14884
55	10398	10665
65	7263	7367
75	4236	4066

COEFFICIENTS OF UTILIZATION

RC RW	80			70			50			30			10			0
	50	30	10	50	30	10	50	30	10	50	30	10	50	30	10	0
0	89	89	89	87	87	87	83	83	83	80	80	80	76	76	76	75
1	82	81	80	81	79	79	78	76	75	74	72	71	69	67	66	62
2	73	71	70	72	70	69	70	67	66	67	64	62	63	60	58	55
3	64	63	62	64	62	60	62	60	58	60	57	55	57	54	51	48
4	58	56	55	57	55	54	56	53	51	55	51	49	53	49	46	43
5	52	50	49	52	49	48	51	48	46	50	46	44	48	44	41	38
6	47	45	44	47	45	43	47	43	41	46	42	39	45	40	37	34
7	43	41	40	43	41	39	43	40	37	42	38	36	42	37	34	31
8	39	37	36	39	37	36	39	36	34	39	35	32	39	34	31	28
9	36	34	33	36	34	33	37	33	31	36	33	30	36	32	28	26
10	33	32	31	34	31	30	34	31	29	34	30	28	34	29	26	24