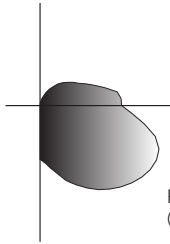
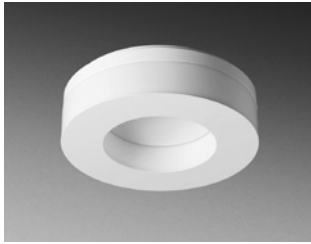


# POLARON<sup>22w</sup>



Photometric Drawing for  
(1) PLN-1T5C22

TYPE \_\_\_\_\_ PROJECT \_\_\_\_\_



CATALOG NUMBER (SEE PAGE 2 FOR MOUNTING HARDWARE)

FIXTURE		LAMPING (SEE CROSS SECTION)	VOLTAGE	OPTIONS
<b>PLN</b>	Polaron	<b>1T5C22</b> (1) 22w T5 circline	<b>120</b> 120 v <b>277</b> 277 v	<b>FUS</b> Fusing

**\* DETAILS – OPTIONS**

**FUS** GLR fuse for each ballast

## SPECIFICATIONS

**Construction.** Fixture body constructed of die-cast aluminum. Mounting enclosures made of drawn aluminum with steel bracketry.

**Shielding.** Circular diffuser of PMMA with a primary ring shield of steel.

**Finish.** Powdercoat in white.

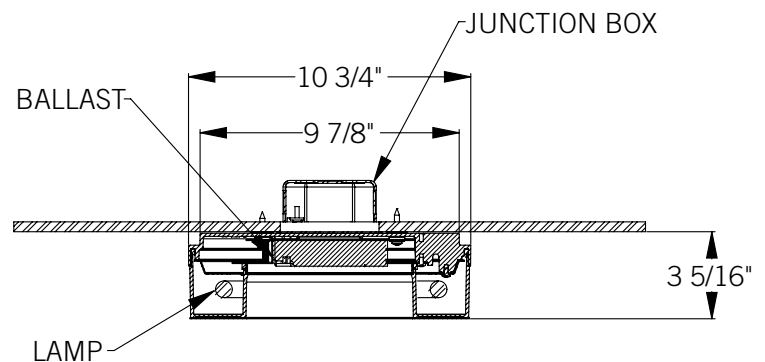
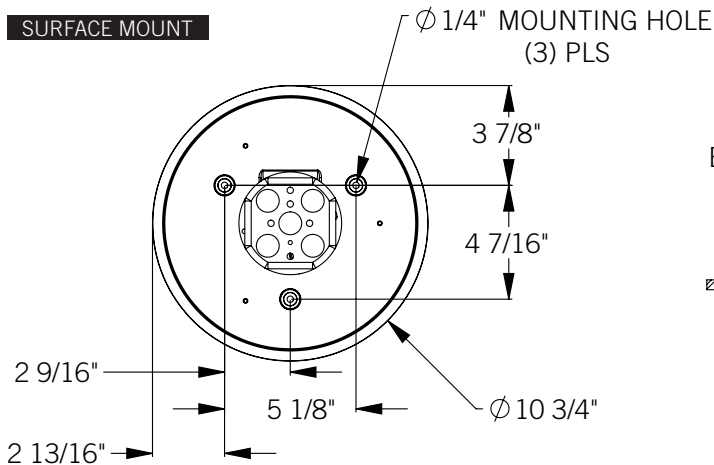
**Electrical.** Specify 120 or 277 volts. Fixture is UL/CUL Listed for damp locations. Supplied with integral electronic ballast.

**Lamping.** (1) 22 watt T5 circline fluorescent lamp. Lamp not included.

**Mounting.** Fixture surface mounts over standard octagonal junction box. See page 2 for additional mounting options and accessories.  
**ADA COMPLIANT.**

## DIMENSIONS & DETAILS

**SURFACE MOUNT**



Installation instructions may be found at [www.energielighting.com](http://www.energielighting.com).

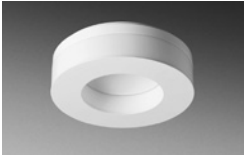


Energie LLC, 4885 Ward Road, Suite 300, Wheat Ridge CO 80033 Tel 720.963.8055 Fax 720.963.8044 [www.energielighting.com](http://www.energielighting.com)  
 In an effort to continually improve our products, we reserve the right to change or modify designs and/or materials without prior notice.  
 All rights reserved. These products may be covered by one or more U.S. or international patents or patents pending. 07/10

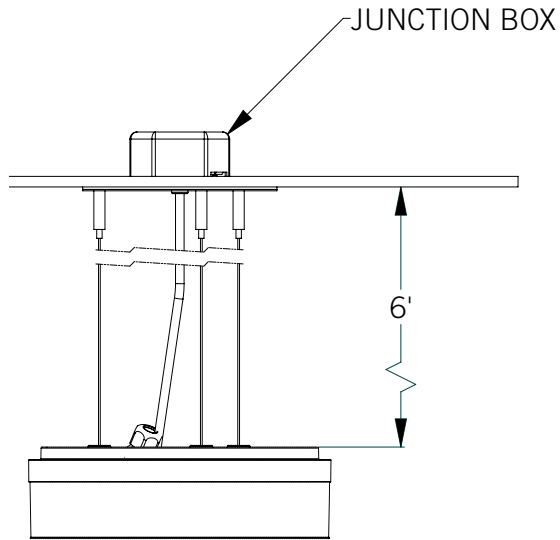
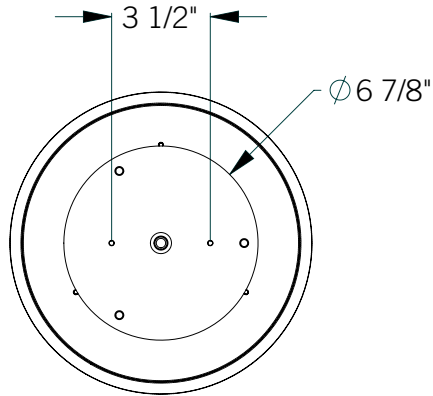


## MOUNTING HARDWARE

### PENDANT MOUNT



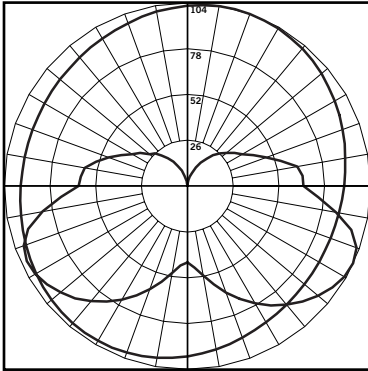
**PLN-PEN-T5C22**  
Pendant Kit for for 22w



Installation instructions may be found at [www.energielighting.com](http://www.energielighting.com).

## PHOTOMETRICS

PLN-1T5C22



### CANDELA DISTRIBUTION

	0	45	90
0	43.43	43.43	43.43
5	45.94	46.49	46.40
15	55.57	57.76	57.40
25	66.11	70.24	69.88
35	75.47	81.79	81.52
45	83.27	91.33	91.24
55	88.31	98.39	98.95
65	89.23	100.87	102.51
75	79.60	92.07	96.55
85	55.75	69.23	76.57
95	46.58	60.34	67.86
105	43.92	57.04	56.39
115	40.25	51.62	40.25
125	35.03	42.64	31.00
135	28.89	32.74	25.22
145	21.82	23.02	18.61
155	14.02	13.84	10.82
165	6.52	6.88	5.31
175	1.48	1.19	1.10

### LUMINAIRE

**Description:** Polaron 22W Surface Mount  
**Catalog Number:** PLN-1T5C22-120  
**Efficiency:** 42.6%  
**Distribution:** 67.3% direct, 32.7% indirect

### LUMINANCE (Candela/sq meter)

ANGLE	0-DEG	45-DEG	90-DEG
45	1384	1518	1516
55	1600	1783	1793
65	1839	2079	2113
75	1972	2281	2392
85	1798	2233	2470

### ZONAL LUMEN SUMMARY

ZONE	LUMENS	% LAMP	% FIXT
0 - 30	51.86	2.9	6.8
0 - 40	100.98	5.6	13.2
0 - 60	252.09	14	32.9
0 - 90	515.16	28.6	67.3
90 - 120	168.01	9.3	21.9
90 - 130	202.96	11.3	26.5
90 - 150	241.7	13.4	31.6
90 - 180	250.78	13.9	32.7
0 - 180	765.95	42.6	100

### ZONAL LUMEN SUMMARY

ZONE	LUMENS
0-10	4.51
10-20	16.02
20-30	31.33
30-40	49.13
40-50	67.36
50-60	83.75
60-70	94.74
70-80	92.95
80-90	75.38
90-100	64.43
100-110	57.35
110-120	46.23
120-130	34.95
130-140	24.23
140-150	14.51
150-160	6.83
160-170	2.05
170-180	.2

### COEFFICIENTS OF UTILIZATION

RC RW	80				70				50			30			10			0
	70	50	30	10	70	50	30	10	50	30	10	50	30	10	50	30	10	0
0	47	47	47	47	45	45	45	45	40	40	40	35	35	35	31	31	31	29
1	41	38	36	33	38	36	33	31	31	29	28	27	26	24	23	22	21	19
2	36	32	28	25	34	30	26	24	26	23	21	22	20	18	19	17	16	14
3	32	27	23	20	30	25	22	19	22	19	14	19	16	14	16	14	12	11
4	29	23	19	16	27	22	18	15	19	16	13	16	14	12	14	12	10	9
5	27	21	16	13	25	19	15	12	17	13	11	14	12	10	12	10	8	7
6	24	18	14	11	23	17	13	10	15	12	9	13	10	8	11	9	7	6
7	22	16	12	9	21	15	12	9	13	10	8	11	9	7	10	8	6	5
8	21	15	11	8	19	14	10	8	12	9	7	10	8	6	9	7	5	4
9	19	13	10	7	18	12	9	7	11	8	6	9	7	5	8	6	4	4
10	18	12	9	6	17	11	8	6	10	7	5	9	6	5	7	5	4	3