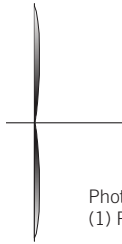


PILLAR ROUND DOUBLE



Photometric Drawing for
(1) PLRD-30D-WHW-120

TYPE _____ PROJECT _____



CATALOG NUMBER

FIXTURE		DISTRIBUTION		COLOR		VOLTAGE	
PLRD	Pillar Round Double	30D	30 degree lens	WHW	Warm White LED (3000K)	120	120 v

SPECIFICATIONS

Construction. Fixture body and LED housing are constructed of extruded aluminum.

Shielding. Integral 30 degree spread lens for maximum efficiency and optimization of the LED chips. In addition a painted black baffle is included to minimize high angle glare.

Finish. Fixture is finished in proprietary thermopainted matte silver, RAL 9006.

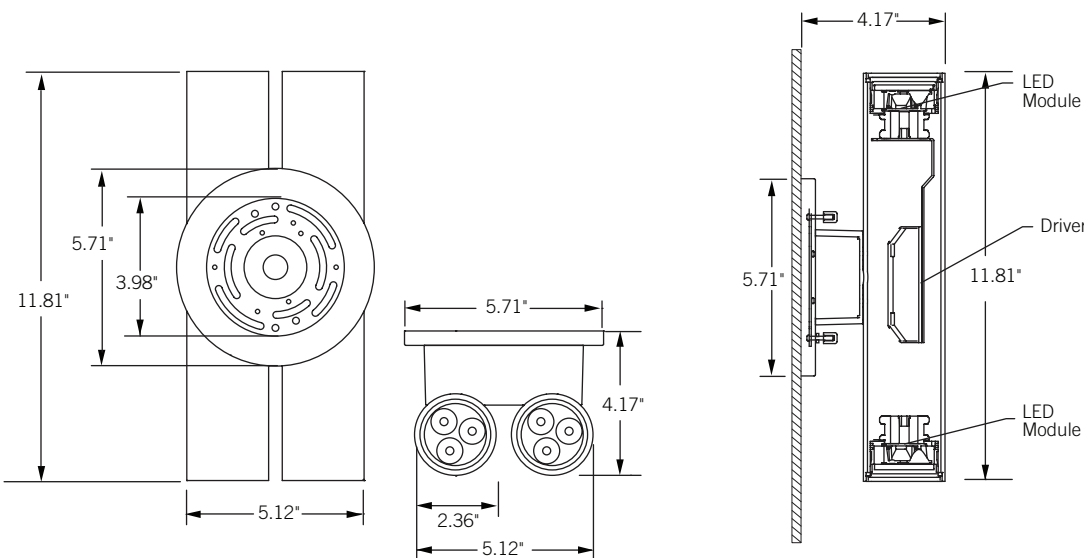
Electrical. Fixture is available in 120 volts. Fixture is UL/CUL Listed. Supplied with (2) Two integral 9W LED drivers.

Lamping. (12) 1.2W Osram Oslon LED chips.

Mounting. Fixture surface mounts over a standard octagonal junction box. See Installation instructions for additional detail.

Warranty. 5 years. LED rated life is 50,000 hours to 70% of lumen output.

DIMENSIONS & DETAILS



Installation instructions may be found at www.energielighting.com.

Tons:

™ Energie LLC, 4885 Ward Road, Ste. 300, Wheat Ridge, CO 80033 Tel 720.963.8055 Fax 720.963.8044 www.energielighting.com

In an effort to continually improve our products, we reserve the right to change or modify designs and/or materials without prior notice. All rights reserved. These products may be covered by one or more U.S. or international patents or patents pending. 05/13

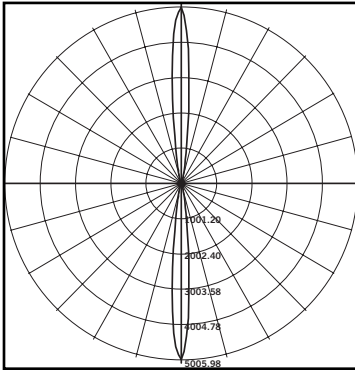
énergie®

PILLAR ROUND DOUBLE

TYPE _____
PROJECT _____

PHOTOMETRICS

PLRD-30D-WHW-120



LUMINAIRE

Description: Pillar Round Double
Catalog Number: PLRD-30D-WHW-120
Initial Lumens: 963
Fixture Lumens: 701
Efficiency: 73%
Distribution: 50% direct, 50% indirect
CRI: > 80

CANDELA DISTRIBUTION

	0	30	60	90	120	150	180
0	4898.8	4898.8	4898.8	4898.8	4898.8	4898.8	4898.8
5	3273.6	2993.6	2747	2515.8	2174	2195.4	2369.4
15	238.2	219.4	223.4	236	236.4	252.8	270.4
25	69	65.8	66.8	72.6	70.8	76.6	84.2
35	21.8	22.2	23.2	24.4	24	27.2	30.2
45	9.8	9.8	9.4	9	9	9.8	9.4
55	5.4	3.6	3.2	3.2	4	2.6	2.6
65	0.8	0.8	1.4	0.8	0.8	0.8	0.8
75	0.4	0.4	0.4	0.4	0.8	0.4	0.4
85	0.4	0.4	0.4	0.4	0.4	0.8	0.4
90	0.4	0.4	0.4	0.4	0.4	0.4	0.4
95	0.4	0.4	0.4	0.4	0.4	0.8	0.4
105	0.4	0.4	0.4	0.4	0.4	0.8	0.4
115	0.8	0.8	1.4	0.8	0.8	0.8	0.8
125	5.4	3.6	3.2	3.2	4	2.6	2.6
135	9.8	9.8	9.4	9	9	9.8	9.4
145	21.8	22.2	23.2	24.4	24	27.2	30.2
155	69	65.8	66.8	72.6	70.8	76.6	84.2
165	238.2	219.4	223.4	236	236.4	252.8	270.4
175	3273.6	2993.6	2747	2515.8	2174	2195.4	2369.4
180	4898.8	4898.8	4898.8	4898.8	4898.8	4898.8	4898.8

LUMINANCE (Candela/sq meter)

ANGLE	0-DEG	90-DEG
45	6996	7696
55	3018	5174
65	1170	1170
75	956	956

COEFFICIENTS OF UTILIZATION

RC RW	80			70			50			30			10			0
	50	30	10	50	30	10	50	30	10	50	30	10	50	30	10	0
0	87	87	87	85	85	85	81	81	81	77	77	77	74	74	74	73
1	86	85	85	84	84	83	81	80	80	77	76	76	71	71	70	66
2	83	83	82	82	81	81	79	78	77	75	74	73	70	69	68	64
3	81	80	80	79	79	78	76	75	75	73	72	71	69	67	66	63
4	79	78	78	77	77	76	74	73	72	71	70	69	67	66	64	61
5	77	76	76	76	75	74	73	71	71	70	68	67	66	64	63	60
6	75	75	74	74	73	73	71	70	69	68	66	65	65	63	61	59
7	74	73	73	72	72	71	70	68	68	67	65	64	64	62	60	57
8	72	72	71	71	70	70	68	67	66	66	64	63	63	60	59	56
9	71	71	70	70	69	68	67	66	65	64	63	61	62	59	58	55
10	70	69	69	69	68	67	66	65	64	63	62	60	61	58	57	54