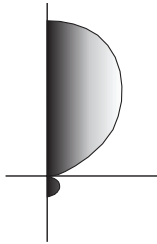


OPUS SCONCE



Photometric Drawing for
(1) OPS-120

TYPE _____ PROJECT _____



CATALOG NUMBER

FIXTURE	VOLTAGE	OPTIONS
OPS Opus Sconce	120 120 v 277 277 v	BLU Blue color filter GRN Green color filter RED Red color filter

SPECIFICATIONS

Construction. Fixture head, center bracket and mounting bracket constructed of cast aluminum.

Finish. Fixture finished in thermopainted metallic silver.

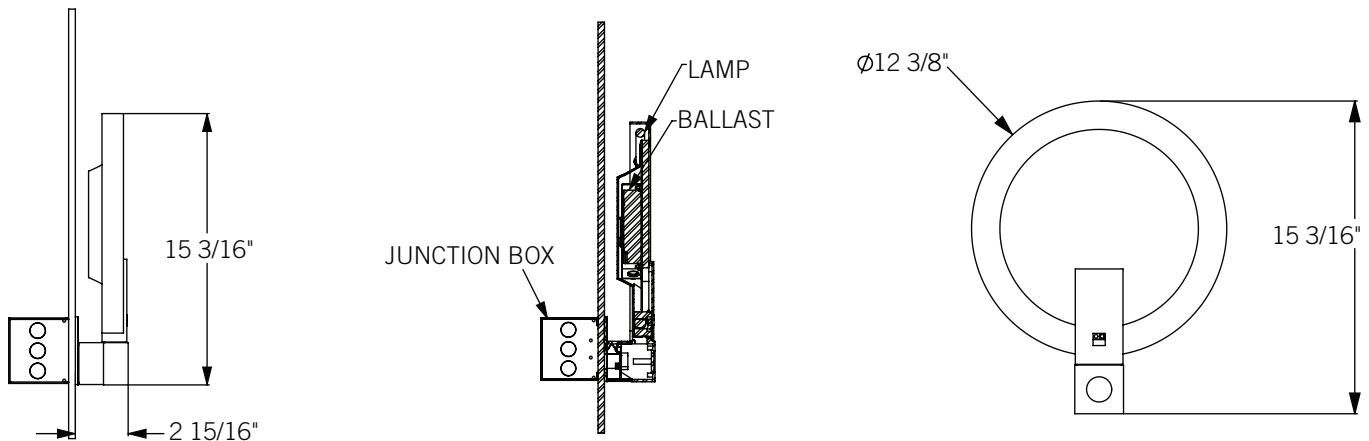
Lamping. 55 watt T5 circline lamp. Lamp not included.

Shielding. Light is dispersed through acrylic disk with precision phase silk screened rings.

Electrical. Specify 120 or 277 volt. Fixture and all electrical components are UL/CUL listed. Supplied with internal electronic ballast.

Mounting. Fixture supplied with backplate and Energie junction box. See drawings for detail.
ADA COMPLIANT.

DIMENSIONS & DETAILS



Installation instructions may be found at www.energielighting.com.



Energie LLC, 4885 Ward Road, Suite 300, Wheat Ridge CO 80033 Tel 720.963.8055 Fax 720.963.8044 www.energielighting.com
In an effort to continually improve our products, we reserve the right to change or modify designs and/or materials without prior notice.
All rights reserved. These products may be covered by one or more U.S. or international patents or patents pending. 07/10

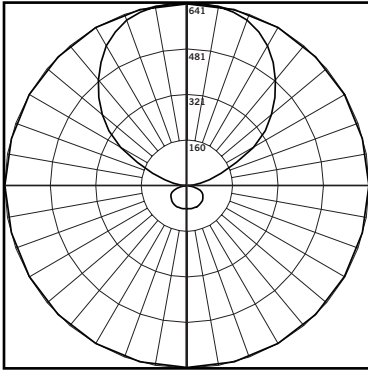


OPUS SCONCE

TYPE _____
PROJECT _____

PHOTOMETRICS

OPS _____



CANDELA DISTRIBUTION

	0	45	90
0	81	81	81
5	81	81	81
15	82	82	81
25	82	81	79
35	80	78	77
45	76	74	73
55	69	68	65
65	58	56	53
75	37	35	31
85	9	9	8
95	22	23	33
105	81	76	99
115	193	184	207
125	336	333	336
135	438	437	437
145	528	528	528
155	597	596	593
165	632	629	628
175	641	641	639

LUMINAIRE

Description: Opus Sconce with (1) 55 watt T5 circline lamp.

Catalog Number: OPS-120

Efficiency: 53.1%

Distribution: 16% direct, 84% indirect

LUMINANCE (Candela/sq meter)

ANGLE	0-DEG	45-DEG	90-DEG
45	2358	2296	2265
55	2639	2601	2486
65	3011	2907	2751
75	3136	2967	2628
85	2266	2266	2014

ZONAL LUMEN SUMMARY

ZONE	LUMENS	% LAMP	% FIXT
0 - 30	68.3	1.7	3.2
0 - 40	117.37	2.9	5.5
0 - 60	234.85	5.9	11.1
0 - 90	336.78	8.4	15.9
90-120	311.01	7.8	14.6
90 - 130	606.56	15.2	28.6
90 - 150	1273.77	31.8	60
90 - 180	1786.89	44.7	84.1
0 - 180	2123.67	53.1	100

ZONAL LUMEN SUMMARY

ZONE	LUMENS
0-10	7.77
10-20	23.17
20-30	37.37
30-40	49.07
40-50	57.23
50-60	60.24
60-70	54.92
70-80	35.87
80-90	11.14
90-100	28.11
100-110	89.75
110-120	193.15
120-130	295.55
130-140	337.15
140-150	330.07
150-160	274.15
160-170	177.94
170-180	61.02

COEFFICIENTS OF UTILIZATION

RC RW	80				70				50			30			10			0
	70	50	30	10	70	50	30	10	50	30	10	50	30	10	50	30	10	0
0	53	53	53	53	46	46	46	46	34	34	34	23	23	23	13	13	13	8
1	48	45	43	42	42	40	38	37	30	29	28	20	19	19	11	11	11	7
2	43	39	36	34	38	35	32	30	26	24	22	17	16	15	10	9	9	5
3	39	34	31	28	34	30	27	25	22	20	19	15	14	13	8	8	7	4
4	36	30	26	23	31	27	23	21	20	18	16	13	12	11	7	7	6	4
5	33	27	23	20	29	24	20	18	18	15	13	12	10	9	7	6	5	3
6	30	24	20	17	26	21	18	15	16	13	11	11	9	8	6	5	5	3
7	28	21	17	15	24	19	15	13	14	12	10	10	8	7	5	5	4	2
8	26	19	15	13	22	17	14	11	13	10	9	9	7	6	5	4	3	2
9	24	17	14	11	21	15	12	10	12	9	8	8	6	5	4	4	3	2
10	22	16	12	10	19	14	11	9	11	8	7	7	6	5	4	3	3	2