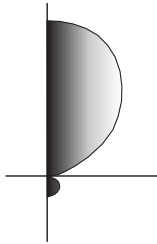


# OPUS 3



Photometric Drawing for  
(1) OP3-120

TYPE \_\_\_\_\_ PROJECT \_\_\_\_\_



## CATALOG NUMBER

FIXTURE		LAMPING (SEE CROSS SECTION)	
<b>OP3</b>	Opus 3	<b>120</b>	120 v
		<b>277</b>	277 v

## SPECIFICATIONS

**Construction.** Fixture head, center bracket and mounting plate constructed of cast aluminum. Stem is extruded aluminum.

**Shielding.** Light is dispersed through acrylic disk with precision silk screened rings.

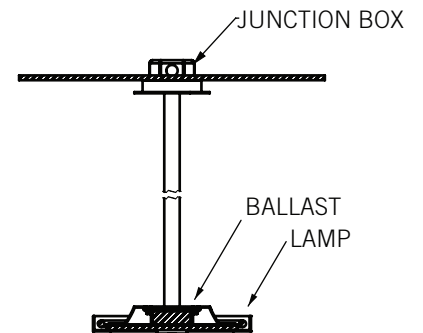
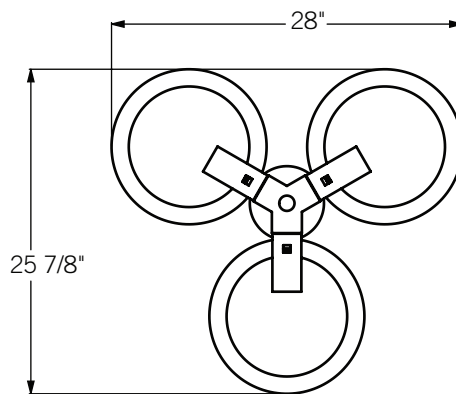
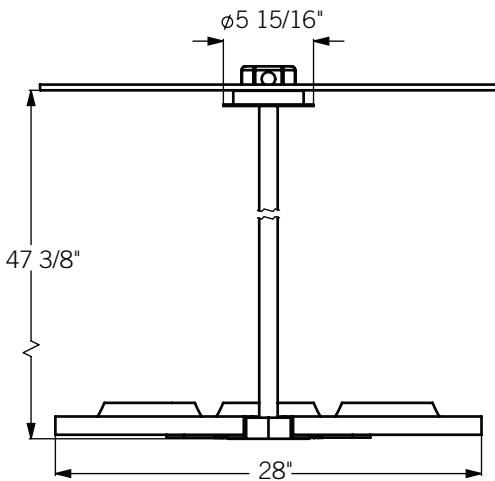
**Finish.** Fixture finished in thermopainted metallic silver.

**Electrical.** Specify 120 or 277 volt. Fixture and all electrical components are UL/CUL listed. Supplied with internal electronic ballasts.

**Lamping.** (3) 55 watt T5 circline lamps. Lamps not included.

**Mounting.** Mounted with an aluminum rigid stem with a 48" overall suspension. Stem may be cut in the field. Fixture mounts to standard octagonal junction box.

## DIMENSIONS & DETAILS



Installation instructions may be found at [www.energielighting.com](http://www.energielighting.com).



Energie LLC, 4885 Ward Road, Suite 300, Wheat Ridge CO 80033 Tel 720.963.8055 Fax 720.963.8044 [www.energielighting.com](http://www.energielighting.com)  
In an effort to continually improve our products, we reserve the right to change or modify designs and/or materials without prior notice.  
All rights reserved. These products may be covered by one or more U.S. or international patents or patents pending. 07/10

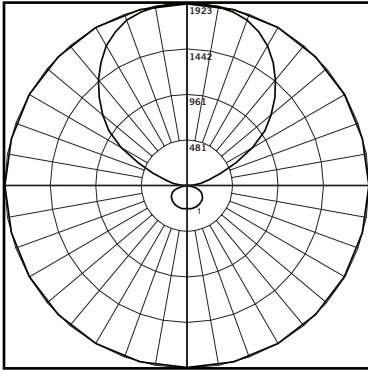


# OPUS 3

TYPE \_\_\_\_\_  
PROJECT \_\_\_\_\_

## PHOTOMETRICS

OP3 \_\_\_\_\_



### CANDELA DISTRIBUTION

	0	45	90
0	242.4	242.4	242.4
5	242.3	242.6	242.6
15	246.3	246.0	242.3
25	245.7	244.2	238.0
35	238.6	234.9	230.5
45	226.5	222.9	218.7
55	206.6	203.2	195.4
65	174.9	169.0	159.7
75	112.1	106.2	92.9
85	28.0	27.5	22.7
95	65.5	70.2	98.8
105	242.0	228.8	297.3
115	579.7	552.4	620.7
125	1009.3	998.5	1007.5
135	1313.5	1312.1	1311.0
145	1584.4	1583.8	1582.8
155	1790.7	1786.7	1780.3
165	1895.4	1887.9	1882.6
175	1922.7	1921.7	1916.4

### LUMINAIRE

**Description:** Opus 3 with (1) 55 watt T5 circline lamp.

**Catalog Number:** OP3-120

**Efficiency:** 53.1%

**Distribution:** 16% direct, 84% indirect

### LUMINANCE (Candela/sq meter)

ANGLE	0-DEG	45-DEG	90-DEG
45	7028	6916	6786
55	7902	7772	7474
65	9079	8773	8290
75	9502	9002	7875
85	7048	6922	5714

### ZONAL LUMEN SUMMARY

ZONE	LUMENS	% LAMP	% FIXT
0 - 30	204.89	1.7	3.2
0 - 40	352.03	2.9	5.5
0 - 60	704.19	5.9	11.1
0 - 90	1009.79	8.4	15.9
90 - 120	933.33	7.8	14.7
90 - 130	1819.99	15.2	28.6
90 - 150	3821.28	31.8	60
90 - 180	5360.54	44.7	84.1
0 - 180	6370.33	53.1	100

### ZONAL LUMEN SUMMARY

ZONE	LUMENS
0-10	23.28
10-20	6952
20-30	112.08
30-40	147.14
40-50	171.74
50-60	180.42
60-70	164.47
70-80	107.92
80-90	33.2
90-100	84.3
100-110	269.6
110-120	579.43
120-130	886.66
130-140	1011.23
140-150	990.06
150-160	822.42
160-170	533.8
170-180	183.05

### COEFFICIENTS OF UTILIZATION

RC RW	80				70				50			30			10			0
	70	50	30	10	70	50	30	10	50	30	10	50	30	10	50	30	10	0
0	53	53	53	53	46	46	46	46	34	34	34	23	23	23	13	13	13	8
1	48	45	43	42	42	40	38	37	30	28	28	20	19	19	11	11	11	7
2	43	39	36	34	38	35	32	30	26	24	22	17	16	15	10	9	9	5
3	39	34	31	28	34	30	27	25	22	20	19	15	14	13	8	8	7	4
4	36	30	26	23	31	27	23	21	20	18	16	13	12	11	7	7	6	4
5	33	27	23	20	29	24	20	18	18	15	13	12	10	9	7	6	5	3
6	30	24	20	17	26	21	18	15	16	13	11	11	9	8	6	5	5	3
7	28	21	17	15	24	19	15	13	14	12	10	10	8	7	5	5	4	2
8	26	19	15	13	22	17	14	11	13	10	9	9	7	6	5	4	3	2
9	24	17	14	11	21	15	12	10	12	9	8	8	6	5	4	4	3	2
10	22	16	12	10	19	14	11	9	11	8	7	7	6	5	4	3	3	2