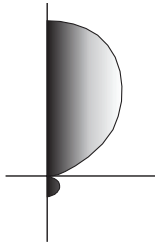


OPUS 2



Photometric Drawing for
(1) OP2-120

TYPE _____ PROJECT _____



CATALOG NUMBER

FIXTURE		LAMPING (SEE CROSS SECTION)	
OP2	Opus 2	120	120 v
		277	277 v

SPECIFICATIONS

Construction. Fixture head, center bracket and mounting plate constructed of cast aluminum. Stem is extruded aluminum.

Shielding. Light is dispersed through acrylic disk with precision silk screened rings.

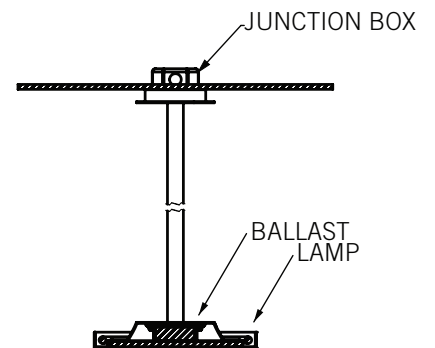
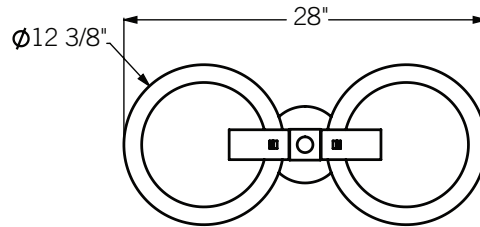
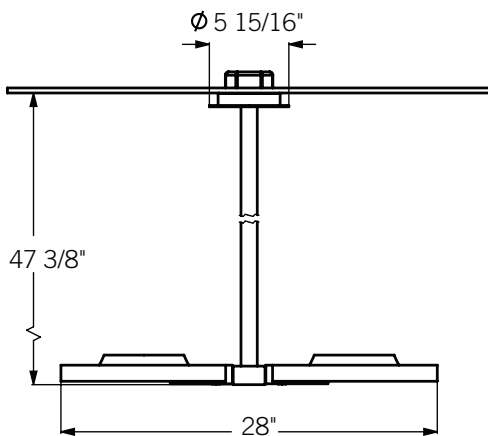
Finish. Fixture finished in thermopainted metallic silver.

Electrical. Specify 120 or 277 volt. Fixture and all electrical components are UL/CUL listed. Supplied with internal electronic ballasts.

Lamping. (2) 55 watt T5 circline lamps. Lamps not included.

Mounting. Mounted with an aluminum rigid stem with a 48" overall suspension. Stem may be cut in the field. Fixture mounts to standard octagonal junction box.

DIMENSIONS & DETAILS



Installation instructions may be found at www.energielighting.com.

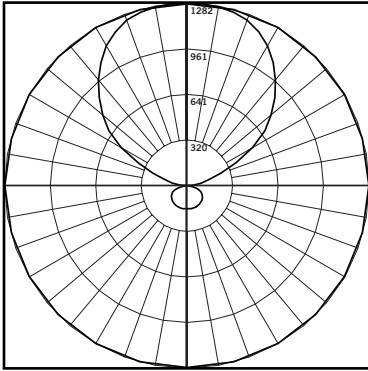


Energie LLC, 4885 Ward Road, Suite 300, Wheat Ridge CO 80033 Tel 720.963.8055 Fax 720.963.8044 www.energielighting.com
In an effort to continually improve our products, we reserve the right to change or modify designs and/or materials without prior notice.
All rights reserved. These products may be covered by one or more U.S. or international patents or patents pending. 07/10



PHOTOMETRICS

OP2 _____



CANDELA DISTRIBUTION

	0	45	90
0	161.6	161.6	161.6
5	161.5	161.7	161.7
15	164.2	164.0	161.5
25	163.8	162.8	158.6
35	159.1	156.6	153.7
45	151.0	148.6	145.8
55	137.7	135.4	130.3
65	116.6	112.7	106.5
75	74.8	70.8	61.9
85	18.6	18.3	15.1
95	43.7	46.8	65.9
105	161.3	152.5	198.2
115	386.5	368.2	413.8
125	672.9	665.6	671.7
135	875.7	874.7	874.0
145	1056.3	1055.9	1055.2
155	1193.8	1191.1	1186.9
165	1263.6	1258.6	1255.1
175	1281.8	1281.2	1277.6

LUMINAIRE

Description: Opus 2 with (1) 55 watt T5 circline lamp.

Catalog Number: OP2-120

Efficiency: 53.1%

Distribution: 16% direct, 84% indirect

LUMINANCE (Candela/sq meter)

ANGLE	0-DEG	45-DEG	90-DEG
45	4685	4611	4524
55	5267	5179	4984
65	6053	5851	5529
75	6341	6001	5247
85	4682	4607	3801

ZONAL LUMEN SUMMARY

ZONE	LUMENS	% LAMP	% FIXT
0 - 30	136.58	1.7	3.2
0 - 40	234.67	2.9	5.5
0 - 60	469.45	5.9	11.1
0 - 90	673.19	8.4	15.9
90-120	622.21	7.8	14.7
90 - 130	1213.32	15.2	28.6
90 - 150	2547.51	31.8	60
90 - 180	3573.69	44.7	84.1
0 - 180	4246.88	53.1	100

ZONAL LUMEN SUMMARY

ZONE	LUMENS
0-10	15.52
10-20	46.35
20-30	74.72
30-40	98.09
40-50	114.5
50-60	120.28
60-70	109.66
70-80	71.95
80-90	22.13
90-100	56.22
100-110	179.71
110-120	386.28
120-130	591.11
130-140	674.16
140-150	660.03
150-160	548.28
160-170	355.87
170-180	122.03

COEFFICIENTS OF UTILIZATION

RC RW	80				70				50			30			10			0
	70	50	30	10	70	50	30	10	50	30	10	50	30	10	50	30	10	0
0	53	53	53	53	46	46	46	46	34	34	34	23	23	23	13	13	13	8
1	48	45	43	42	42	40	38	37	30	28	28	20	19	19	11	11	11	7
2	43	39	36	34	38	35	32	30	26	24	22	17	16	15	10	9	9	5
3	39	34	31	28	34	30	27	25	22	20	19	15	14	13	8	8	7	4
4	36	30	26	23	31	27	23	21	20	18	16	13	12	11	7	7	6	4
5	33	27	23	20	29	24	20	18	18	15	13	12	10	9	7	6	5	3
6	30	24	20	17	26	21	18	15	16	13	11	11	9	8	6	5	5	3
7	28	21	17	15	24	19	15	13	14	12	10	10	8	7	5	5	4	2
8	26	19	15	13	22	17	14	11	13	10	9	9	7	6	5	4	3	2
9	24	17	14	11	21	15	12	10	12	9	8	8	6	5	4	4	3	2
10	22	16	12	10	19	14	11	9	11	8	7	7	6	5	4	3	3	2