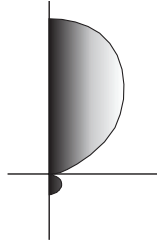


OPUS 1



Photometric Drawing for
(1) OP1-120

TYPE _____ PROJECT _____



CATALOG NUMBER

| FIXTURE | | LAMPING (SEE CROSS SECTION) | |
|------------|--------|--------------------------------|-------|
| OP1 | Opus 1 | 120 | 120 v |
| | | 277 | 277 v |

SPECIFICATIONS

Construction. Fixture head, center bracket and mounting plate constructed of cast aluminum. Stem is extruded aluminum.

Shielding. Light is dispersed through acrylic disk with precision silk screened rings.

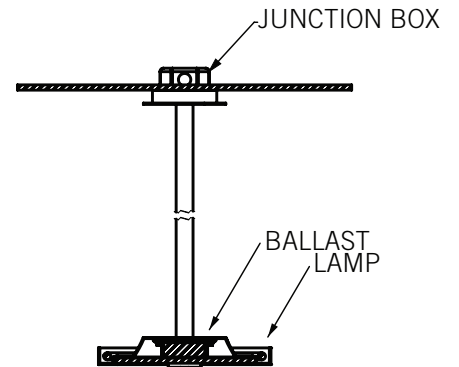
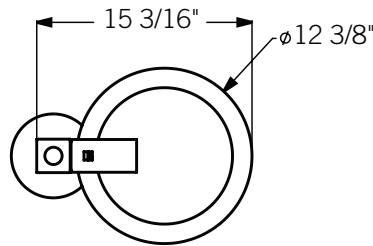
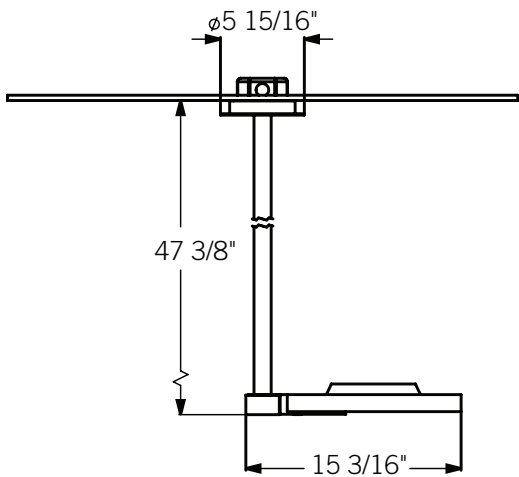
Finish. Fixture finished in thermopainted metallic silver.

Electrical. Specify 120 or 277 volt. Fixture and all electrical components are UL/CUL listed. Supplied with internal electronic ballast.

Lamping. 55 watt T5 circline lamp. Lamp not included.

Mounting. Mounted with an aluminum rigid stem with a 48" overall suspension height. Stem may be cut in the field. Fixture mounts to standard octagonal junction box.

DIMENSIONS & DETAILS



Installation instructions may be found at www.energielighting.com.

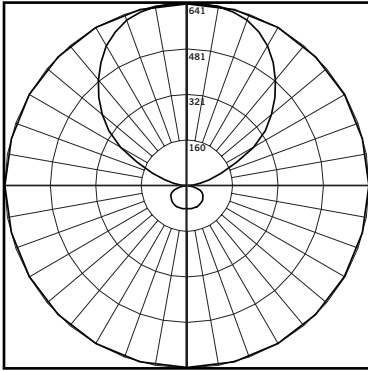


Energie LLC, 4885 Ward Road, Suite 300, Wheat Ridge CO 80033 Tel 720.963.8055 Fax 720.963.8044 www.energielighting.com
In an effort to continually improve our products, we reserve the right to change or modify designs and/or materials without prior notice.
All rights reserved. These products may be covered by one or more U.S. or international patents or patents pending. 07/10



PHOTOMETRICS

OP1 _____



CANDELA DISTRIBUTION

| | 0 | 45 | 90 |
|-----|-----|-----|-----|
| 0 | 81 | 81 | 81 |
| 5 | 81 | 81 | 81 |
| 15 | 82 | 82 | 81 |
| 25 | 82 | 81 | 79 |
| 35 | 80 | 78 | 77 |
| 45 | 76 | 74 | 73 |
| 55 | 69 | 68 | 65 |
| 65 | 58 | 56 | 53 |
| 75 | 37 | 35 | 31 |
| 85 | 9 | 9 | 8 |
| 95 | 22 | 23 | 33 |
| 105 | 81 | 76 | 99 |
| 115 | 193 | 184 | 207 |
| 125 | 336 | 333 | 336 |
| 135 | 438 | 437 | 437 |
| 145 | 528 | 528 | 528 |
| 155 | 597 | 596 | 593 |
| 165 | 632 | 629 | 628 |
| 175 | 641 | 641 | 639 |

LUMINAIRE

Description: Opus 1 with (1) 55 watt T5 circline lamp.

Catalog Number: OP1-120

Efficiency: 53.1%

Distribution: 16% direct, 84% indirect

LUMINANCE (Candela/sq meter)

| ANGLE | 0-DEG | 45-DEG | 90-DEG |
|-------|-------|--------|--------|
| 45 | 2358 | 2296 | 2265 |
| 55 | 2639 | 2601 | 2486 |
| 65 | 3011 | 2907 | 2751 |
| 75 | 3136 | 2967 | 2628 |
| 85 | 2266 | 2266 | 2014 |

ZONAL LUMEN SUMMARY

| ZONE | LUMENS | % LAMP | % FIXT |
|----------|---------|--------|--------|
| 0 - 30 | 68.3 | 1.7 | 3.2 |
| 0 - 40 | 117.37 | 2.9 | 5.5 |
| 0 - 60 | 234.85 | 5.9 | 11.1 |
| 0 - 90 | 336.78 | 8.4 | 15.9 |
| 90-120 | 311.01 | 7.8 | 14.6 |
| 90 - 130 | 606.56 | 15.2 | 28.6 |
| 90 - 150 | 1273.77 | 31.8 | 60 |
| 90 - 180 | 1786.89 | 44.7 | 84.1 |
| 0 - 180 | 2123.67 | 53.1 | 100 |

ZONAL LUMEN SUMMARY

| ZONE | LUMENS |
|---------|--------|
| 0-10 | 7.77 |
| 10-20 | 23.17 |
| 20-30 | 37.37 |
| 30-40 | 49.07 |
| 40-50 | 57.23 |
| 50-60 | 60.24 |
| 60-70 | 54.92 |
| 70-80 | 35.87 |
| 80-90 | 11.14 |
| 90-100 | 28.11 |
| 100-110 | 89.75 |
| 110-120 | 193.15 |
| 120-130 | 295.55 |
| 130-140 | 337.15 |
| 140-150 | 330.07 |
| 150-160 | 274.15 |
| 160-170 | 177.94 |
| 170-180 | 61.02 |

COEFFICIENTS OF UTILIZATION

| RC RW | 80 | | | | 70 | | | | 50 | | | 30 | | | 10 | | | 0 |
|----------|----|----|----|----|----|----|----|----|----|----|----|----|----|----|----|----|----|---|
| | 70 | 50 | 30 | 10 | 70 | 50 | 30 | 10 | 50 | 30 | 10 | 50 | 30 | 10 | 50 | 30 | 10 | 0 |
| 0 | 53 | 53 | 53 | 53 | 46 | 46 | 46 | 46 | 34 | 34 | 34 | 23 | 23 | 23 | 13 | 13 | 13 | 8 |
| 1 | 48 | 45 | 43 | 42 | 42 | 40 | 38 | 37 | 30 | 29 | 28 | 20 | 19 | 19 | 11 | 11 | 11 | 7 |
| 2 | 43 | 39 | 36 | 34 | 38 | 35 | 32 | 30 | 26 | 24 | 22 | 17 | 16 | 15 | 10 | 9 | 9 | 5 |
| 3 | 39 | 34 | 31 | 28 | 34 | 30 | 27 | 25 | 22 | 20 | 19 | 15 | 14 | 13 | 8 | 8 | 7 | 4 |
| 4 | 36 | 30 | 26 | 23 | 31 | 27 | 23 | 21 | 20 | 18 | 16 | 13 | 12 | 11 | 7 | 7 | 6 | 4 |
| 5 | 33 | 27 | 23 | 20 | 29 | 24 | 20 | 18 | 18 | 15 | 13 | 12 | 10 | 9 | 7 | 6 | 5 | 3 |
| 6 | 30 | 24 | 20 | 17 | 26 | 21 | 18 | 15 | 16 | 13 | 11 | 11 | 9 | 8 | 6 | 5 | 5 | 3 |
| 7 | 28 | 21 | 17 | 15 | 24 | 19 | 15 | 13 | 14 | 12 | 10 | 10 | 8 | 7 | 5 | 5 | 4 | 2 |
| 8 | 26 | 19 | 15 | 13 | 22 | 17 | 14 | 11 | 13 | 10 | 9 | 9 | 7 | 6 | 5 | 4 | 3 | 2 |
| 9 | 24 | 17 | 14 | 11 | 21 | 15 | 12 | 10 | 12 | 9 | 8 | 8 | 6 | 5 | 4 | 4 | 3 | 2 |
| 10 | 22 | 16 | 12 | 10 | 19 | 14 | 11 | 9 | 11 | 8 | 7 | 7 | 6 | 5 | 4 | 3 | 3 | 2 |