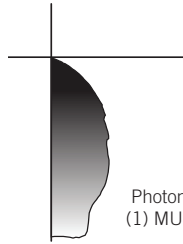


# MUSHROOM SQUARE



Photometric Drawing for  
(1) MUS-WHW-120

TYPE \_\_\_\_\_ PROJECT \_\_\_\_\_



## CATALOG NUMBER

FIXTURE		COLOR	VOLTAGE	
<b>MUS</b>	Mushroom Square	<b>WHW</b> Warm White LED (3000K)	<b>120</b>	120 v

## SPECIFICATIONS

**Construction.** Fixture body and LED housing are constructed of cast aluminum.

**Shielding.** Frosted acrylic lens with integral spread lenses for each LED chip for optimum diffusion of the LED source.

**Finish.** Fixture is finished in proprietary thermopainted matte black, RAL 9011.

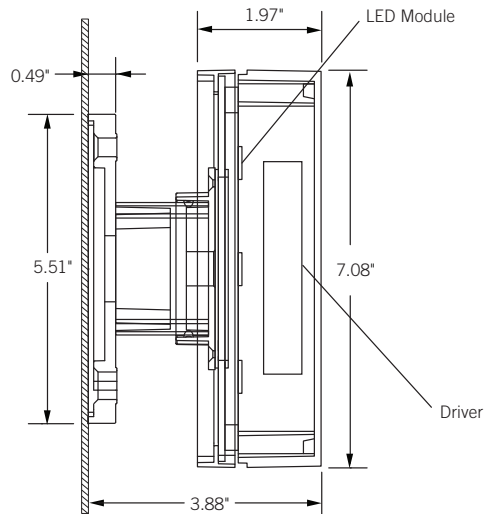
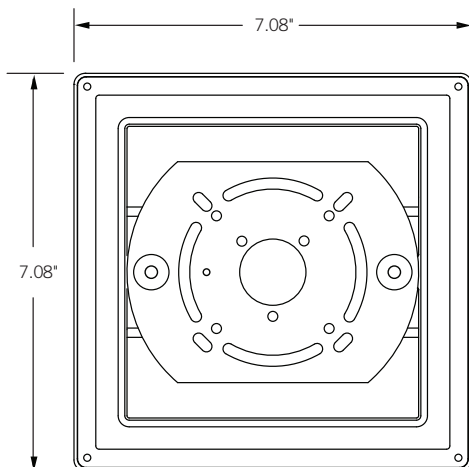
**Electrical.** Fixture is available in 120 volts. Fixture is UL/CUL Listed. Supplied with integral 9W LED driver.

**Lamping.** (6) 1.2W Osram Oslon LED chips.

**Mounting.** Fixture surface mounts over a standard octagonal junction box on the ceiling or wall. See installation instructions for more detail.  
**ADA Compliant.**

**Warranty.** 5 years. LED rated life is 50,000 hours to 70% of lumen output.

## DIMENSIONS & DETAILS



Installation instructions may be found at [www.energielighting.com](http://www.energielighting.com).

**Tons:**™

Energie LLC, 4885 Ward Road, Ste. 300, Wheat Ridge, CO 80033 Tel 720.963.8055 Fax 720.963.8044 [www.energielighting.com](http://www.energielighting.com)

In an effort to continually improve our products, we reserve the right to change or modify designs and/or materials without prior notice. All rights reserved. These products may be covered by one or more U.S. or international patents or patents pending. 05/13

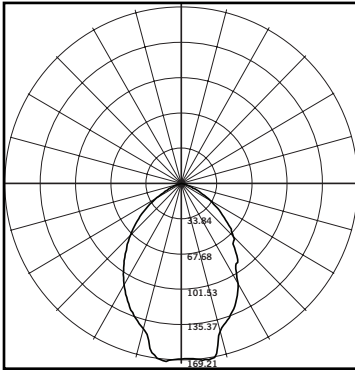
énergie®

# MUSHROOM SQUARE

TYPE \_\_\_\_\_  
PROJECT \_\_\_\_\_

## PHOTOMETRICS

MUS-WHW-120



### LUMINAIRE

**Description:** Mushroom Square  
**Catalog Number:** MUS-WHW-120  
**Initial Lumens:** 513  
**Fixture Lumens:** 273  
**Efficiency:** 53%  
**Distribution:** 100% direct, 0% indirect  
**CRI:** > 80

### CANDELA DISTRIBUTION

	0	30	60	90	120	150	180
0	165.3	165.3	165.3	165.3	165.3	165.3	165.3
5	158.0	162.2	164.9	166.1	166.5	165.3	167.3
15	116.4	140.5	144.4	144.0	133.9	126.1	124.6
25	102.1	118.4	107.9	123.8	105.2	116.0	108.3
35	82.3	83.4	87.3	92.0	84.6	90.4	84.6
45	60.9	62.9	64.8	70.6	61.3	65.6	61.7
55	40.4	39.6	42.7	44.6	39.6	42.3	39.2
65	20.6	22.1	22.5	19.8	17.1	20.2	15.1
75	1.2	1.9	4.3	4.3	1.6	2.7	1.2
85	0.0	0.0	0.0	0.0	0.0	0.0	0.0
90	0.0	0.0	0.0	0.0	0.0	0.0	0.0

### LUMINANCE (Candela/sq meter)

ANGLE	0-DEG	90-DEG
45	3181	2744
55	2478	2241
65	1492	1550
75	525	143

### COEFFICIENTS OF UTILIZATION

RC RW	80			70			50			30			10			0
	50	30	10	50	30	10	50	30	10	50	30	10	50	30	10	0
0	63	63	63	62	62	62	59	59	59	57	57	57	54	54	54	53
1	58	58	57	58	57	56	55	55	54	53	52	51	49	48	47	44
2	52	51	50	51	50	49	49	48	47	47	46	44	45	43	41	39
3	46	44	44	45	44	43	44	42	41	43	41	39	41	38	36	34
4	40	39	38	40	39	38	40	38	36	39	36	34	37	34	32	30
5	36	35	34	36	34	33	36	34	32	35	32	30	34	31	29	27
6	32	31	30	33	31	30	33	30	28	32	29	27	31	28	26	24
7	29	28	27	30	28	27	30	27	26	29	27	24	29	26	23	21
8	27	26	25	27	25	24	27	25	23	27	24	22	27	24	21	19
9	24	23	23	25	23	22	25	23	21	25	22	20	25	22	19	18
10	23	21	21	23	21	20	23	21	20	23	21	19	23	20	18	16