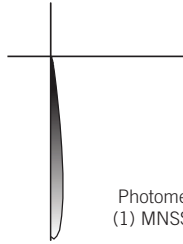


# MINIMUM SQUARE SINGLE



Photometric Drawing for  
(1) MNSS-30D-WHW-120

TYPE \_\_\_\_\_ PROJECT \_\_\_\_\_



## CATALOG NUMBER

FIXTURE		DISTRIBUTION		COLOR		VOLTAGE	
<b>MNSS</b>	Minimum Square Single	<b>30D</b>	30 degree lens	<b>WHW</b>	Warm White LED (3000K)	<b>120</b>	120 v

## SPECIFICATIONS

**Construction.** Fixture body and LED housing are constructed of machined aluminum.

**Shielding.** Integral 30 degree spread lens for maximum efficiency and optimization of the LED chips.

**Finish.** Fixture and LED housings are brushed, anodized aluminum.

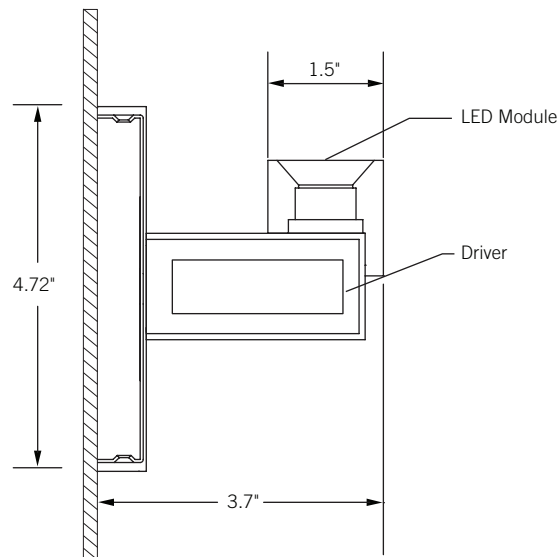
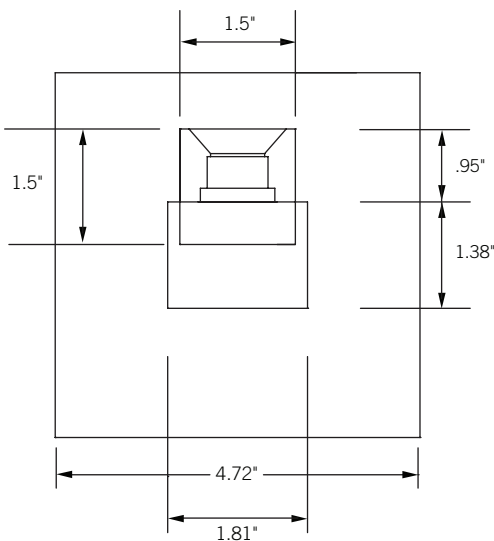
**Electrical.** Fixture is available in 120 volts. Fixture is UL/CUL Listed. Supplied with integral 3.6W LED driver.

**Lamping.** (1) 1.2W Osram Oslon LED chip.

**Mounting.** Fixture surface mounts over a standard octagonal junction box. See Installation instructions for additional detail. **ADA Compliant.**

**Warranty.** 5 years. LED rated life is 50,000 hours to 70% of lumen output.

## DIMENSIONS & DETAILS



Installation instructions may be found at [www.energielighting.com](http://www.energielighting.com).

**Tons:**

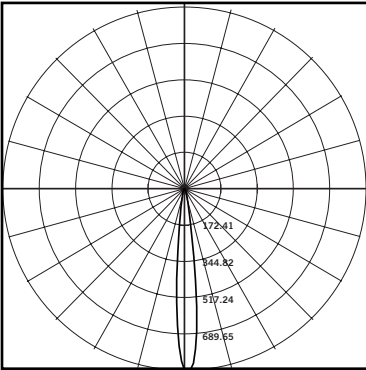
Energie LLC, 4885 Ward Road, Ste. 300, Wheat Ridge, CO 80033 Tel 720.963.8055 Fax 720.963.8044 [www.energielighting.com](http://www.energielighting.com)  
In an effort to continually improve our products, we reserve the right to change or modify designs and/or materials without prior notice.  
All rights reserved. These products may be covered by one or more U.S. or international patents or patents pending. 05/13

énergie®

# MINIMUM SQUARE SINGLE TYPE \_\_\_\_\_ PROJECT \_\_\_\_\_

## PHOTOMETRICS

MNSS-30D-WHW-120



### LUMINAIRE

**Description:** Minimum Square Single  
**Catalog Number:** MNSS-30D-WHW-120  
**Initial Lumens:** 80  
**Fixture Lumens:** 67  
**Efficiency:** 83%  
**Distribution:** 100% in either direction (depends on mounting)  
**CRI:** > 80

### CANDELA DISTRIBUTION

	0	30	60	90	120	150	180
0	844.8	844.8	844.8	844.8	844.8	844.8	844.8
5	539.9	480.4	521.1	667.2	631.2	660.8	502.4
15	47.9	44.4	49.6	60.8	57.4	60.7	49.4
25	16.1	15.0	15.4	17.9	17.4	17.6	16.2
35	5.5	5.4	5.6	6.4	6.3	6.4	5.9
45	2.5	2.5	2.5	2.8	2.9	2.8	2.7
55	1.3	1.3	1.2	1.4	1.4	1.4	1.3
65	0.6	0.7	0.6	0.7	0.7	0.7	0.7
75	0.3	0.3	0.2	0.3	0.3	0.3	0.3
85	0.0	0.0	0.0	0.0	0.0	0.0	0.0
90	0.0	0.0	0.0	0.0	0.0	0.0	0.0

### LUMINANCE (Candela/sq meter)

ANGLE	0-DEG	90-DEG
45	39711	35553
55	23833	22037
65	15996	14954
75	10780	9659

### COEFFICIENTS OF UTILIZATION

RC RW	80			70			50			30			10			0
	50	30	10	50	30	10	50	30	10	50	30	10	50	30	10	0
0	99	99	99	96	96	96	92	92	92	88	88	88	85	85	85	83
1	97	97	96	96	95	94	92	91	90	87	86	86	81	80	79	75
2	94	93	93	92	91	91	89	88	87	84	83	82	79	78	76	73
3	91	90	89	89	88	87	86	84	83	82	80	79	77	75	74	70
4	88	87	87	86	85	85	83	82	81	80	78	76	75	73	72	68
5	86	85	84	84	83	82	81	79	78	78	76	74	74	71	70	66
6	83	83	82	82	81	80	79	77	76	76	74	72	72	70	68	65
7	81	81	80	80	79	78	77	76	74	74	72	70	71	68	66	63
8	80	79	79	78	77	77	75	74	73	72	70	69	69	67	65	62
9	78	77	77	77	76	75	74	72	71	71	69	67	68	65	63	61
10	77	76	76	75	74	74	73	71	70	70	68	66	67	64	62	59