

# MINIMUM ROUND DOUBLE



Photometric Drawing for  
(1) MNRD-30D-WHW-120

TYPE \_\_\_\_\_ PROJECT \_\_\_\_\_



## CATALOG NUMBER

FIXTURE		DISTRIBUTION		COLOR		VOLTAGE	
<b>MNRD</b>	Minimum Round Double	<b>30D</b>	30 degree lens	<b>WHW</b>	Warm White LED (3000K)	<b>120</b>	120 v

## SPECIFICATIONS

**Construction.** Fixture body and LED housing are constructed of machined aluminum.

**Shielding.** Integral 30 degree spread lens for maximum efficiency and optimization of the LED chips.

**Finish.** Fixture and LED housings are brushed, anodized aluminum.

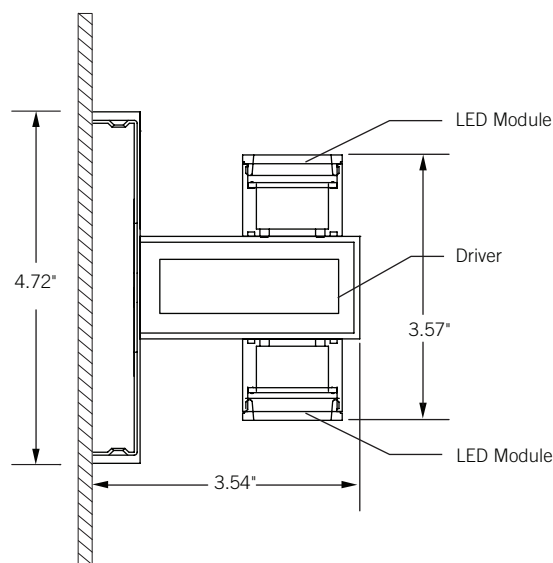
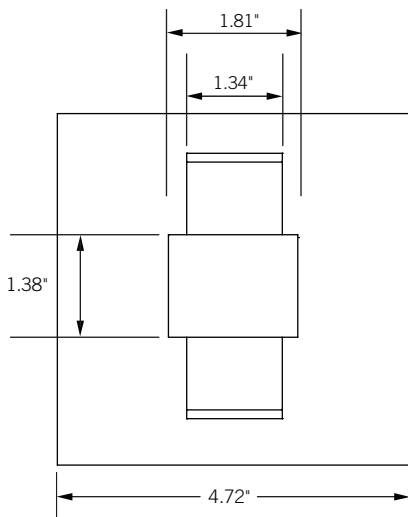
**Electrical.** Fixture is available in 120 volts. Fixture is UL/CUL Listed. Supplied with integral 3.6W LED driver.

**Lamping.** (2) 1.2W Osram Osolon LED chips.

**Mounting.** Fixture surface mounts over a standard octagonal junction box. See Installation instructions for additional detail. **ADA Compliant.**

**Warranty.** 5 years. LED rated life is 50,000 hours to 70% of lumen output.

## DIMENSIONS & DETAILS



Installation instructions may be found at [www.energielighting.com](http://www.energielighting.com).

**Tons:**

™ Energie LLC, 4885 Ward Road, Ste. 300, Wheat Ridge, CO 80033 Tel 720.963.8055 Fax 720.963.8044 [www.energielighting.com](http://www.energielighting.com)  
In an effort to continually improve our products, we reserve the right to change or modify designs and/or materials without prior notice.  
All rights reserved. These products may be covered by one or more U.S. or international patents or patents pending. 05/13

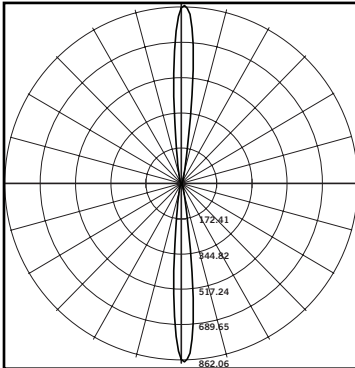
énergie®

# MINIMUM ROUND DOUBLE

TYPE \_\_\_\_\_  
PROJECT \_\_\_\_\_

## PHOTOMETRICS

MNRD-30D-WHW-120



### LUMINAIRE

**Description:** Minimum Round Double  
**Catalog Number:** MNRD-30D-WHW-120  
**Initial Lumens:** 161  
**Fixture Lumens:** 130  
**Efficiency:** 81%  
**Distribution:** 50% direct, 50% indirect  
**CRI:** > 80

### CANDELA DISTRIBUTION

	0	30	60	90	120	150	180
0	844.8	844.8	844.8	844.8	844.8	844.8	844.8
5	539.9	480.4	521.1	667.2	631.2	660.8	502.4
15	47.9	44.4	49.6	60.8	57.4	60.7	49.4
25	16.1	15.0	15.4	17.9	17.4	17.6	16.2
35	5.5	5.4	5.6	6.4	6.3	6.4	5.9
45	2.5	2.5	2.5	2.8	2.9	2.8	2.7
55	1.3	1.3	1.2	1.4	1.4	1.4	1.3
65	0.6	0.7	0.6	0.7	0.7	0.7	0.7
75	0.3	0.3	0.2	0.3	0.3	0.3	0.3
85	0.0	0.0	0.0	0.0	0.0	0.0	0.0
90	0.0	0.0	0.0	0.0	0.0	0.0	0.0
105	0.3	0.3	0.2	0.3	0.3	0.3	0.3
115	0.6	0.7	0.6	0.7	0.7	0.7	0.7
125	1.3	1.3	1.2	1.4	1.4	1.4	1.3
135	2.5	5.4	2.5	2.8	2.9	2.8	2.7
145	5.5	5.4	5.6	6.4	6.3	6.4	5.9
155	16.1	15.0	15.4	17.9	17.4	17.6	16.2
165	47.9	44.4	49.6	60.8	57.4	60.7	49.4
175	539.9	480.4	521.1	667.2	631.2	660.8	502.4
180	844.8	844.8	844.8	844.8	844.8	844.8	844.8

### LUMINANCE (Candela/sq meter)

ANGLE	0-DEG	90-DEG
45	39711	35553
55	23833	22037
65	15996	14954
75	10780	9659

### COEFFICIENTS OF UTILIZATION

RC RW	80			70			50			30			10			0
	50	30	10	50	30	10	50	30	10	50	30	10	50	30	10	0
0	99	99	99	96	96	96	92	92	92	88	88	88	85	85	85	83
1	97	97	96	96	95	94	92	91	90	87	86	86	81	80	79	75
2	94	93	93	92	91	91	89	88	87	84	83	82	79	78	76	73
3	91	90	89	89	88	87	86	84	83	82	80	79	77	75	74	70
4	88	87	87	86	85	85	83	82	81	80	78	76	75	73	72	68
5	86	85	84	84	83	82	81	79	78	78	76	74	74	71	70	66
6	83	83	82	82	81	80	79	77	76	76	74	72	72	70	68	65
7	81	81	80	80	79	78	77	76	74	74	72	70	71	68	66	63
8	80	79	79	78	77	77	75	74	73	72	70	69	69	67	65	62
9	78	77	77	77	76	75	74	72	71	71	69	67	68	65	63	61
10	77	76	76	75	74	74	73	71	70	70	68	66	67	64	62	59