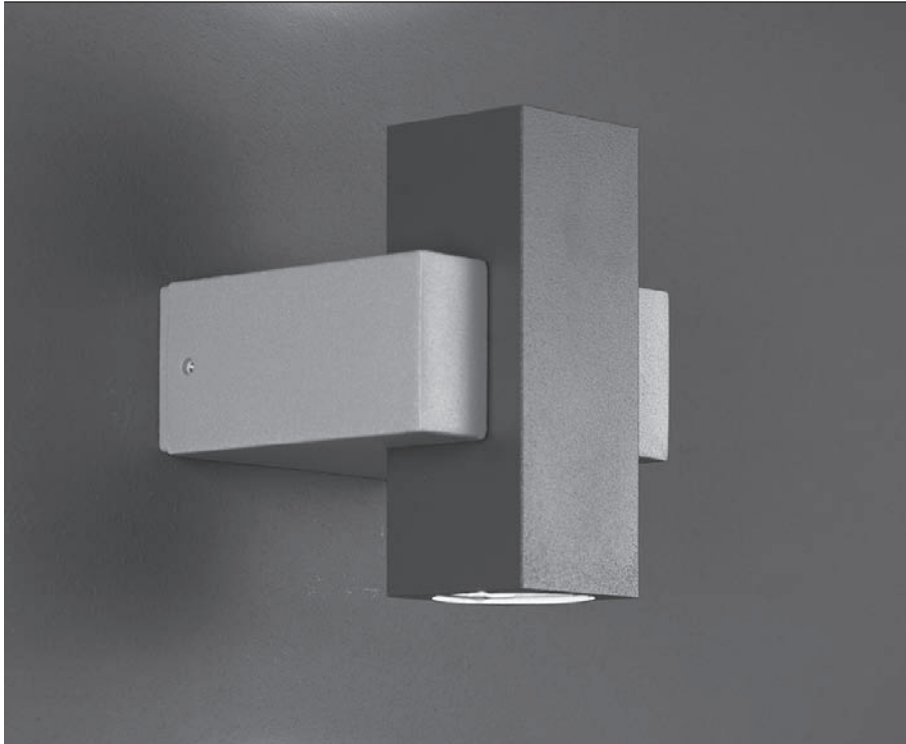


INTIMO

multiline®



Catalog Number

FIXTURE

INT - Intimo

VOLTAGE

120 - 120 Volt
277 - 277 Volt

EXAMPLE: INT-120

Specifications

CONSTRUCTION

Main column of luminaire constructed of extruded aluminum, type F22. Corners and seams are welded together with no exposed welds. Wall bracket is cast aluminum.

SHIELDING

Lamp openings are shielded with gasketed glass plates.

FINISH

Main lamp housing finished in lightly textured charcoal polyester powdercoat. Wall bracket finished in lightly textured gray polyester powdercoat. Finishes specially developed for outside exposure and all weather resistance.

ELECTRICAL

Specify 120 or 277 volt. Fixture is supplied with internal electronic transformer and is fully gasketed and U.L./C.U.L. **WET LOCATION LABELED.** Fixture may be dimmed with no special modification or specification.

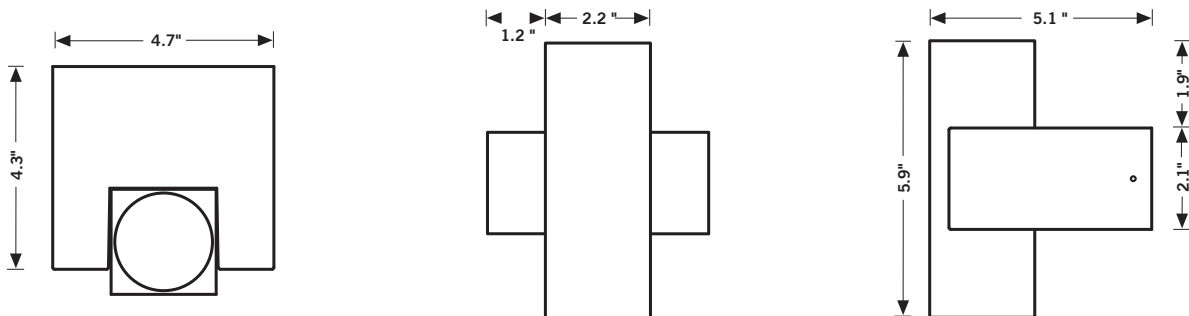
LAMPING

Two 35 Watt maximum MR16 lamps. Aluminized reflector lamp recommended. Fixture may be converted to indirect or direct only on-site by installing only one lamp. Lamp(s) not included.

MOUNTING

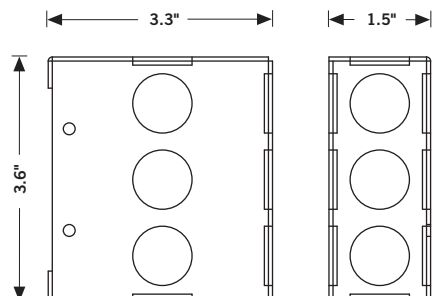
Fixture is supplied with an Énergie junction box. See reverse for detail.

Dimensions



Mounting Diagrams

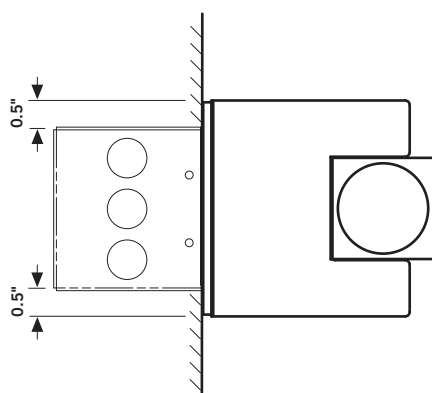
DESCRIPTION



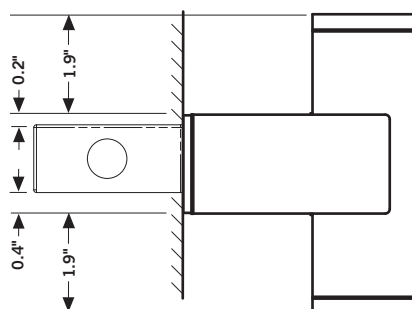
Énergie junction box supplied to allow the fixture to be mounted flush against the wall with no exposed mounting plate.

Énergie junction box may be shipped prior to receiving the full lighting fixture shipment. Consult factory for specific custom junction box dimensions and details.

TOP VIEW



SIDE VIEW



Installation instructions may be found at www.energielighting.com.