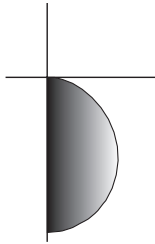


# FLYING SURFACE



Photometric Drawing  
for (1) FLS-22

TYPE \_\_\_\_\_ PROJECT \_\_\_\_\_



## CATALOG NUMBER

FIXTURE		SIZE	VOLTAGE	MOUNT	OPTIONS
<b>FLS</b>	Flying Surface	<b>22</b> 2x2	<b>120</b> 120 v	<b>SUR</b> Surface Mount	<b>DIM</b> Electronic Dimming
		<b>44</b> 4x4	<b>277</b> 277 v	<b>PEN</b> Pendant Mount	<b>FUS</b> Fusing
		<b>46</b> 4x6			

### \* DETAILS – OPTIONS

**DIM** Dimming ballasts with 5 wire 0-10VDC control scheme

**FUS** GLR fuse for each ballast

## SPECIFICATIONS

**Construction.** Fixture body and shade frame constructed of formed steel.

**Shielding.** Shade constructed of textile on a PVC base.

**Finish.** Fixture is powdercoated white and shade is white textile.

**Electrical.** Specify 120 or 277 volts. Fixture is UL/CUL Listed for damp locations. Supplied with integral electronic ballasts.

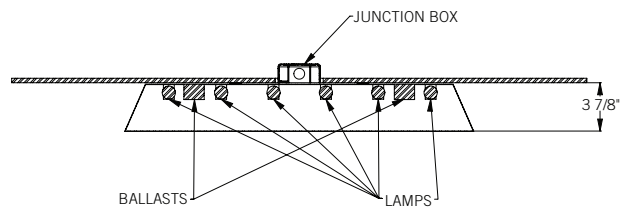
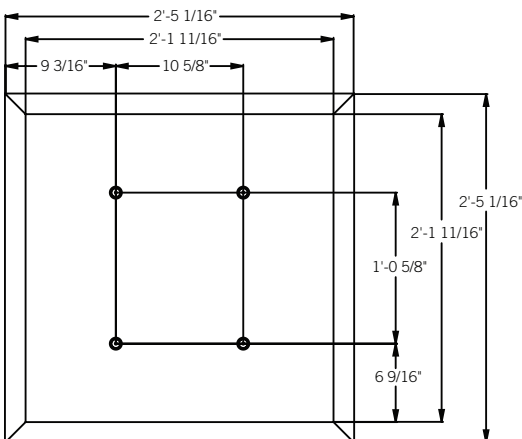
**Lamping.** (6) 17 watt T8 or (11) 32 watt T8 or (16) 32 watt T8 fluorescent lamps. Lamps not included.

**Mounting.** Fixture surface mounts over standard octagonal junction box on the ceiling or wall. Fixture can also be pendant mounted. See page 2 for additional mounting options and accessories.

**ADA COMPLIANT.**

## DIMENSIONS & DETAILS

2' X 2'



Installation instructions may be found at [www.energielighting.com](http://www.energielighting.com).



Energie LLC, 4885 Ward Road, Suite 300, Wheat Ridge CO 80033 Tel 720.963.8055 Fax 720.963.8044 [www.energielighting.com](http://www.energielighting.com)

In an effort to continually improve our products, we reserve the right to change or modify designs and/or materials without prior notice. All rights reserved. These products may be covered by one or more U.S. or international patents or patents pending. 07/10

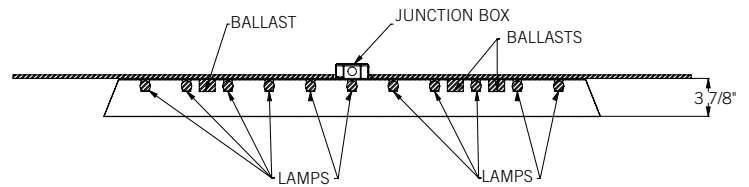
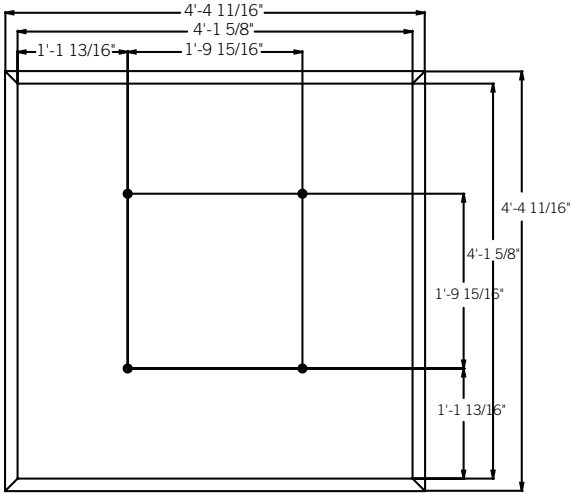


# FLYING SURFACE

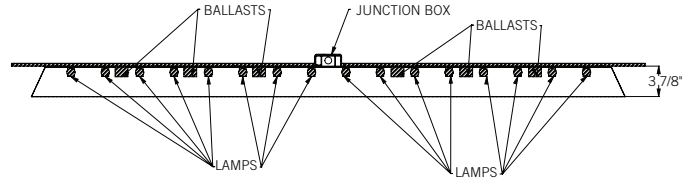
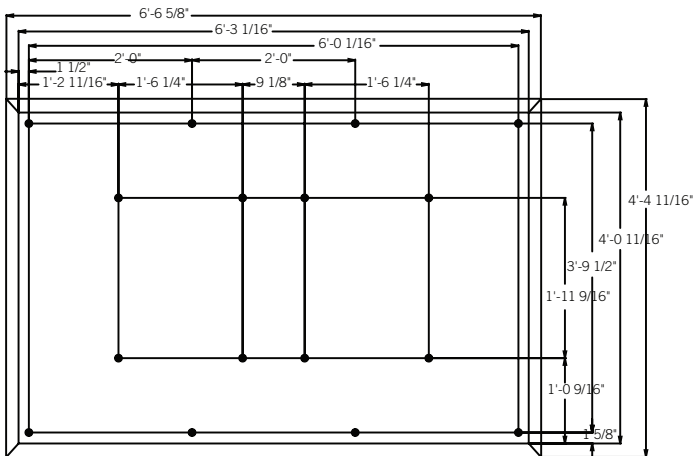
TYPE \_\_\_\_\_  
PROJECT \_\_\_\_\_

## DIMENSIONS & DETAILS cont'd

4' X 4'



4' X 6'



Installation Instructions may be found at [www.energielighting.com](http://www.energielighting.com).



Energie LLC, 4885 Ward Road, Suite 300, Wheat Ridge CO 80033 Tel 720.963.8055 Fax 720.963.8044 [www.energielighting.com](http://www.energielighting.com)  
In an effort to continually improve our products, we reserve the right to change or modify designs and/or materials without prior notice.  
All rights reserved. These products may be covered by one or more U.S. or international patents or patents pending. 07/10

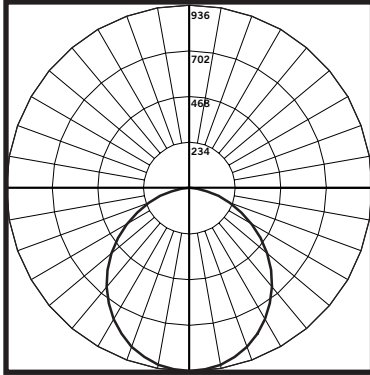
énergie®

# FLYING SURFACE

TYPE \_\_\_\_\_  
PROJECT \_\_\_\_\_

## PHOTOMETRICS

FLS-22-120-SUR \_\_\_\_\_



### CANDELA DISTRIBUTION

	0
0	935.90
5	931.52
10	917.90
15	895.06
20	863.32
25	823.14
30	774.82
35	719.53
40	658.14
45	591.41
50	520.28
55	445.99
60	369.87
65	294.36
70	221.58
75	153.89
80	93.01
85	42.02
90	6.58

### ZONAL LUMEN SUMMARY

ZONE	LUMENS
0-10	88.48
10-20	252.46
20-30	379.1
30-40	449.91
40-50	456
50-60	398.68
60-70	292.11
70-80	164.21
80-90	50
90-100	0
100-110	0
110-120	0
120-130	0
130-140	0
140-150	0
150-160	0
160-170	0
170-180	0

### LUMINAIRE

**Description:** Flying Surface 2' x 2' Surface Mount

**Catalog Number:** FLS-22-120-SUR

**Efficiency:** 31.2%

**Distribution:** 100% Direct

### ZONAL LUMEN SUMMARY

ZONE	LUMENS	% LAMP	% FIXT
0 - 30	720.04	8.9	28.4
0 - 40	1169.95	14.4	46.2
0 - 60	2024.63	25	80
0 - 90	2530.95	31.2	100
90-120	0	0	0
90 - 130	0	0	0
90 - 150	0	0	0
90 - 180	0	0	0
0 - 180	2530.95	31.2	100

### LUMINANCE (Candela/sq meter)

ANGLE	0-DEG	90-DEG	180-DEG
45	1527	1527	1527
55	1419	1419	1419
65	1271	1271	1271
75	1085	1085	1085
85	880	880	880

### COEFFICIENTS OF UTILIZATION

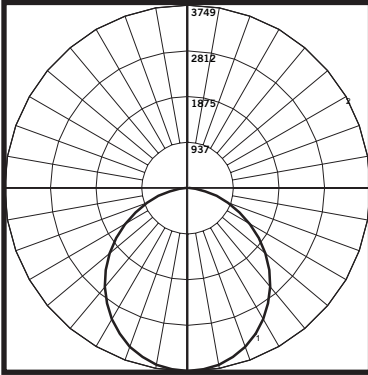
RC RW	80				70				50			30			10			0
	70	50	30	10	70	50	30	10	50	30	10	50	30	10	50	30	10	0
0	37	37	37	37	36	36	36	36	35	35	35	33	33	33	32	32	32	31
1	34	33	31	30	33	32	31	30	30	29	29	29	28	28	28	27	27	26
2	31	28	26	25	30	28	26	24	27	25	24	26	24	23	25	24	23	22
3	28	25	22	20	27	25	22	20	24	22	20	23	21	20	22	20	19	19
4	26	22	19	17	25	22	19	17	21	19	17	20	18	17	20	18	17	16
5	24	20	17	15	23	19	17	15	19	17	15	18	16	15	18	16	14	14
6	22	18	15	13	21	18	15	13	17	15	13	16	14	13	16	14	13	12
7	20	16	14	12	20	16	13	12	15	13	11	15	13	11	15	13	11	11
8	19	15	12	10	19	15	12	10	14	12	10	14	12	10	13	12	10	10
9	18	14	11	9	17	13	11	9	13	11	9	13	11	9	12	11	9	9
10	17	13	10	8	16	12	10	8	12	10	8	12	10	8	12	10	8	8

# FLYING SURFACE

TYPE \_\_\_\_\_  
PROJECT \_\_\_\_\_

## PHOTOMETRICS

FLS-44-120-SUR \_\_\_\_\_



### CANDELA DISTRIBUTION

	0
0	3749.36
5	3731.84
10	3677.29
15	3585.78
20	3458.6
25	3297.62
30	3104.08
35	2882.56
40	2636.62
45	2369.29
50	2084.35
55	1786.7
60	1481.77
65	1179.26
70	887.69
75	616.50
80	372.62
85	168.33
90	26.36

### ZONAL LUMEN SUMMARY

ZONE	LUMENS
0-10	354.48
10-20	1011.4
20-30	1518.74
30-40	1802.41
40-50	1826.81
50-60	1597.19
60-70	1170.27
70-80	657.83
80-90	200.3
90-100	0
100-110	0
110-120	0
120-130	0
130-140	0
140-150	0
150-160	0
160-170	0
170-180	0

### LUMINAIRE

**Description:** Flying Surface 4' x 4' Surface Mount

**Catalog Number:** FLS-44-120-SUR

**Efficiency:** 31.2%

**Distribution:** 100% Direct

### ZONAL LUMEN SUMMARY

ZONE	LUMENS	% LAMP	% FIXT
0 - 30	2884.62	8.9	28.4
0 - 40	4687.03	14.4	46.2
0 - 60	8111.03	25	80
0 - 90	10139.43	31.2	100
90-120	0	0	0
90 - 130	0	0	0
90 - 150	0	0	0
90 - 180	0	0	0
0 - 180	10139.43	31.2	100

### LUMINANCE (Candela/sq meter)

ANGLE	0-DEG	90-DEG	180-DEG
45	1865	1865	1865
55	1734	1734	1734
65	1553	1553	1553
75	1326	1326	1326
85	1075	1075	1075

### COEFFICIENTS OF UTILIZATION

RC RW	80				70				50			30			10			0
	70	50	30	10	70	50	30	10	50	30	10	50	30	10	50	30	10	0
0	37	37	37	37	36	36	36	36	35	35	35	33	33	33	32	32	32	31
1	34	33	31	30	33	32	31	30	30	29	29	29	28	28	28	27	27	26
2	31	28	26	25	30	28	26	24	27	25	24	26	24	23	25	24	23	22
3	28	25	22	20	27	25	22	20	24	22	20	23	21	20	22	20	19	19
4	26	22	19	17	25	22	19	17	21	19	17	20	18	17	20	18	17	16
5	24	20	17	15	23	19	17	15	19	17	15	18	16	15	18	16	14	14
6	22	18	15	13	21	18	15	13	17	15	13	16	14	13	16	14	13	12
7	20	16	14	12	20	16	13	12	15	13	11	15	13	11	15	13	11	11
8	19	15	12	10	19	15	12	10	14	12	10	14	12	10	13	12	10	10
9	18	14	11	9	17	13	11	9	13	11	9	13	11	9	12	11	9	9
10	17	13	10	8	16	12	10	8	12	10	8	12	10	8	12	10	8	8

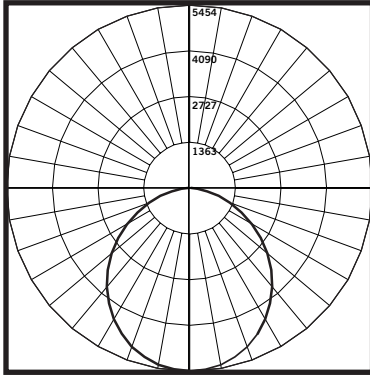


# FLYING SURFACE

TYPE \_\_\_\_\_  
PROJECT \_\_\_\_\_

## PHOTOMETRICS

FLS-46-120-SUR



### CANDELA DISTRIBUTION

	0
0	5453.62
5	5428.13
10	5348.78
15	5215.67
20	5030.7
25	4796.54
30	4515.02
35	4192.82
40	3835.08
45	3446.24
50	3031.78
55	2598.83
60	2155.3
65	1715.29
70	1291.19
75	896.72
80	542.00
85	244.84
90	38.34

### ZONAL LUMEN SUMMARY

ZONE	LUMENS
0-10	515.61
10-20	1471.12
20-30	2209.08
30-40	2621.68
40-50	2657.17
50-60	2323.19
60-70	1702.21
70-80	956.85
80-90	291.34
90-100	0
100-110	0
110-120	0
120-130	0
130-140	0
140-150	0
150-160	0
160-170	0
170-180	0

### LUMINAIRE

**Description:** Flying Surface 4' x 6' Surface Mount

**Catalog Number:** FLS-46-120-SUR

**Efficiency:** 31.2%

**Distribution:** 100% Direct

### ZONAL LUMEN SUMMARY

ZONE	LUMENS	% LAMP	% FIXT
0 - 30	4195.82	8.9	28.4
0 - 40	6817.5	14.4	46.2
0 - 60	11797.86	25	80
0 - 90	14748.25	31.2	100
90 - 120	0	0	0
90 - 130	0	0	0
90 - 150	0	0	0
90 - 180	0	0	0
0 - 180	14748.25	31.2	100

### LUMINANCE (Candela/sq meter)

ANGLE	0-DEG	90-DEG	180-DEG
45	1823	1823	1823
55	1695	1695	1695
65	1518	1518	1518
75	1296	1296	1296
85	1051	1051	1051

### COEFFICIENTS OF UTILIZATION

RC RW	80				70				50			30			10			0
	70	50	30	10	70	50	30	10	50	30	10	50	30	10	50	30	10	0
0	37	37	37	37	36	36	36	36	35	35	35	33	33	33	32	32	32	31
1	34	33	31	30	33	32	31	30	30	29	29	29	28	28	28	27	27	26
2	31	28	26	25	30	28	26	24	27	25	24	26	24	23	25	24	23	22
3	28	25	22	20	27	25	22	20	24	22	20	23	21	20	22	20	19	19
4	26	22	19	17	25	22	19	17	21	19	17	20	18	17	20	18	17	16
5	24	20	17	15	23	19	17	15	19	17	15	18	16	15	18	16	14	14
6	22	18	15	13	21	18	15	13	17	15	13	16	14	13	16	14	13	12
7	20	16	14	12	20	16	13	12	15	13	11	15	13	11	15	13	11	11
8	19	15	12	10	19	15	12	10	14	12	10	14	12	10	13	12	10	10
9	18	14	11	9	17	13	11	9	13	11	9	13	11	9	12	11	9	9
10	17	13	10	8	16	12	10	8	12	10	8	12	10	8	12	10	8	8

