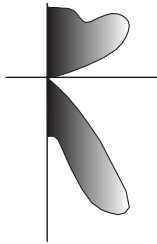
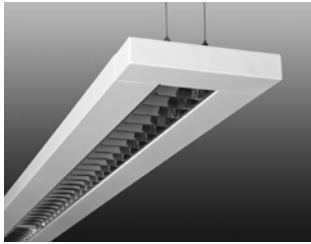


ENTHUSE PENDANT



Photometric Drawing for
(1) 28W T5 lamp

TYPE _____ PROJECT _____



CATALOG NUMBER

FIXTURE	OVERALL ROW LENGTH	MAX SECTION LENGTH	SHIELDING	LAMPING (SEE CROSS SECTION)	VOLTAGE	OPTIONS*
ET1P Enthuse Pendant	# # must be specified in 4' increments	4 4' max. section length	RPX Specular louver	1T528 (1) 28W T5	120 120 v	DIM Electronic Dimming EM Emergency Battery Pack EMC Emergency Circuit FUS Fusing IDS Integral Daylight Sensor MAX Enthuse MAX SC Separate Switching
		8 8' max. section length	RSX Semi-specular louver	2T528 (2) 28W T5	277 277 v	
		12 12' max. section length		1T554 (1) 54W T5 high output	347 347 v	
				2T554 (2) 54W T5 high output		
				1T832 (1) 32W T8		

* DETAILS – OPTIONS

DIM Dimming ballast with 5 wire 0-10VDC control scheme

EM Emergency Battery Pack (4' section only)

EMC Emergency Circuit (4' section only)

FUS GLR fuse for each ballast

IDS Integral Daylight Sensor for 0-10VDC dimming (Dimming ballast included)

MAX Most efficient ballast available. See pg 2 for details.

SC Separate Switching (2 lamp only)

SPECIFICATIONS

Construction. Fixture body constructed of steel. Endcaps constructed of die-cast aluminum.

Finish. Fixture finished in white polyester powdercoat, RAL 9016.

Shielding. Lamps are shielded by Trilux patented louver technology with MIRO-SILVER®, available in

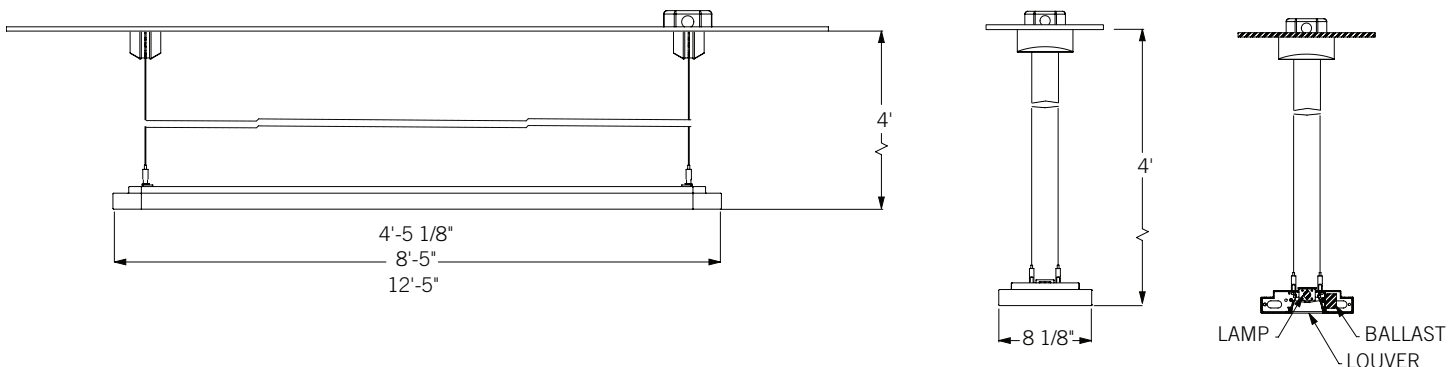
specular (>95% surface reflectance) and semi-specular versions (>94% surface reflectance). Louver is optically continuous across fixture length and joints.

Electrical. Specify 120, 277 or 347 volts. Fixture is UL/CUL Listed for damp locations.

Lamping. Choice of (1) or (2) 28 watt T5 or 54 watt T5 high output fluorescent lamps or (1) 32 watt T8 lamp. Lamp(s) not included.

Mounting. Fixture may be individually mounted or joined together to form linear runs. Fixtures are supplied with 48" fully adjustable aircraft cable.

DIMENSIONS & DETAILS



Installation instructions may be found at www.energielighting.com.



Energie LLC, 4885 Ward Road, Suite 300, Wheat Ridge CO 80033 Tel 720.963.8055 Fax 720.963.8044 www.energielighting.com

In an effort to continually improve our products, we reserve the right to change or modify designs and/or materials without prior notice. All rights reserved. These products may be covered by one or more U.S. or international patents or patents pending. 02/11



ENTHUSE PENDANT

TYPE _____
PROJECT _____

REQUIRED HARDWARE

ETH1-END	ENDCAP – Enthuse Endcaps 1 pair per fixture run.
EN-SUP-PEN	SUPPORT KIT – Enthuse Pendant Support Kit 1 support kit for each fixture in a run.
EN-FDK-PEN	FEED KIT – Enthuse Pendant Feed Kit At least 1 feed kit per fixture run. (see installation instructions)

OPTIONAL HARDWARE

EN-FDK-PEN-4W	FOUR WIRE FEED KIT – Enthuse Pendant four wire feed kit for -SC, -EM or 4 wire dimming optioned fixtures. Replaces all EN-FDK-PEN.
EN-FDK-PEN-5W	FIVE WIRE FEED KIT – Enthuse Pendant dimming feed kit for -DIM optioned fixtures (for 5 wire standard dimming ballast). Replaces all EN-FDK-PEN.
EN-FDK-PEN-EMC	EMERGENCY CIRCUIT FEED KIT – Enthuse Pendant emergency feed kit for -EMC optioned fixtures. Replaces (1) EN-SUP-PEN per emergency fixture.

-MAX OPTION

Fixtures ordered with the -MAX option will be built using the most efficient ballast available. This ballast will have the best balance of light output to reduced input wattage which, when coupled with a reduced wattage lamp, will result in the lowest possible watts per square foot. Please consult factory for ballast specifications.

-MAX fixture requirements:

- Fixtures must be 1T528 lampping
- Fixtures must be 8' in length
- For -MAX fixtures, -DIM, -EM and -IDS cannot be specified
- Fixtures must be 120v or 277v

EXAMPLES – COMPLETE ORDERS

If a customer orders (1) **ET1P-48-8-RPX-1T554-120**, the Energie breakdown is:

- (6) **ET1P-8-8-RPX-1T554-120** – Six 8' fixture modules
- (1) **ETH1-END** – One pair of Enthuse endcaps
- (6) **EN-SUP-PEN** – Six pendant support kits
- (1) **EN-FDK-PEN** – One pendant feed kit

If a customer orders (1) **ET1P-36-12-RPX-1T554-120-DIM**, the Energie breakdown is:

- (3) **ET1P-12-12-RPX-1T554-120-DIM** – Three 12' fixture modules with dimming
- (1) **ETH1-END** – One pair of Enthuse endcaps
- (3) **EN-SUP-PEN** – Three pendant support kits
- (1) **EN-FDK-PEN-5W** – One pendant dimming feed kit

If a customer orders (1) **ET1P-36-12-RPX-1T554-120-IDS**, the Energie breakdown is:

- (1) **ET1P-12-12-RPX-1T554-120-IDS** – One 12' fixture module with integral daylight sensor and dimming
- (2) **ET1P-12-12-RPX-1T554-120-DIM** – Two 12' fixture modules with dimming
- (1) **ETH1-END** – One pair of Enthuse endcaps
- (3) **EN-SUP-PEN** – Three pendant support kits
- (1) **EN-FDK-PEN** – One pendant feed kit

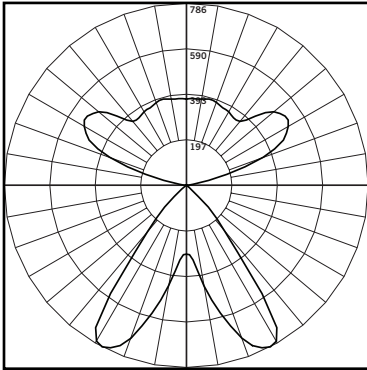


ENTHUSE PENDANT

TYPE _____
PROJECT _____

PHOTOMETRICS

ET1P-MAX



CANDELA DISTRIBUTION

	0	45	90
0	297	297	297
5	296	304	324
15	283	450	572
25	260	614	773
35	232	625	571
45	180	327	133
55	55	60	11
65	1	3	2
75	0	0	1
85	0	1	0
95	13	5	6
105	57	247	183
115	113	371	463
125	176	334	522
135	237	299	423
145	289	330	356
155	329	363	370
165	356	382	385
175	369	373	375

LUMINAIRE

Description: Enthuse-MAX Pendant with (1) 26 watt T5 GE WattMiser® fluorescent lamp, Universal ULT B228PUNV95-D ballast and specular louver

Catalog Number: ET1P-8-8-RPX-1T526-MAX (data for (1) 4-foot section only)

Efficiency: 98%

Distribution: 38% direct, 62% indirect
ANSI/IESNA RP-1-04 compliant at 55 degrees

LUMINANCE (Candela/sq meter)

ANGLE	0-DEG	45-DEG	90-DEG
45	2583	4693	1909
55	973	1061	195
65	24	72	48
75	0	0	39
85	0	0	0

ZONAL LUMEN SUMMARY

ZONE	LUMENS	% LAMP	% FIXT
0 - 30	416.4	15.8	16.1
0 - 40	736.52	27.9	28.5
0 - 60	990.11	37.5	38.3
0 - 90	994.43	37.7	38.4
90-120	530	20.1	20.5
90 - 130	836.34	31.7	32.3
90 - 150	1288.34	48.8	49.8
90 - 180	1591.99	60.3	61.6
0 - 180	2586.41	98	100

ZONAL LUMEN SUMMARY

ZONE	LUMENS
0-10	30.9
10-20	125.06
20-30	260.44
30-40	320.12
40-50	200.14
50-60	53.18
60-70	3.86
70-80	.46
80-90	0
90-100	25.27
100-110	193.35
110-120	311.38
120-130	306.34
130-140	246.43
140-150	205.57
150-160	163.53
160-170	104.64
170-180	35.47

COEFFICIENTS OF UTILIZATION

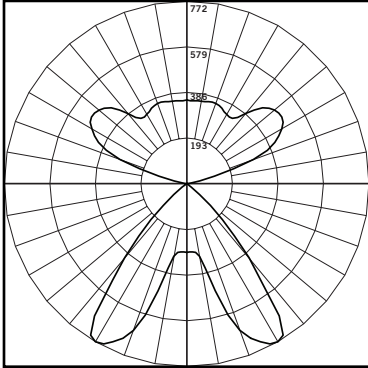
RC RW	80				70				50			30			10			0
	70	50	30	10	70	50	30	10	50	30	10	50	30	10	50	30	10	0
0	102	102	102	102	93	93	93	93	75	75	75	59	59	59	45	45	45	38
1	95	91	88	85	86	83	80	78	68	66	64	54	53	52	41	41	40	34
2	87	81	76	71	79	74	70	66	61	58	55	49	47	45	38	37	36	31
3	80	72	66	61	73	66	61	56	55	51	48	44	42	40	35	33	32	28
4	73	64	58	52	67	59	53	49	49	45	42	40	37	35	32	30	28	25
5	68	58	51	45	62	53	47	43	45	40	37	37	33	31	29	27	25	22
6	63	52	45	40	57	48	42	37	41	36	32	33	30	27	27	24	23	20
7	58	47	40	35	53	44	37	33	37	32	29	30	27	25	24	22	20	18
8	54	43	36	31	49	40	34	29	34	29	26	28	25	22	23	20	18	16
9	50	39	32	28	46	36	30	26	31	26	23	26	22	20	21	18	17	15
10	47	36	29	25	43	33	27	23	28	24	21	24	20	18	19	17	15	13

ENTHUSE PENDANT

TYPE _____
PROJECT _____

PHOTOMETRICS

ET1P-1T528



CANDELA DISTRIBUTION

	0	45	90
0	290	290	290
5	291	290	289
15	276	325	469
25	255	576	738
35	231	632	682
45	187	413	213
55	46	94	15
65	1	2	1
75	0	0	0
85	0	0	0
95	13	5	4
105	61	227	122
115	113	352	412
125	171	355	492
135	230	289	453
145	279	314	337
155	319	344	352
165	344	351	359
175	357	357	353

LUMINAIRE

Description: Enthuse Pendant with (1) 28 watt T5 lamp with semi-specular louver

Catalog Number: ET1P-4-4-RSX-1T528-120

Efficiency: 97%

Distribution: 40% direct, 60% indirect
ANSI/IESNA RP-1-04 compliant at 55 degrees

LUMINANCE (Candela/sq meter)

ANGLE	0-DEG	45-DEG	90-DEG
45	2670	5896	3041
55	810	1654	264
65	24	48	24
75	0	0	0
85	0	0	0

ZONAL LUMEN SUMMARY

ZONE	LUMENS	% LAMP	% FIXT
0 - 30	371.55	14.2	14.6
0 - 40	703.72	27	27.7
0 - 60	1013.59	38.8	39.9
0 - 90	1016.88	39	40
90-120	483.87	18.5	19.1
90 - 130	785.67	30.1	30.9
90 - 150	1233.13	47.2	48.6
90 - 180	1523.03	58.4	60
0 - 180	2539.91	97.3	100

ZONAL LUMEN SUMMARY

ZONE	LUMENS
0-10	27.82
10-20	103.46
20-30	240.27
30-40	332.17
40-50	243.77
50-60	66.1
60-70	3.26
70-80	.03
80-90	0
90-100	20.97
100-110	168.86
110-120	294.04
120-130	301.8
130-140	250.64
140-150	196.82
150-160	156.42
160-170	99.62
170-180	33.85

COEFFICIENTS OF UTILIZATION

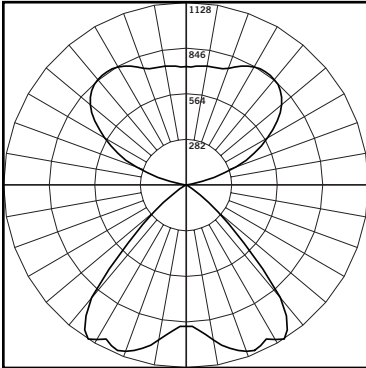
RC RW	80				70				50			30			10			0
	70	50	30	10	70	50	30	10	50	30	10	50	30	10	50	30	10	0
0	102	102	102	102	93	93	93	93	76	76	76	60	60	60	46	46	46	39
1	94	91	87	84	86	83	80	78	68	66	65	55	54	52	42	42	41	35
2	87	80	75	71	79	74	69	66	61	58	55	49	47	46	39	37	36	31
3	80	72	65	60	73	66	60	56	55	51	48	45	42	40	35	34	32	28
4	73	64	57	52	67	59	53	48	49	45	42	40	37	35	32	30	29	25
5	68	57	50	45	62	53	47	42	44	40	36	37	33	31	29	27	25	22
6	62	52	44	39	57	48	41	37	40	35	32	33	30	27	27	24	23	20
7	58	47	39	34	53	43	37	32	36	32	28	30	27	24	24	22	20	18
8	53	42	35	30	49	39	33	29	33	28	25	28	24	21	22	20	18	16
9	50	38	32	27	45	36	30	25	30	26	22	25	22	19	21	18	16	14
10	46	35	29	24	42	33	27	23	28	23	20	23	20	17	19	16	15	13

ENTHUSE PENDANT

TYPE _____
PROJECT _____

PHOTOMETRICS

ET1P-2T528



CANDELA DISTRIBUTION

	0	45	90
0	873	873	873
5	870	887	900
15	835	966	1045
25	773	1011	1094
35	693	980	1093
45	528	747	508
55	78	241	106
65	1	8	1
75	0	0	0
85	0	0	0
95	29	5	5
105	135	243	181
115	254	475	464
125	374	645	690
135	486	723	826
145	582	741	854
155	660	721	809
165	709	735	749
175	735	737	737

LUMINAIRE

Description: Enthuse Pendant with (2) 28 watt T5 lamps with semi-specular louver

Catalog Number: ET1P-4-4-RSX-2T528-120

Efficiency: 93%

Distribution: 42% direct, 58% indirect
ANSI/IESNA RP-1-04 compliant at 55 degrees

LUMINANCE (Candela/sq meter)

ANGLE	0-DEG	45-DEG	90-DEG
45	7538	10664	7252
55	1373	4242	1866
65	24	191	24
75	0	0	0
85	0	0	0

ZONAL LUMEN SUMMARY

ZONE	LUMENS	% LAMP	% FIXT
0 - 30	805.32	15.4	16.5
0 - 40	1391.85	26.7	28.5
0 - 60	2058.89	39.4	42.2
0 - 90	2068.47	39.6	42.4
90-120	679.48	13	13.9
90 - 130	1206.58	23.1	24.7
90 - 150	2191.47	42	44.9
90 - 180	2807.11	53.8	57.6
0 - 180	4875.58	93.4	100

ZONAL LUMEN SUMMARY

ZONE	LUMENS
0-10	85.58
10-20	269.65
20-30	450.09
30-40	586.54
40-50	499.41
50-60	167.63
60-70	9.48
70-80	.1
80-90	0
90-100	29.87
100-110	225.46
110-120	424.15
120-130	527.1
130-140	529.36
140-150	455.53
150-160	337.94
160-170	207.41
170-180	70.29

COEFFICIENTS OF UTILIZATION

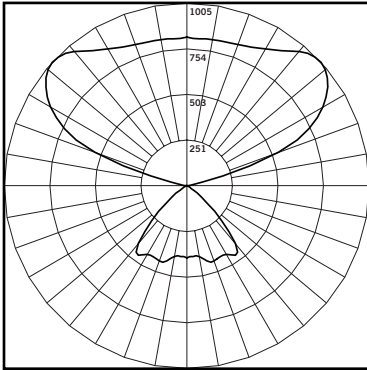
RC RW	80				70				50			30			10			0
	70	50	30	10	70	50	30	10	50	30	10	50	30	10	50	30	10	0
0	98	98	98	98	90	90	90	90	74	74	74	59	59	59	46	46	46	40
1	91	88	84	82	83	80	78	75	67	65	63	54	53	52	43	42	41	36
2	84	78	73	69	77	72	67	64	60	57	54	49	47	45	39	38	37	32
3	77	69	63	59	71	64	59	55	54	50	47	44	42	40	36	34	33	29
4	71	62	55	50	65	57	52	47	48	44	41	40	37	35	32	30	29	25
5	66	56	49	44	60	52	46	41	44	39	36	36	33	31	30	27	26	23
6	61	50	43	38	56	47	40	36	40	35	32	33	30	27	27	25	23	20
7	56	45	39	34	51	42	36	32	36	31	28	30	27	24	25	22	21	18
8	52	41	35	30	48	38	32	28	33	28	25	28	24	22	23	20	19	16
9	49	38	31	27	45	35	29	25	30	26	22	26	22	20	21	19	17	15
10	45	35	28	24	42	32	27	23	28	23	20	24	20	18	20	17	15	14

ENTHUSE PENDANT

TYPE _____
PROJECT _____

PHOTOMETRICS

ET1P-1T554



CANDELA DISTRIBUTION

	0	45	90
0	398	398	398
5	398	394	391
15	376	389	429
25	347	413	432
35	311	399	467
45	298	336	274
55	45	132	72
65	1	6	4
75	0	0	0
85	0	0	0
95	27	8	6
105	149	390	205
115	292	655	744
125	431	786	948
135	555	779	1002
145	660	776	908
155	742	788	843
165	795	809	819
175	820	817	813

LUMINAIRE

Description: Enthuse Pendant with (1) 54 watt T5 high output lamp with semi-specular louver

Catalog Number: ET1P-4-4-RSX-1T554-120

Efficiency: 97%

Distribution: 22% direct, 78% indirect
ANSI/IESNA RP-1-04 compliant at 55 degrees

LUMINANCE (Candela/sq meter)

ANGLE	0-DEG	45-DEG	90-DEG
45	4254	4797	3912
55	792	2323	1267
65	24	0	0
75	0	0	0
85	0	0	0

ZONAL LUMEN SUMMARY

ZONE	LUMENS	% LAMP	% FIXT
0 - 30	333.16	7.6	7.8
0 - 40	578.4	13.1	13.6
0 - 60	904.38	20.6	21.2
0 - 90	912.48	20.7	21.4
90-120	929.63	21.1	21.8
90 - 130	1583.67	36.0	37.2
90 - 150	2676.66	60.8	62.8
90 - 180	3348.92	76.1	78.6
0 - 180	4261.4	96.8	100

ZONAL LUMEN SUMMARY

ZONE	LUMENS
0-10	37.46
10-20	112.4
20-30	183.3
30-40	245.24
40-50	235.17
50-60	90.82
60-70	7.8
70-80	.29
80-90	0
90-100	35.4
100-110	307.82
110-120	586.41
120-130	654.04
130-140	602.77
140-150	490.22
150-160	365.77
160-170	228.57
170-180	77.91

COEFFICIENTS OF UTILIZATION

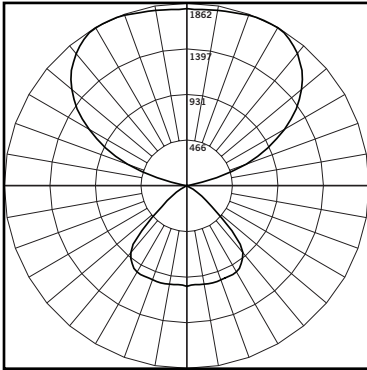
RC RW	80				70				50			30			10			0
	70	50	30	10	70	50	30	10	50	30	10	50	30	10	50	30	10	0
0	97	97	97	97	86	86	86	86	65	65	65	46	46	46	29	29	29	21
1	89	85	82	79	79	76	73	71	58	56	55	42	41	40	26	26	26	19
2	82	75	70	65	72	67	63	59	51	49	46	37	36	34	24	23	22	17
3	75	66	60	55	66	59	54	50	46	42	39	33	31	29	22	21	20	15
4	68	59	52	47	61	53	47	42	41	37	34	30	27	25	20	18	17	13
5	63	53	45	40	56	47	41	36	37	32	29	27	24	22	18	16	15	12
6	58	47	40	35	51	42	36	32	33	29	25	24	22	19	16	15	14	10
7	53	42	35	30	47	38	32	28	30	25	22	22	19	17	15	13	12	9
8	49	38	31	27	44	34	28	24	27	23	20	20	17	15	14	12	11	8
9	46	35	28	24	41	31	26	22	25	20	18	18	16	14	13	11	10	7
10	43	32	25	21	38	29	23	19	23	19	16	17	14	12	12	10	9	7

ENTHUSE PENDANT

TYPE _____
PROJECT _____

PHOTOMETRICS

ET1P-2T554



CANDELA DISTRIBUTION

	0	45	90
0	1027	1027	1027
5	1024	1020	1013
15	970	999	1026
25	894	957	1018
35	797	910	970
45	748	740	651
55	113	305	186
65	4	15	8
75	1	2	1
85	0	0	0
95	68	9	9
105	348	463	314
115	661	925	914
125	965	1287	1366
135	1235	1541	1665
145	1460	1691	1826
155	1640	1763	1862
165	1755	1798	1830
175	1813	1811	1804

LUMINAIRE

Description: Enthuse Pendant with (2) 54 watt T5 high output lamps with semi-specular louver

Catalog Number: ET1P-4-4-RSX-2T554-120

Efficiency: 94%

Distribution: 26% direct, 74% indirect

LUMINANCE (Candela/sq meter)

ANGLE	0-DEG	45-DEG	90-DEG
45	10679	10564	9294
55	1989	5368	3274
65	96	358	191
75	39	78	39
85	0	0	0

ZONAL LUMEN SUMMARY

ZONE	LUMENS	% LAMP	% FIXT
0 - 30	819.89	9.3	9.9
0 - 40	1380.35	15.7	16.6
0 - 60	2132.09	24.2	25.7
0 - 90	2153.19	24.5	25.9
90-120	1356.59	15.4	16.3
90 - 130	2460.35	28	29.6
90 - 150	4660.82	53	56.1
90 - 180	6153.28	69.9	74.1
0 - 180	8306.48	94.4	100

ZONAL LUMEN SUMMARY

ZONE	LUMENS
0-10	97
10-20	281.71
20-30	441.17
30-40	560.46
40-50	537.61
50-60	214.14
60-70	19.03
70-80	1.76
80-90	.31
90-100	56.34
100-110	438.7
110-120	861.55
120-130	1103.76
130-140	1155.95
140-150	1044.52
150-160	811.57
160-170	508.35
170-180	172.54

COEFFICIENTS OF UTILIZATION

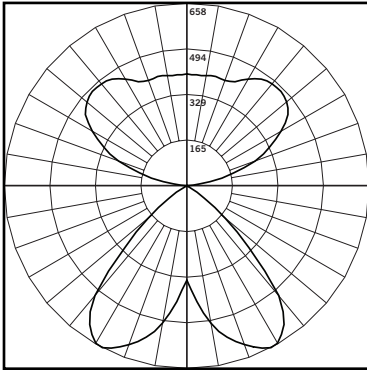
RC RW	80				70				50			30			10			0
	70	50	30	10	70	50	30	10	50	30	10	50	30	10	50	30	10	0
0	96	96	96	96	85	85	85	85	66	66	66	48	48	48	32	32	32	24
1	88	84	81	78	78	75	73	70	59	57	56	44	43	42	29	29	29	22
2	81	74	69	65	72	67	62	59	52	50	47	39	37	36	27	26	25	20
3	74	66	60	55	66	59	54	50	47	43	40	35	33	31	24	23	22	17
4	68	59	52	47	60	53	47	43	42	38	35	32	29	27	22	21	20	15
5	62	52	45	40	56	47	41	37	38	33	30	29	26	24	20	19	17	14
6	57	47	40	35	51	42	36	32	34	30	26	26	23	21	18	17	15	12
7	53	42	35	31	47	38	32	28	31	26	23	24	21	18	17	15	14	11
8	49	38	32	27	44	35	29	25	28	24	21	21	19	16	15	14	12	10
9	46	35	28	24	41	32	26	22	26	21	18	20	17	15	14	12	11	9
10	43	32	26	21	38	29	23	20	23	19	16	18	15	13	13	11	10	8

ENTHUSE PENDANT

TYPE _____
PROJECT _____

PHOTOMETRICS

ET1P-1T832



CANDELA DISTRIBUTION

	0	45	90
0	340	340	340
5	337	394	419
15	323	502	565
25	301	560	645
35	274	574	611
45	231	410	317
55	45	131	78
65	0	5	1
75	0	0	0
85	0	0	0
95	14	28	22
105	70	187	176
115	133	312	330
125	200	377	446
135	264	395	482
145	320	378	469
155	362	385	413
165	390	399	407
175	404	404	401

LUMINAIRE

Description: Enthuse Pendant with (1) 32 watt T8 lamp with semi-specular louver

Catalog Number: ET1P-4-4-RSX-1T832-120

Efficiency: 94%

Distribution: 40% direct, 60% indirect
ANSI/IESNA RP-1-04 compliant at 55 degrees

LUMINANCE (Candela/sq meter)

ANGLE	0-DEG	45-DEG	90-DEG
45	3298	5853	4526
55	792	2306	1373
65	0	119	24
75	0	0	0
85	0	0	0

ZONAL LUMEN SUMMARY

ZONE	LUMENS	% LAMP	% FIXT
0 - 30	416.18	14.1	15
0 - 40	737.48	25	26.6
0 - 60	1114.01	37.8	40.1
0 - 90	1120.27	38	40.3
90-120	481.04	16.3	17.3
90 - 130	789.95	26.8	28.5
90 - 150	1326.13	45	47.8
90 - 180	1656.18	56.1	59.7
0 - 180	2776.45	94.1	100

ZONAL LUMEN SUMMARY

ZONE	LUMENS
0-10	38.23
10-20	135.34
20-30	242.61
30-40	321.3
40-50	276.32
50-60	100.21
60-70	6.22
70-80	.03
80-90	0
90-100	39.13
100-110	171.01
110-120	270.9
120-130	308.91
130-140	292.81
140-150	243.37
150-160	178.98
160-170	112.7
170-180	38.37

COEFFICIENTS OF UTILIZATION

RC RW	80				70				50			30			10			0
	70	50	30	10	70	50	30	10	50	30	10	50	30	10	50	30	10	0
0	99	99	99	99	90	90	90	90	73	73	73	58	58	58	44	44	44	38
1	91	88	84	82	83	80	77	75	66	64	63	53	52	51	41	40	40	34
2	84	78	73	69	76	71	67	63	59	56	54	48	46	44	38	36	35	31
3	77	69	63	58	70	64	58	54	53	49	46	43	41	39	34	33	31	27
4	71	62	55	50	65	57	51	47	48	43	40	39	36	34	31	29	28	24
5	65	55	48	43	60	51	45	40	43	38	35	35	32	30	28	26	24	21
6	60	50	43	38	55	46	40	35	39	34	31	32	29	26	26	24	22	19
7	56	45	38	33	51	42	36	31	35	31	27	29	26	23	24	21	20	17
8	52	41	34	29	47	38	32	28	32	28	24	27	23	21	22	19	18	15
9	48	37	31	26	44	35	29	25	29	25	22	25	21	19	20	18	16	14
10	45	34	28	23	41	32	26	22	27	23	19	23	19	17	18	16	14	12