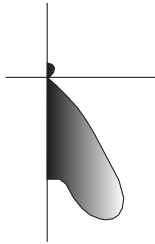
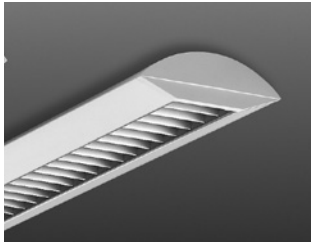


ENSPIRE SURFACE



Photometric Drawing for
(1) 28W T5 Lamp

TYPE _____ PROJECT _____



CATALOG NUMBER

FIXTURE	OVERALL ROW LENGTH	MAX SECTION LENGTH	SHIELDING	TOP COVER	LAMPING (SEE CROSS SECTION)	VOLTAGE	OPTIONS*
EP1S Enspire Surface-mount	# # must be specified in 4' increments	4 4' max. section length	RPX Specular louver	PRF Perforated Top Cover	1T528 (1) 28W T5	120 120 v	DIM Electronic Dimming
		8 8' max. section length	RSX Semi-specular louver	SLD Solid Top Cover	2T528 (2) 28W T5	277 277 v	EM Emergency Battery Pack
		12 12' max. section length			1T554 (1) 54W T5 high output	347 347 v	EMC Emergency Circuit
					2T554 (2) 54W T5 high output		FUS Fusing
							IDS Integral Daylight Sensor
					1T832 (1) 32W T8		SC Separate Switching

*** DETAILS – OPTIONS**

DIM Dimming ballast with 5 wire 0-10VDC control scheme

EM Emergency Battery Pack (4' section only)

EMC Emergency Circuit (4' section only)

FUS GLR fuse for each ballast

IDS Integral Daylight Sensor for 0-10VDC dimming (Dimming ballast included)

SC Separate Switching (2 lamp only)

SPECIFICATIONS

Construction. Fixture body constructed of steel. Endcaps constructed of injection molded polycarbonate. Fixtures join with internal fasteners.

Finish. Fixture finished in white polyester powdercoat, RAL 9016.

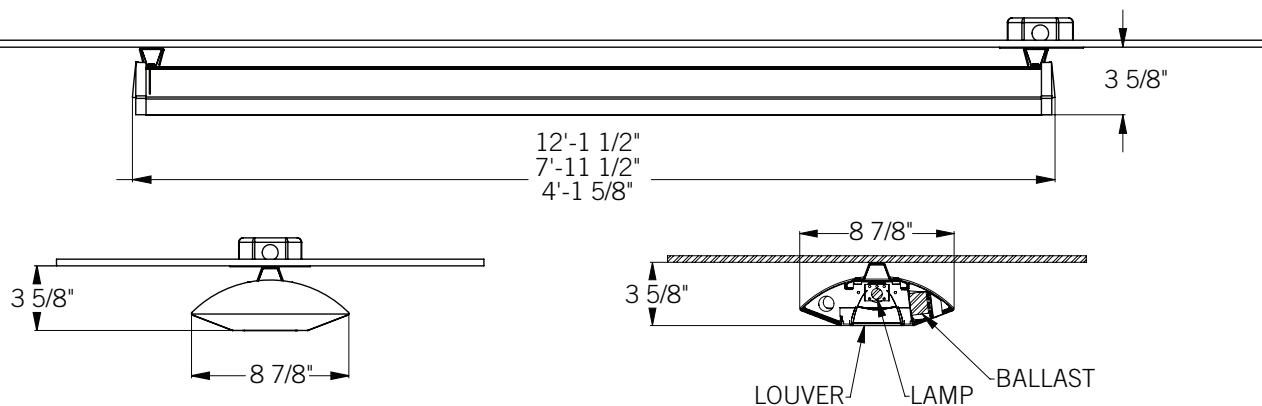
Shielding. Lamps are shielded by Trilux patented louver technology with MIRO-SILVER®, available in specular (>95% surface reflectance) and semi-specular versions (>94% surface reflectance). Louver is optically continuous across fixture length and joints.

Electrical. Specify 120, 277 or 347 volts. Fixture is UL/CUL Listed for damp locations.

Lamping. Choice of (1) or (2) 28 watt T5 or 54 watt T5 high output fluorescent lamps or (1) 32 watt T8 lamp. Lamp(s) not included.

Mounting. Fixture surface-mounts to hard or grid ceilings.

DIMENSIONS & DETAILS



Installation instructions may be found at www.energielighting.com.



Energie LLC, 4885 Ward Road, Ste. 300, Wheat Ridge, CO 80033 Tel 720.963.8055 Fax 720.963.8044 www.energielighting.com
In an effort to continually improve our products, we reserve the right to change or modify designs and/or materials without prior notice.
All rights reserved. These products may be covered by one or more U.S. or international patents or patents pending. 01/11



ENSPIRE SURFACE

TYPE _____
PROJECT _____

REQUIRED HARDWARE

ESP1-END	ENDCAP – Enspire Endcaps 1 pair per fixture run
EN-SUP-SUR	SUPPORT KIT – Enspire Surface Support Kit 1 support kit for each fixture in a run. Mounting.
EN-FDK-SUR	FEED KIT – Enspire Surface Feed Kit At least 1 feed kit per fixture run. (see installation instructions)

OPTIONAL HARDWARE

EN-FDK-SUR-DIM	DIMMING – Enspire Surface dimming feed kit for -DIM optioned fixtures (for 5 wire standard dimming ballast) Replaces all EN-FDK-SUR
EN-FDK-SUR-EMC	EMERGENCY FEED KIT – Enspire Surface emergency feed kit for either -EM or -EMC optioned fixtures Replaces (1) EN-SUP-PEN per emergency fixture
EN-FDK-SUR-4W	FOUR WIRE FEED KIT – Enspire Surface separate circuit feed kit for -SC optioned fixtures (4 wire feed kit) Replaces all EN-FDK-SUR
EN-FDK-SUR-5W	FIVE WIRE FEED KIT – Enspire Surface dimming feed kit for -DIM optioned fixtures (for 5 wire standard dimming ballast) Replaces all EN-FDK-SUR

EXAMPLES – COMPLETE ORDERS

If a customer orders (1) **EP1S-48-8-RPX-PRF-1T554-120**, the Energie breakdown is:

- (6) **EP1S-8-8-RPX-PRF-1T554-120** – Six 8' fixture modules
- (1) **ESP1-END** – One pair of Enspire endcaps
- (6) **EN-SUP-SUR** – Six surface support kits
- (1) **EN-FDK-SUR** – One surface feed kit

If a customer orders (1) **EP1S-36-12-RPX-PRF-1T554-120-DIM**, the Energie breakdown is:

- (3) **EP1S-12-12-RPX-PRF-1T554-120-DIM** – Three 12' fixture modules with dimming
- (1) **ESP1-END** – One pair of Enspire endcaps
- (3) **EN-SUP-SUR** – Three surface support kits
- (1) **EN-FDK-SUR-5W** – One surface dimming feed kit

If a customer orders (1) **EP1S-36-12-RPX-PRF-1T554-120-IDS**, the Energie breakdown is:

- (1) **EP1S-12-12-RPX-PRF-1T554-120-IDS** – One 12' fixture module with integral daylight sensor and dimming
- (2) **EP1S-12-12-RPX-PRF-1T554-120-DIM** – Two 12' fixture modules with dimming
- (1) **ESP1-END** – One pair of Enspire endcaps
- (3) **EN-SUP-SUR** – Three surface support kits
- (1) **EN-FDK-SUR** – One surface feed kit

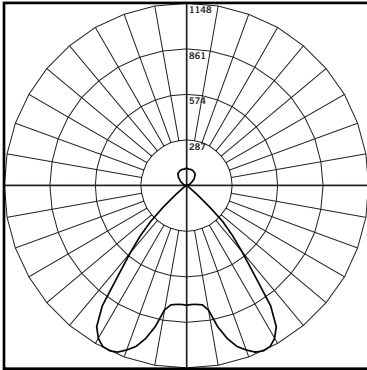


ENSPIRE SURFACE

TYPE _____
PROJECT _____

PHOTOMETRICS

EP1S-RSX-PRF-1T528



CANDELA DISTRIBUTION

	0	45	90
0	754	754	754
5	754	753	750
15	722	811	998
25	666	1018	1148
35	591	967	924
45	459	591	319
55	73	145	8
65	1	6	1
75	0	0	0
85	0	0	0
95	0	1	1
105	7	9	8
115	23	24	26
125	44	48	45
135	64	72	71
145	81	88	93
155	95	98	101
165	104	102	104
175	109	108	106

LUMINAIRE

Description: Enspire Surface with (1) 28 watt T5 lamp, perforated top and semi-specular louver

Catalog Number: EP1S-4-4-RSX-PRF-1T528-120

Efficiency: 79%

Distribution: 87% direct, 13% indirect
ANSI/ESNA RP-1-04 compliant at 55 degrees

LUMINANCE (Candela/sq meter)

ANGLE	0-DEG	45-DEG	90-DEG
45	7426	9562	5161
55	1456	2892	160
65	27	162	27
75	0	0	0
85	0	0	0

ZONAL LUMEN SUMMARY

ZONE	LUMENS	% LAMP	% FIXT
0 - 30	748.79	28.7	36.4
0 - 40	1283.78	49.2	62.4
0 - 60	1777.09	68.1	86.4
0 - 90	1782.86	63.2	86.7
90-120	37.74	1.4	1.8
90 - 130	80.03	3.1	3.9
90 - 150	188.43	7.2	9.2
90 - 180	272.97	10.5	13.3
0 - 180	2055.83	78.8	100

ZONAL LUMEN SUMMARY

ZONE	LUMENS
0-10	72.04
10-20	239.83
20-30	436.85
30-40	535.05
40-50	387.23
50-60	106.08
60-70	5.66
70-80	.11
80-90	0
90-100	1.79
100-110	10.31
110-120	25.65
120-130	42.28
130-140	53.91
140-150	54.5
150-160	45.11
160-170	29.21
170-180	10.22

COEFFICIENTS OF UTILIZATION

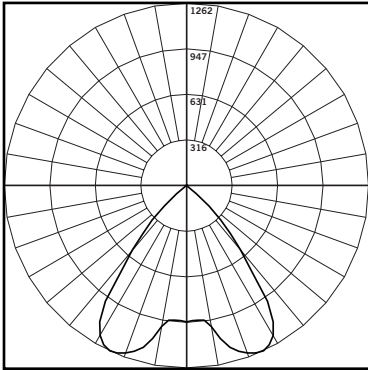
RC RW	80				70				50			30			10			0
	70	50	30	10	70	50	30	10	50	30	10	50	30	10	50	30	10	0
0	91	91	91	91	88	88	88	88	82	82	82	76	76	76	71	71	71	68
1	86	83	81	79	83	80	78	76	75	74	72	71	69	68	66	65	64	62
2	80	75	71	68	77	73	70	67	69	66	67	65	63	61	61	59	58	56
3	75	68	63	60	72	66	62	58	63	59	56	59	56	54	56	54	52	50
4	69	62	57	52	67	60	55	52	57	53	50	54	51	48	52	49	46	45
5	65	56	51	47	62	55	50	46	52	48	44	50	46	43	47	44	42	40
6	60	51	46	41	58	50	45	41	48	43	40	46	42	39	44	40	38	36
7	56	47	41	37	54	46	41	37	44	39	36	42	38	35	40	37	34	32
8	52	43	37	33	51	42	37	33	40	36	32	39	35	32	37	33	31	29
9	49	40	34	30	47	39	34	30	37	33	29	36	32	29	34	31	28	27
10	46	37	31	28	44	36	31	27	35	30	27	33	29	26	32	28	26	24

ENSPIRE SURFACE

TYPE _____
PROJECT _____

PHOTOMETRICS

EP1S-RSX-SLD-1T528



CANDELA DISTRIBUTION

	0	45	90
0	944	944	944
5	945	942	936
15	905	1002	1159
25	833	1152	1262
35	733	1053	980
45	557	619	336
55	90	155	9
65	0	5	0
75	0	0	0
85	0	0	0
95			
105			
115			
125			
135			
145			
155			
165			
175			

LUMINAIRE

Description: Enspire Surface with (1) 28 watt T5 lamp, solid top and semi-specular louver

Catalog Number: EP1S-4-4-RSX-SLD-1T528-120

Efficiency: 77%

Distribution: 100% direct
ANSI/ESNA RP-1-04 compliant at 55 degrees

LUMINANCE (Candela/sq meter)

ANGLE	0-DEG	45-DEG	90-DEG
45	9012	10015	5436
55	1795	3092	180
65	0	135	0
75	0	0	0
85	0	0	0

ZONAL LUMEN SUMMARY

ZONE	LUMENS	% LAMP	% FIXT
0 - 30	880.28	33.7	43.8
0 - 40	1473.25	56.4	73.2
0 - 60	2006.76	76.9	99.7
0 - 90	2011.83	77.1	100
90-120	0	0	0
90 - 130	0	0	0
90 - 150	0	0	0
90 - 180	0	0	0
0 - 180	2011.83	77.1	100

ZONAL LUMEN SUMMARY

ZONE	LUMENS
0-10	89.93
10-20	289.31
20-30	501.04
30-40	592.96
40-50	419.84
50-60	113.67
60-70	5.07
70-80	0
80-90	0
90-100	0
100-110	0
110-120	0
120-130	0
130-140	0
140-150	0
150-160	0
160-170	0
170-180	0

COEFFICIENTS OF UTILIZATION

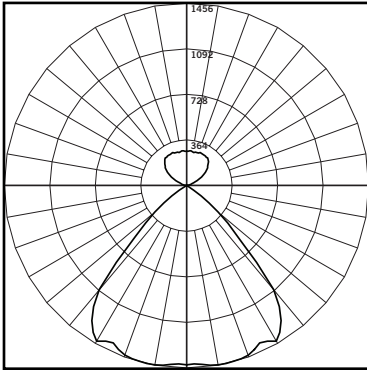
RC RW	80				70				50			30			10			0
	70	50	30	10	70	50	30	10	50	30	10	50	30	10	50	30	10	0
0	92	92	92	92	90	90	90	90	86	86	86	82	82	82	79	79	79	77
1	87	84	82	80	85	82	80	79	79	78	76	76	75	74	74	73	72	70
2	81	77	73	70	79	75	72	69	73	70	68	70	68	66	68	66	65	63
3	76	70	65	62	74	69	65	61	67	63	60	65	62	59	63	60	58	57
4	71	64	59	55	69	63	58	54	61	57	54	59	56	53	58	55	52	51
5	66	58	53	49	65	57	52	49	56	51	48	55	51	48	53	50	47	46
6	62	53	48	44	60	53	47	44	51	47	43	50	46	43	49	45	43	41
7	58	49	43	39	57	48	43	39	47	43	39	46	42	39	45	42	39	37
8	54	45	40	36	53	45	39	36	44	39	35	43	38	35	42	38	35	34
9	51	42	36	33	50	41	36	32	40	36	32	40	35	32	39	35	32	31
10	48	39	33	30	47	38	33	30	38	33	30	37	33	29	36	32	29	28

ENSPIRE SURFACE

TYPE _____
PROJECT _____

PHOTOMETRICS

EP1S-RSX-PRF-2T528



CANDELA DISTRIBUTION

	0	45	90
0	1431	1431	1431
5	1432	1436	1434
15	1373	1430	1454
25	1271	1358	1385
35	1138	1245	1317
45	886	911	584
55	107	295	143
65	1	12	3
75	0	0	0
85	0	0	0
95	3	4	4
105	26	30	34
115	74	95	94
125	123	169	185
135	171	221	244
145	211	248	276
155	243	263	283
165	263	269	275
175	273	277	278

LUMINAIRE

Description: Enspire Surface with (2) 28 watt T5 lamps, perforated top and semi-specular louver

Catalog Number: EP1S-4-4-RSX-PRF-2T528-120

Efficiency: 69%

Distribution: 77% direct, 23% indirect
ANSI/ESNA RP-1-04 compliant at 55 degrees

LUMINANCE (Candela/sq meter)

ANGLE	0-DEG	45-DEG	90-DEG
45	14335	14740	9449
55	2134	5884	2852
65	27	325	81
75	0	0	0
85	0	0	0

ZONAL LUMEN SUMMARY

ZONE	LUMENS	% LAMP	% FIXT
0 - 30	1162.54	22.3	32.1
0 - 40	1936.17	37.1	53.5
0 - 60	2787.04	53.4	77
0 - 90	2799.39	53.6	77.3
90-120	129.28	2.5	3.6
90 - 130	274.95	5.3	7.6
90 - 150	596.63	11.4	16.5
90 - 180	821.33	15.7	22.7
0 - 180	3620.73	69.4	100

ZONAL LUMEN SUMMARY

ZONE	LUMENS
0-10	136.9
10-20	401.43
20-30	624.21
30-40	773.64
40-50	637.49
50-60	213.38
60-70	12.24
70-80	.11
80-90	0
90-100	5.51
100-110	33.42
110-120	90.36
120-130	145.67
130-140	166.83
140-150	154.75
150-160	121.66
160-170	76.74
170-180	26.4

COEFFICIENTS OF UTILIZATION

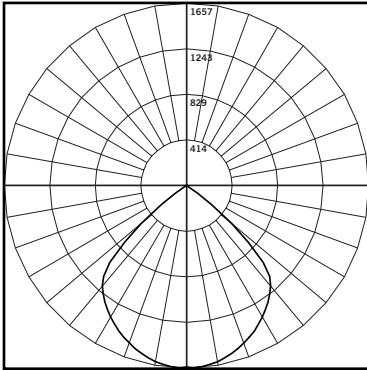
RC RW	80				70				50			30			10			0
	70	50	30	10	70	50	30	10	50	30	10	50	30	10	50	30	10	0
0	79	79	79	79	75	75	75	75	68	68	68	62	62	62	56	56	56	54
1	74	71	69	67	70	68	67	65	63	61	60	57	56	55	53	52	51	49
2	69	64	61	58	66	62	59	56	57	55	53	53	51	49	48	47	46	44
3	64	58	54	50	61	56	52	49	52	49	46	48	46	44	44	43	41	39
4	59	53	48	44	57	51	46	43	47	44	41	44	41	39	41	39	37	35
5	55	48	43	39	53	46	42	38	43	39	36	40	37	35	37	35	33	31
6	51	44	38	35	49	42	37	34	39	35	33	37	34	31	34	32	30	28
7	48	40	35	31	46	39	34	30	36	32	29	34	30	28	32	29	27	25
8	44	36	31	28	43	35	31	27	33	29	26	31	28	25	29	26	24	23
9	42	34	29	25	40	33	28	25	31	27	24	29	25	23	27	24	22	21
10	39	31	26	23	37	30	26	23	28	25	22	27	23	21	25	22	20	19

ENSPIRE SURFACE

TYPE _____
PROJECT _____

PHOTOMETRICS

EP1S-RSX-SLD-2T528



CANDELA DISTRIBUTION

	0	45	90
0	1651	1651	1651
5	1652	1650	1641
15	1581	1593	1591
25	1458	1462	1453
35	1294	1305	1372
45	988	955	620
55	125	307	150
65	1	11	1
75	0	0	0
85	0	0	0
95			
105			
115			
125			
135			
145			
155			
165			
175			

LUMINAIRE

Description: Enspire Surface with (2) 28 watt T5 lamps, solid top and semi-specular louver

Catalog Number: EP1S-4-4-RSX-SLD-2T528-120

Efficiency: 58%

Distribution: 100% direct

LUMINANCE (Candela/sq meter)

ANGLE	0-DEG	45-DEG	90-DEG
45	15985	15452	10031
55	2493	6124	2992
65	27	298	27
75	0	0	0
85	0	0	0

ZONAL LUMEN SUMMARY

ZONE	LUMENS	% LAMP	% FIXT
0 - 30	1282.85	24.6	42.5
0 - 40	2108.18	40.4	69.8
0 - 60	3007.85	57.6	99.6
0 - 90	3019.6	57.8	100
90-120	0	0	0
90 - 130	0	0	0
90 - 150	0	0	0
90 - 180	0	0	0
0 - 180	3019.6	57.8	100

ZONAL LUMEN SUMMARY

ZONE	LUMENS
0-10	156.7
10-20	448.6
20-30	677.55
30-40	825.33
40-50	675.43
50-60	224.24
60-70	11.75
70-80	0
80-90	0
90-100	0
100-110	0
110-120	0
120-130	0
130-140	0
140-150	0
150-160	0
160-170	0
170-180	0

COEFFICIENTS OF UTILIZATION

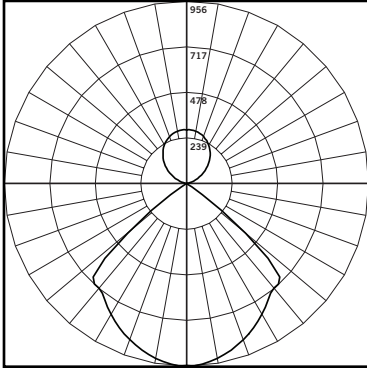
RC RW	80				70				50			30			10			0
	70	50	30	10	70	50	30	10	50	30	10	50	30	10	50	30	10	0
0	69	69	69	69	67	67	67	67	64	64	64	62	62	62	59	59	59	58
1	65	63	61	60	64	62	60	59	59	58	57	57	56	55	55	54	54	53
2	67	57	55	52	59	56	54	52	54	52	50	53	51	49	51	50	48	47
3	57	52	49	46	56	51	48	46	50	47	45	48	46	44	47	45	43	42
4	53	48	44	41	52	47	43	40	46	42	40	44	42	39	43	41	39	38
5	49	43	39	36	48	43	39	36	42	38	36	41	38	35	40	37	35	34
6	46	40	35	32	45	39	35	32	38	35	32	37	34	32	37	34	32	31
7	43	36	32	29	42	36	32	29	35	32	29	34	31	29	34	31	29	28
8	40	34	29	27	39	33	29	26	33	29	26	32	29	26	31	28	26	25
9	38	31	27	24	37	31	27	24	30	27	24	30	26	24	29	26	24	23
10	36	29	25	22	35	29	26	22	28	24	22	27	24	22	27	24	22	21

ENSPIRE SURFACE

TYPE _____
PROJECT _____

PHOTOMETRICS

EP1S-RSX-PRF-1T554



CANDELA DISTRIBUTION

	0	45	90
0	953	953	953
5	950	943	932
15	904	887	941
25	834	887	921
35	746	808	846
45	693	648	572
55	102	281	176
65	1	14	10
75	0	0	0
85	0	0	0
95	1	2	1
105	19	24	23
115	64	60	62
125	119	110	104
135	171	172	156
145	214	218	216
155	249	250	252
165	272	264	266
175	282	276	269

LUMINAIRE

Description: Enspire Surface with (1) 54 watt T5 high output lamp, perforated top and semi-specular louver

Catalog Number: EP1S-4-4-RSX-PRF-1T554-120

Efficiency: 60%

Distribution: 74% direct, 26% indirect
ANSI/ESNA RP-1-04 compliant at 55 degrees

LUMINANCE (Candela/sq meter)

ANGLE	0-DEG	45-DEG	90-DEG
45	11212	10484	9255
55	2035	5605	3511
65	27	379	271
75	0	0	0
85	0	0	0

ZONAL LUMEN SUMMARY

ZONE	LUMENS	% LAMP	% FIXT
0 - 30	749.31	17	28.6
0 - 40	1250.25	28.4	47.7
0 - 60	1925.69	43.8	73.5
0 - 90	1948.36	44.3	74.3
90-120	89.87	2	3.4
90 - 130	191.8	4.4	7.3
90 - 150	456.7	10.4	17.4
90 - 180	672.23	15.3	25.7
0 - 180	2620.59	59.6	100

ZONAL LUMEN SUMMARY

ZONE	LUMENS
0-10	89.15
10-20	256.93
20-30	403.24
30-40	500.93
40-50	479.03
50-60	196.42
60-70	22.61
70-80	.06
80-90	0
90-100	2.78
100-110	24.82
110-120	62.26
120-130	101.93
130-140	130.07
140-150	134.83
150-160	114.75
160-170	74.75
170-180	26.03

COEFFICIENTS OF UTILIZATION

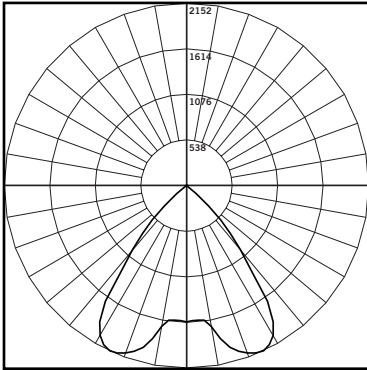
RC RW	80				70				50			30			10			0
	70	50	30	10	70	50	30	10	50	30	10	50	30	10	50	30	10	0
0	67	67	67	67	64	64	64	64	58	58	58	52	52	52	47	47	47	44
1	63	61	59	57	60	58	56	55	53	51	50	48	47	46	43	43	42	40
2	58	55	51	49	55	52	49	47	48	46	44	44	42	41	40	39	38	36
3	54	49	45	42	51	47	44	41	43	40	38	40	38	36	36	35	33	32
4	50	44	40	37	48	42	39	36	39	36	34	36	34	32	33	31	30	28
5	46	40	35	32	44	38	34	31	36	32	30	33	30	28	30	28	26	25
6	43	36	32	28	41	35	31	28	32	29	26	30	27	25	28	25	24	22
7	40	33	28	25	38	32	28	25	30	26	24	27	25	22	26	23	21	20
8	37	30	26	23	35	29	25	22	27	24	21	25	22	20	24	21	19	18
9	35	28	23	20	33	27	23	20	25	22	19	23	20	18	22	19	17	16
10	33	26	21	19	31	25	21	18	23	20	17	22	19	17	20	18	16	15

ENSPIRE SURFACE

TYPE _____
PROJECT _____

PHOTOMETRICS

EP1S-RSX-SLD-1T554



CANDELA DISTRIBUTION

	0	45	90
0	1610	1610	1610
5	1611	1606	1596
15	1543	1708	1976
25	1420	1964	2152
35	1250	1795	1671
45	950	1055	573
55	153	264	15
65	0	9	0
75	0	0	0
85	0	0	0
95			
105			
115			
125			
135			
145			
155			
165			
175			

LUMINAIRE

Description: Enspire Surface with (1) 54 watt T5 high output lamp, solid top and semi-specular louver

Catalog Number: EP1S-4-4-RSX-SLD-1T554-120

Efficiency: 78%

Distribution: 100% direct
ANSI/ESNA RP-1-04 compliant at 55 degrees

LUMINANCE (Candela/sq meter)

ANGLE	0-DEG	45-DEG	90-DEG
45	15665	17396	9448
55	3110	5367	305
65	0	248	0
75	0	0	0
85	0	0	0

ZONAL LUMEN SUMMARY

ZONE	LUMENS	% LAMP	% FIXT
0 - 30	1500.82	34.1	43.8
0 - 40	2511.9	57.1	73.2
0 - 60	3421.48	77.8	99.7
0 - 90	3430.24	78	100
90-120	0	0	0
90 - 130	0	0	0
90 - 150	0	0	0
90 - 180	0	0	0
0 - 180	3430.24	78	100

ZONAL LUMEN SUMMARY

ZONE	LUMENS
0-10	153.34
10-20	493.25
20-30	854.23
30-40	1011.08
40-50	715.84
50-60	193.74
60-70	8.75
70-80	0
80-90	0
90-100	0
100-110	0
110-120	0
120-130	0
130-140	0
140-150	0
150-160	0
160-170	0
170-180	0

COEFFICIENTS OF UTILIZATION

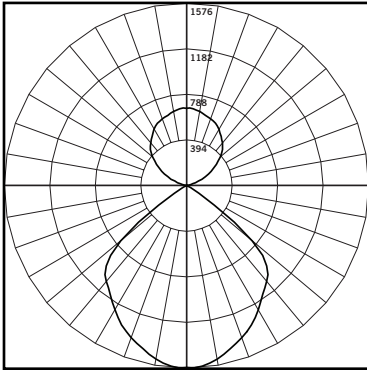
RC RW	80				70				50			30			10			0
	70	50	30	10	70	50	30	10	50	30	10	50	30	10	50	30	10	0
0	93	93	93	93	91	91	91	91	87	87	87	83	83	83	80	80	80	78
1	88	85	83	81	86	83	81	80	80	79	77	77	76	75	75	74	73	71
2	82	78	74	71	80	76	73	70	74	71	68	71	69	67	69	67	65	64
3	77	71	66	62	75	70	65	62	67	64	61	65	62	60	64	61	59	57
4	72	64	59	55	70	64	59	55	62	58	54	60	56	54	59	55	53	52
5	67	59	53	49	65	58	53	49	57	52	49	55	51	48	54	50	48	46
6	62	54	48	44	61	53	48	44	52	47	44	51	47	43	50	46	43	42
7	58	50	44	40	57	49	44	40	48	43	40	47	43	39	46	42	39	38
8	55	46	40	36	54	45	40	36	44	39	36	43	39	36	42	38	36	34
9	51	42	37	33	50	42	36	33	41	36	33	40	36	33	39	35	32	31
10	48	39	34	30	47	39	34	30	38	33	30	37	33	30	37	33	30	28

ENSPIRE SURFACE

TYPE _____
PROJECT _____

PHOTOMETRICS

EP1S-RSX-PRF-2T554



CANDELA DISTRIBUTION

	0	45	90
0	1573	1573	1573
5	1567	1549	1527
15	1485	1443	1413
25	1369	1283	1313
35	1212	1157	1217
45	1094	941	865
55	141	412	260
65	3	21	16
75	0	1	0
85	0	0	0
95	2	5	5
105	56	62	66
115	171	193	187
125	302	343	364
135	421	468	490
145	521	548	579
155	597	610	630
165	647	641	638
175	671	660	648

LUMINAIRE

Description: Endspire Surface with (2) 54 watt T5 high output lamps, perforated top and semi-specular louver

Catalog Number: EP1S-4-4-RSX-PRF-2T554-120

Efficiency: 53%

Distribution: 62% direct, 38% indirect

LUMINANCE (Candela/sq meter)

ANGLE	0-DEG	45-DEG	90-DEG
45	17700	15225	13995
55	2812	8218	5186
65	81	568	433
75	0	44	0
85	0	0	0

ZONAL LUMEN SUMMARY

ZONE	LUMENS	% LAMP	% FIXT
0 - 30	1158.36	13.2	24.6
0 - 40	1895.08	21.5	40.3
0 - 60	2887.3	32.8	61.4
0 - 90	2914.48	33.1	62
90-120	261.55	3	5.6
90 - 130	562.63	6.4	12
90 - 150	1260.74	14.3	26.8
90 - 180	1785.32	20.3	38
0 - 180	4699.8	53.4	100

ZONAL LUMEN SUMMARY

ZONE	LUMENS
0-10	146.54
10-20	406.94
20-30	604.87
30-40	736.72
40-50	705.36
50-60	286.86
60-70	26.58
70-80	.59
80-90	0
90-100	8
100-110	68.33
110-120	185.22
120-130	301.09
130-140	355.36
140-150	342.74
150-160	281.48
160-170	180.57
170-180	62.53

COEFFICIENTS OF UTILIZATION

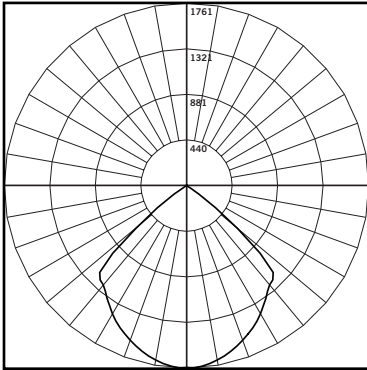
RC RW	80				70				50			30			10			0
	70	50	30	10	70	50	30	10	50	30	10	50	30	10	50	30	10	0
0	59	59	59	59	55	55	55	55	48	48	48	42	42	42	36	36	36	33
1	55	53	51	49	51	50	48	47	44	43	42	38	38	37	33	33	32	30
2	51	47	44	42	47	45	42	40	40	38	36	35	34	32	31	30	29	27
3	47	42	39	36	44	40	37	35	36	33	31	32	30	28	28	27	26	24
4	43	38	34	31	41	36	33	30	32	30	28	29	27	25	26	24	23	21
5	40	34	30	28	38	33	29	26	29	27	24	26	24	22	23	22	20	19
6	37	31	27	24	35	30	26	23	27	24	22	24	22	20	21	20	18	17
7	34	28	24	22	32	27	23	21	24	21	19	22	20	18	20	18	16	15
8	32	26	22	19	30	25	21	19	22	19	17	20	18	16	18	16	15	14
9	30	24	20	17	28	23	19	17	21	18	16	19	16	15	17	15	14	12
10	28	22	18	16	26	21	18	15	19	16	14	17	15	13	16	14	12	11

ENSPIRE SURFACE

TYPE _____
PROJECT _____

PHOTOMETRICS

EP1S-RSX-SLD-2T554



CANDELA DISTRIBUTION

	0	45	90
0	1756	1756	1756
5	1750	1690	1653
15	1656	1533	1482
25	1517	1324	1340
35	1335	1175	1226
45	1185	950	876
55	148	421	269
65	2	21	16
75	0	1	0
85	0	0	0
95			
105			
115			
125			
135			
145			
155			
165			
175			

LUMINAIRE

Description: Ensipre 1 Surface with (2) 54 watt T5 high output lamps, solid top and semi-specular louver

Catalog Number: EP1S-4-4-RSX-SLD-2T554-120

Efficiency: 34%

Distribution: 100% direct

LUMINANCE (Candela/sq meter)

ANGLE	0-DEG	45-DEG	90-DEG
45	19173	15371	14173
55	3952	8397	5366
65	54	568	433
75	0	44	0
85	0	0	0

ZONAL LUMEN SUMMARY

ZONE	LUMENS	% LAMP	% FIXT
0 - 30	1227.86	14	40.6
0 - 40	1987	22.6	65.6
0 - 60	2998.94	34.1	99.1
0 - 90	3027.43	34.4	100
90-120	0	0	0
90 - 130	0	0	0
90 - 150	0	0	0
90 - 180	0	0	0
0 - 180	3027.43	34.4	100

ZONAL LUMEN SUMMARY

ZONE	LUMENS
0-10	159.9
10-20	434.86
20-30	633.1
30-40	759.14
40-50	720.71
50-60	291.23
60-70	27.65
70-80	.81
80-90	.03
90-100	0
100-110	0
110-120	0
120-130	0
130-140	0
140-150	0
150-160	0
160-170	0
170-180	0

COEFFICIENTS OF UTILIZATION

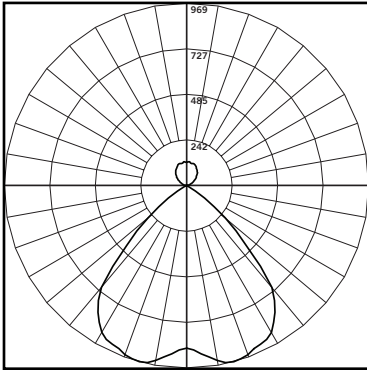
RC RW	80				70				50			30			10			0
	70	50	30	10	70	50	30	10	50	30	10	50	30	10	50	30	10	0
0	41	41	41	41	40	40	40	40	38	38	38	37	37	37	35	35	35	34
1	39	37	36	35	38	37	36	35	35	34	34	34	33	33	33	32	32	31
2	36	34	32	31	35	33	32	30	32	31	30	31	30	29	30	29	28	28
3	34	31	29	27	33	30	28	27	29	28	26	28	27	26	28	26	25	25
4	31	28	26	24	31	28	25	24	27	25	23	26	24	23	25	24	23	22
5	29	25	23	21	28	25	23	21	24	22	21	24	22	21	23	22	20	20
6	27	23	21	19	26	23	20	19	22	20	19	22	20	18	21	20	18	18
7	25	21	19	17	25	21	19	17	21	18	17	20	18	17	20	18	17	16
8	24	20	17	15	23	19	17	15	19	17	15	19	17	15	18	16	15	14
9	22	18	16	14	22	18	16	14	18	15	14	17	15	14	17	15	14	13
10	21	17	14	13	20	17	14	13	16	14	13	16	14	13	16	14	13	12

ENSPIRE SURFACE

TYPE _____
PROJECT _____

PHOTOMETRICS

EP1S-RSX-PRF-1T832



CANDELA DISTRIBUTION

	0	45	90
0	864	864	864
5	863	887	898
15	827	937	969
25	762	910	931
35	666	816	821
45	528	573	449
55	74	196	118
65	1	8	1
75	0	0	0
85	0	0	0
95	1	2	1
105	9	11	13
115	29	29	31
125	52	55	55
135	75	78	78
145	95	99	98
155	110	115	115
165	120	119	122
175	125	126	126

LUMINAIRE

Description: Enspire Surface with (1) 32 watt T8 lamp, perforated top and semi-specular louver

Catalog Number: EP1S-4-4-RSX-PRF-1T832-120

Efficiency: 72%

Distribution: 85% direct, 15% indirect
ANSI/ESNA RP-1-04 compliant at 55 degrees

LUMINANCE (Candela/sq meter)

ANGLE	0-DEG	45-DEG	90-DEG
45	8543	9271	7265
55	1476	3909	2354
65	27	217	27
75	0	0	0
85	0	0	0

ZONAL LUMEN SUMMARY

ZONE	LUMENS	% LAMP	% FIXT
0 - 30	751.42	25.5	35.2
0 - 40	1242.77	42.1	58.2
0 - 60	1808.55	61.3	84.7
0 - 90	1817.73	61.6	85.2
90-120	45.9	1.6	2.2
90 - 130	95.66	3.2	4.5
90 - 150	217.92	7.4	10.2
90 - 180	316.8	10.7	14.8
0 - 180	2134.54	72.4	100

ZONAL LUMEN SUMMARY

ZONE	LUMENS
0-10	84.88
10-20	259.26
20-30	407.27
30-40	491.35
40-50	415.14
50-60	150.65
60-70	9.18
70-80	0
80-90	0
90-100	2.28
100-110	12.78
110-120	30.84
120-130	49.76
130-140	60.85
140-150	61.41
150-160	52.52
160-170	34.38
170-180	11.98

COEFFICIENTS OF UTILIZATION

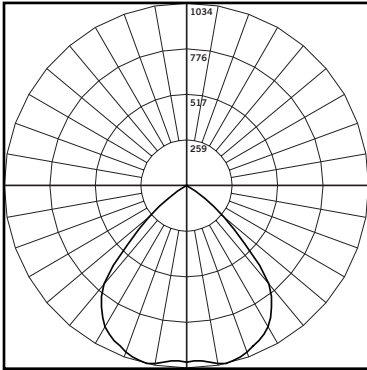
RC RW	80				70				50			30			10			0
	70	50	30	10	70	50	30	10	50	30	10	50	30	10	50	30	10	0
0	84	84	84	84	80	80	80	80	74	74	74	69	69	69	64	64	64	62
1	78	76	74	72	76	73	71	70	68	67	66	64	63	62	60	59	58	56
2	73	69	65	62	70	67	63	60	62	60	58	59	56	55	55	53	52	50
3	68	62	58	54	65	60	56	53	57	53	51	54	51	49	50	48	46	45
4	63	56	51	47	61	55	50	47	52	48	45	49	46	43	46	44	42	40
5	59	51	46	42	57	50	45	41	47	43	40	45	41	39	42	40	37	36
6	55	47	41	37	53	45	40	37	43	39	36	41	37	35	39	36	34	32
7	51	43	37	34	49	42	37	33	40	35	32	38	34	31	36	33	30	29
8	48	39	34	30	46	38	33	30	36	32	29	35	31	28	33	30	27	26
9	45	36	31	27	43	35	30	27	34	29	26	32	28	26	31	27	25	24
10	42	33	28	25	40	33	28	25	31	27	24	30	26	23	29	25	23	22

ENSPIRE SURFACE

TYPE _____
PROJECT _____

PHOTOMETRICS

EP1S-RSX-SLD-1T832



CANDELA DISTRIBUTION

	0	45	90
0	1001	1001	1001
5	1001	1001	999
15	959	1013	1028
25	879	958	971
35	767	847	842
45	594	589	471
55	78	203	127
65	1	8	1
75	0	0	0
85	0	0	0
95			
105			
115			
125			
135			
145			
155			
165			
175			

LUMINAIRE

Description: Enspire Surface with (1) 32 watt T8 lamp, solid top and semi-specular louver

Catalog Number: EP1S-4-4-RSX-SLD-1T832-120

Efficiency: 65%

Distribution: 100% direct
ANSI/ESNA RP-1-04 compliant at 55 degrees

LUMINANCE (Candela/sq meter)

ANGLE	0-DEG	45-DEG	90-DEG
45	9611	9530	7621
55	1556	4049	2533
65	27	217	27
75	0	0	0
85	0	0	0

ZONAL LUMEN SUMMARY

ZONE	LUMENS	% LAMP	% FIXT
0 - 30	812.33	27.5	42.1
0 - 40	1328.77	45	68.8
0 - 60	1920.1	56.1	99.5
0 - 90	1930.29	65.4	100
90-120	0	0	0
90 - 130	0	0	0
90 - 150	0	0	0
90 - 180	0	0	0
0 - 180	1930.29	65.4	100

ZONAL LUMEN SUMMARY

ZONE	LUMENS
0-10	95.56
10-20	282.33
20-30	434.45
30-40	516.43
40-50	434.37
50-60	156.97
60-70	10.02
70-80	.16
80-90	0
90-100	0
100-110	0
110-120	0
120-130	0
130-140	0
140-150	0
150-160	0
160-170	0
170-180	0

COEFFICIENTS OF UTILIZATION

RC RW	80				70				50			30			10			0
	70	50	30	10	70	50	30	10	50	30	10	50	30	10	50	30	10	0
0	78	78	78	78	76	76	76	76	73	73	73	70	70	70	67	67	67	65
1	73	71	69	68	72	70	68	67	67	66	64	65	64	63	62	62	61	59
2	69	65	62	59	67	64	61	58	61	59	57	59	57	56	58	56	54	53
3	64	59	55	52	63	58	54	51	56	53	50	54	52	50	53	51	49	48
4	60	54	49	46	58	53	49	45	51	48	45	50	47	44	49	46	44	43
5	56	49	44	41	54	48	44	40	47	43	40	46	42	40	45	42	39	38
6	52	45	40	36	51	44	40	36	43	39	36	42	38	36	41	38	35	34
7	48	41	36	33	47	41	36	33	40	35	32	38	35	32	38	35	32	31
8	45	38	33	30	44	37	33	30	37	32	29	36	32	29	35	32	29	28
9	43	35	30	27	42	35	30	27	34	30	27	33	29	27	33	29	27	26
10	40	32	28	25	39	32	28	25	31	27	25	31	27	24	30	27	24	23