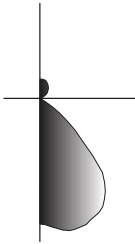
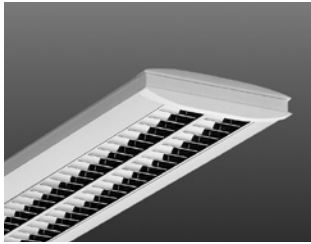


ENFORM 2 SURFACE



Photometric Drawing for
(2) 32W T8 Lamps

TYPE _____ PROJECT _____



CATALOG NUMBER

FIXTURE	OVERALL ROW LENGTH	MAX SECTION LENGTH	SHIELDING	TOP COVER	VOLTAGE	OPTIONS*
EF2S Enform 2 Surface- mount	# # must be specified in 4' increments	4 4' max. section length	RPX Specular louver	PRF Perforated Top Cover	120 120 v	DIM Electronic Dimming EM Emergency Battery Pack EMC Emergency Circuit FUS Fusing IDS Integral Daylight Sensor SC Separate Switching
		8 8' max. section length	RSX Semi-specular louver	SLD Solid Top Cover	277 277 v	
		12 12' max. section length			347 347 v	

* DETAILS – OPTIONS

DIM Dimming ballast with 5 wire 0-10VDC control scheme

EM Emergency Battery Pack (4' section only)

EMC Emergency Circuit (4' section only)

FUS GLR fuse for each ballast

IDS Integral Daylight Sensor for 0-10VDC dimming (Dimming ballast included)

SC Separate Switching (2 lamp only)

SPECIFICATIONS

Construction. Fixture body constructed of steel. Endcaps constructed of die-cast aluminum. Fixtures join with internal fasteners.

Finish. Fixture finished in white polyester powdercoat, RAL 9016.

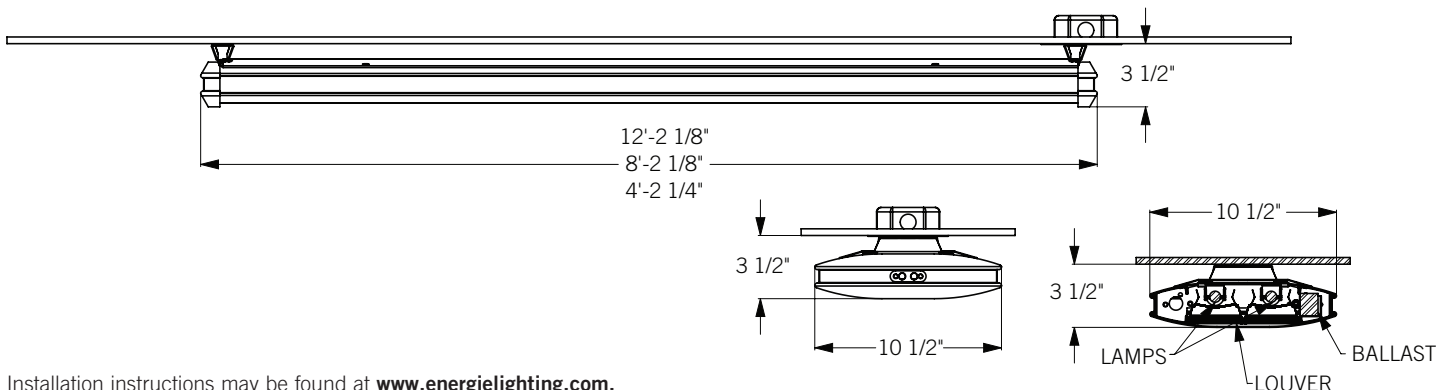
Shielding. Lamps are shielded by Trilux patented louver technology with MIRO-SILVER®, available in specular (>95% surface reflectance) and semi-specular versions (>94% surface reflectance). Louver is optically continuous across fixture length and joints.

Electrical. Specify 120, 277 or 347 volts. Fixture is UL/CUL Listed for damp locations.

Lamping. (2) 32w T8 lamps. Lamps not included.

Mounting. Fixture surface-mounts to hard or grid ceilings.

DIMENSIONS & DETAILS



Installation instructions may be found at www.energielighting.com.



Energie LLC, 4885 Ward Road, Ste. 300, Wheat Ridge, CO 80033 Tel 720.963.8055 Fax 720.963.8044 www.energielighting.com
In an effort to continually improve our products, we reserve the right to change or modify designs and/or materials without prior notice.
All rights reserved. These products may be covered by one or more U.S. or international patents or patents pending. 01/11



ENFORM 2 SURFACE

TYPE _____
PROJECT _____

REQUIRED HARDWARE

EFM2-END	ENDCAP – Enform 2 Endcaps 1 pair per fixture run.
EN-SUP-SUR	SUPPORT KIT – Enform 2 Surface Support Kit 1 support kit for each fixture in a run.
EN-FDK-SUR	FEED KIT – Enform 2 Surface Feed Kit At least 1 feed kit per fixture run. (see installation instructions)

OPTIONAL HARDWARE

EN-FDK-SUR-5W	FIVE WIRE FEED KIT – Enform 2 Surface dimming feed kit for -DIM optioned fixtures (for 5 wire standard dimming ballast) Replaces all EN-FDK-SUR.
EN-FDK-SUR-4W	FOUR WIRE FEED KIT – Enform 2 Surface four wire feed kit for -SC, -EM or 4 wire dimming optioned fixtures Replaces all EN-FDK-SUR.
EN-FDK-SUR-EMC	EMERGENCY CIRCUIT FEED KIT – Enform 2 Surface emergency feed kit for -EMC optioned fixtures Replaces (1) EN-SUP-SUR per emergency fixture.
ENF-CNR	CORNER CONNECTOR – Enform 2 corner connector (does not include mounting hardware)



EXAMPLES – COMPLETE ORDERS

If a customer orders (1) **EF2S-48-8-RPX-PRF-120**, the Energie breakdown is:

- (6) **EF2S-8-8-RPX-PRF-120** – Six 8' fixture modules
- (1) **EFM2-END** – One pair of Enform 2 endcaps
- (6) **EN-SUP-SUR** – Six surface support kits
- (1) **EN-FDK-SUR** – One surface feed kit

If a customer orders (1) **EF2S-36-12-RPX-PRF-120-DIM**, the Energie breakdown is:

- (3) **EF2S-12-12-RPX-PRF-120-DIM** – Three 12' fixture modules with dimming
- (1) **EFM2-END** – One pair of Enform 2 endcaps
- (3) **EN-SUP-SUR** – Three surface support kits
- (1) **EN-FDK-SUR-5W** – One surface dimming feed kit

If a customer orders (1) **EF2S-36-12-RPX-PRF-120-IDS**, the Energie breakdown is:

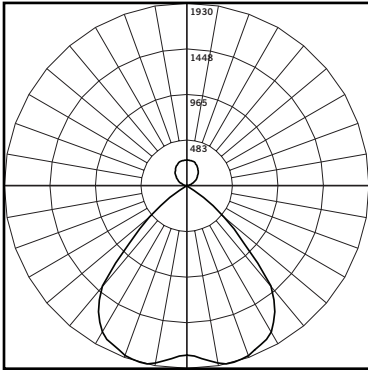
- (1) **EF2S-12-12-RPX-PRF-120-IDS** – One 12' fixture module with integral daylight sensor and dimming
- (2) **EF2S-12-12-RPX-PRF-1T554-120-DIM** – Two 12' fixture modules with dimming
- (1) **EFM2-END** – One pair of Enform 2 endcaps
- (3) **EN-SUP-SUR** – Three surface support kits
- (1) **EN-FDK-SUR** – One surface feed kit

ENFORM 2 SURFACE

TYPE _____
PROJECT _____

PHOTOMETRICS

EF2S-RSX-PRF _____



CANDELA DISTRIBUTION

	0	45	90
0	1793	1793	1793
5	1791	1817	1835
15	1716	1882	1930
25	1579	1882	1930
35	1380	1620	1626
45	1083	1122	857
55	155	383	219
65	2	16	3
75	0	0	0
85	0	0	0
95	1	3	3
105	20	23	27
115	63	67	73
125	113	118	124
135	161	164	168
145	203	209	206
155	237	244	242
165	261	263	266
175	271	271	269

LUMINAIRE

Description: Enform 2 Surface with (2) 32 watt T8 lamps, perforated top and semi-specular louver

Catalog Number: EF2S-4-4-RSX-PRF-120

Efficiency: 73%

Distribution: 84% direct, 16% indirect

LUMINANCE (Candela/sq meter)

ANGLE	0-DEG	45-DEG	90-DEG
45	8300	8599	6568
55	1465	3619	2069
65	26	205	38
75	0	0	0
85	0	0	0

ZONAL LUMEN SUMMARY

ZONE	LUMENS	% LAMP	% FIXT
0 - 30	1514.45	25.7	35.2
0 - 40	2492.72	42.2	57.9
0 - 60	3605.31	61.1	83.7
0 - 90	3623.99	61.4	84.2
90-120	101.34	1.7	2.4
90 - 130	209.13	3.5	4.9
90 - 150	469.55	8	10.9
90 - 180	681.79	11.6	15.8
0 - 180	4305.78	73	100

ZONAL LUMEN SUMMARY

ZONE	LUMENS
0-10	174.13
10-20	523.45
20-30	816.87
30-40	978.27
40-50	818.57
50-60	294.02
60-70	18.57
70-80	.11
80-90	0
90-100	4.15
100-110	27.66
110-120	69.53
120-130	107.79
130-140	129.52
140-150	130.9
150-160	111.93
160-170	74.53
170-180	25.78

COEFFICIENTS OF UTILIZATION

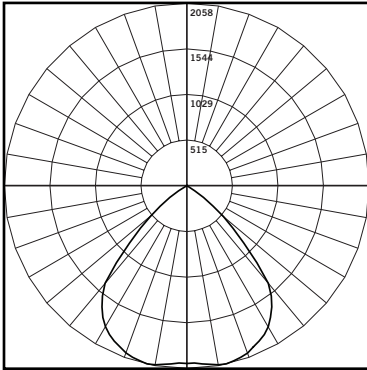
RC RW	80				70				50			30			10			0
	70	50	30	10	70	50	30	10	50	30	10	50	30	10	50	30	10	0
0	84	84	84	84	81	81	81	81	75	75	75	69	69	69	64	64	64	61
1	79	76	74	72	76	74	72	70	69	67	66	64	63	62	60	59	58	56
2	74	69	65	62	71	67	64	61	63	60	58	59	57	55	55	53	52	50
3	68	63	58	54	66	61	57	53	57	54	51	54	51	49	50	48	46	45
4	64	57	52	48	61	55	50	47	52	48	45	49	46	43	46	44	42	40
5	59	52	46	42	57	50	45	42	47	43	40	45	41	39	42	40	37	36
6	55	47	42	38	53	46	41	37	43	39	36	41	38	35	39	36	34	32
7	51	43	38	34	49	42	37	33	40	35	32	38	34	31	36	33	30	29
8	48	39	34	30	46	38	33	30	37	32	29	35	31	28	33	30	28	26
9	45	36	31	28	43	35	31	27	34	30	27	32	29	26	31	28	25	24
10	42	34	29	25	41	33	28	25	31	27	24	30	26	24	29	25	23	22

ENFORM 2 SURFACE

TYPE _____
PROJECT _____

PHOTOMETRICS

EF2S-RSX-SLD



CANDELA DISTRIBUTION

	0	45	90
0	2006	2006	2006
5	2003	2011	2015
15	1916	2018	2043
25	1763	1901	1931
35	1532	1679	1671
45	1181	1167	910
55	151	394	233
65	2	15	3
75	0	0	0
85	0	0	0
95			
105			
115			
125			
135			
145			
155			
165			
175			

LUMINAIRE

Description: Enform 2 Surface with (2) 32 watt T8 lamps, solid top and semi-specular louver

Catalog Number: EF2S-4-4-RSX-SLD-120

Efficiency: 65%

Distribution: 100% direct

LUMINANCE (Candela/sq meter)

ANGLE	0-DEG	45-DEG	90-DEG
45	9051	8944	6974
55	1427	3723	2201
65	26	192	38
75	0	0	0
85	0	0	0

ZONAL LUMEN SUMMARY

ZONE	LUMENS	% LAMP	% FIXT
0 - 30	1622.51	27.5	42.3
0 - 40	2647.66	44.9	69.1
0 - 60	3814.96	64.7	99.5
0 - 90	3833.94	65	100
90-120	0	0	0
90 - 130	0	0	0
90 - 150	0	0	0
90 - 180	0	0	0
0 - 180	3833.94	65	100

ZONAL LUMEN SUMMARY

ZONE	LUMENS
0-10	192.06
10-20	564.28
20-30	866.17
30-40	1025.15
40-50	858.66
50-60	308.64
60-70	18.93
70-80	.05
80-90	0
90-100	0
100-110	0
110-120	0
120-130	0
130-140	0
140-150	0
150-160	0
160-170	0
170-180	0

COEFFICIENTS OF UTILIZATION

RC RW	80				70				50			30			10			0
	70	50	30	10	70	50	30	10	50	30	10	50	30	10	50	30	10	0
0	77	77	77	77	76	76	76	76	72	72	72	69	69	69	66	66	66	65
1	73	71	69	67	71	69	68	66	67	65	64	64	63	62	62	61	60	59
2	68	64	61	59	67	63	60	58	61	59	57	59	57	55	57	56	54	53
3	64	59	55	51	62	58	54	51	56	53	50	54	52	49	53	50	49	47
4	59	53	49	45	58	52	48	45	51	47	45	50	47	44	48	46	43	42
5	55	49	44	40	54	48	44	40	47	43	40	45	42	39	44	41	39	38
6	52	44	40	36	51	44	39	36	43	39	36	42	38	36	41	38	35	34
7	48	41	36	33	47	40	36	33	39	35	32	39	35	32	38	34	32	31
8	45	38	33	30	44	37	33	29	36	32	29	36	32	29	35	32	29	28
9	42	35	30	27	41	34	30	27	34	30	27	33	29	27	32	29	26	25
10	40	32	28	25	39	32	27	25	31	27	24	31	27	24	30	27	24	23