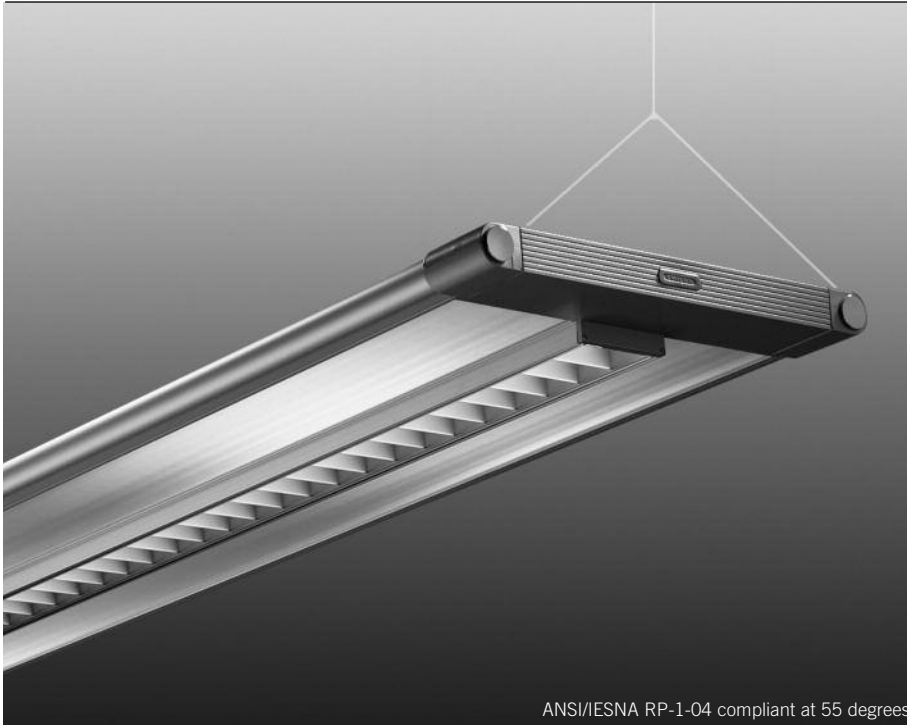


DIVISIO



LINEAR



ANSI/IESNA RP-1-04 compliant at 55 degrees

Catalog Number

FIXTURE

DIV - Divisio

VOLTAGE

120 - 120 Volt
277 - 277 Volt

OPTIONS

BLU - Blue colored tinting strips
GRN - Green colored tinting strips
RED - Red colored tinting strips
YEL - Yellow colored tinting strips

EXAMPLE: DIV-120-GRN

Specifications

CONSTRUCTION

Main body of fixture constructed of extruded AlMgZn alloy. End caps constructed of high pressure injection molded polycarbonate.

SHIELDING

Alanod material louver. Specular louver meets RP-1-04 standards for office lighting. Louver is covered by slotted steel diffuser (see reverse for detail). Side diffusion panels constructed of hollow wall polycarbonate extrusions for even light distribution and low luminance lev-

els. Color shields in green, yellow, red, or blue may be specified to change the color of the acrylic diffusers.

FINISH

Extruded body finished with steel grey roughened finish.

ELECTRICAL

Specify 120 volt or 277 volt. Fixture and all electrical components are U.L./C.U.L damp location listed. Supplied with internal electronic ballast.

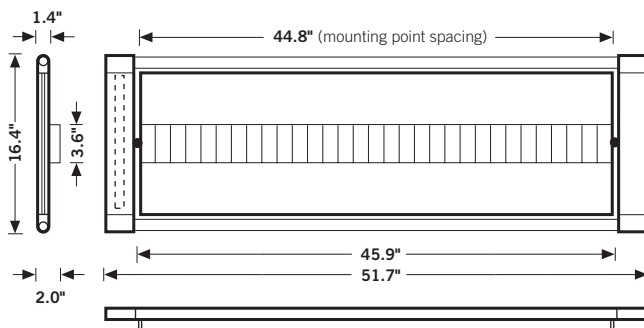
LAMPING

Fixture uses (2) 54W high-output T5 lamps. Lamps not included.

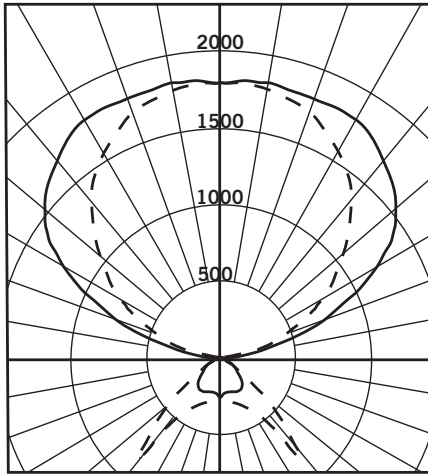
MOUNTING

For continuous row-mount, consult factory. Fully adjustable aircraft cable supplied as standard with maximum suspension of 72". See reverse for detail.

Dimensions



Photometrics



CANDELA DISTRIBUTION

	0	45	90
0	254	254	254
5	248	254	260
15	233	253	286
25	248	298	324
35	258	470	432
45	235	618	678
55	172	318	156
65	124	86	55
75	71	50	29
85	19	16	11
95	62	87	87
105	251	514	327
115	1004	948	626
125	1220	1237	931
135	1635	1454	1224
145	1774	1602	1469
155	1825	1703	1655
165	1821	1789	1764
175	1833	1816	1811
180	1811	1811	1811

LUMINAIRE

Description: Divisio with 2 high-output T5 lamps

Catalog Number: DIV-120

Efficiency: 83.9%

Distribution: 83% indirect / 17% direct
ANSI/IESNA RP-1-04 compliant at 55 degrees

ZONAL LUMEN SUMMARY

ZONE	LUMENS	% LAMP	% FIXT
0 - 30	235.0	2.6	3.1
0 - 40	511.2	5.7	6.8
0 - 60	1136.3	12.8	15.2
60 - 90	163.5	1.8	2.2
0 - 90	1299.8	14.6	17.4
90 - 180	6167.7	69.3	82.6
0 - 180	7467.5	83.9	100

LUMINANCE (Candela / sq meter)

ANGLE	0-DEG	45-DEG	90-DEG
45	891	2344	2571
55	802	1485	727
65	786	546	346
75	738	522	296
85	589	482	353

COEFFICIENTS OF UTILIZATION

PCC PW RCR	80				70				50			10			0
	70	50	30	10	70	50	30	10	50	30	10	50	30	10	10
0	.83	.83	.83	.83	.73	.73	.73	.73	.55	.55	.55	.22	.22	.22	.15
1	.76	.73	.69	.67	.67	.64	.61	.59	.48	.46	.45	.19	.19	.19	.12
2	.69	.63	.59	.54	.61	.56	.52	.49	.42	.39	.37	.17	.16	.16	.10
3	.63	.56	.50	.45	.55	.49	.44	.40	.37	.34	.31	.15	.14	.13	.09
4	.57	.49	.43	.38	.50	.43	.38	.34	.33	.29	.26	.13	.12	.11	.07
5	.53	.43	.37	.32	.46	.38	.33	.29	.29	.25	.22	.12	.11	.10	.06
6	.48	.39	.32	.27	.42	.34	.29	.25	.26	.22	.19	.11	.09	.08	.05
7	.44	.34	.28	.24	.39	.31	.25	.21	.23	.19	.17	.10	.08	.07	.05
8	.41	.31	.25	.21	.36	.28	.22	.19	.21	.17	.14	.09	.07	.06	.04
9	.38	.28	.22	.18	.33	.25	.20	.16	.19	.15	.13	.08	.07	.06	.04

Details



SUSPENSION MECHANISM

Suspension mechanism is three-point anchor system, consisting of two at the fixture end, and one above the fixture as shown. Fixture mounts to ceiling at two points, one on each end of the fixture. Power cord is light gray.



LOUVER SHIELDING

Louver is shielded by slotted metal strip to prevent overhead glare. Light is dispersed through the slots in the shielding and reflected off the louver for maximum comfort and glare control.



TRI-FUNCTIONAL PHOTOMETRICS

All light distributed by Divisio's advanced direct/indirect optical system is further managed via highly tooled acrylic diffusers with lateral refraction elements, resulting in exceptional comfort control.

Installation instructions may be found at www.energielighting.com.