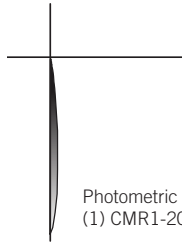


COMET ROUND 1



Photometric Drawing for
(1) CMR1-20D-WHW-120

TYPE _____ PROJECT _____



CATALOG NUMBER

FITTURE		DISTRIBUTION		COLOR		VOLTAGE	
CMR1	Comet Round 1	20D	20 degree lens	WHW	Warm White LED (3000K)	120	120 v

SPECIFICATIONS

Construction. Fixture body and LED housing are constructed of extruded aluminum.

Shielding. Integral 20 degree spread lens for maximum efficiency and optimization of the LED chips. In addition a painted black baffle is included to minimize high angle glare.

Finish. Fixture is finished in proprietary thermopainted matte silver, RAL 9006.

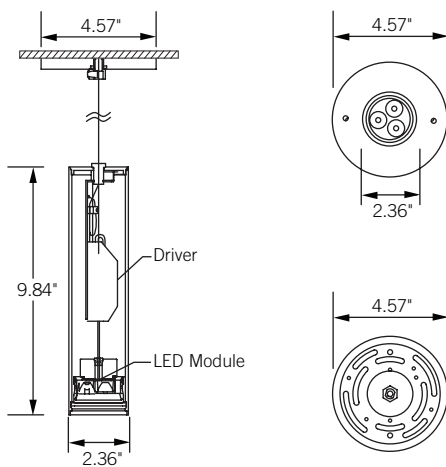
Electrical. Fixture is available in 120 volts. Fixture is UL/CUL Listed. Supplied with an integral 3.6W LED driver.

Lamping. (3) 1.2W Osram Oslon LED chips.

Mounting. Fixture is mounted to provided canopy with fully adjustable clear power cord. Canopy is then wired and mounted to an octagonal junction box. Maximum cord length is 72". See installation instructions for additional detail.

Warranty. 5 years. LED rated life is 50,000 hours to 70% of lumen output.

DIMENSIONS & DETAILS



Installation instructions may be found at www.energielighting.com.

Tons:™

Energie LLC, 4885 Ward Road, Ste. 300, Wheat Ridge, CO 80033 Tel 720.963.8055 Fax 720.963.8044 www.energielighting.com
In an effort to continually improve our products, we reserve the right to change or modify designs and/or materials without prior notice.
All rights reserved. These products may be covered by one or more U.S. or international patents or patents pending. 05/13

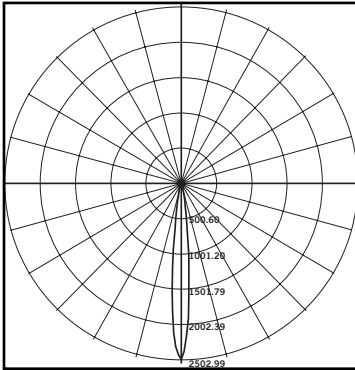
énergie®

COMET ROUND 1

TYPE _____
PROJECT _____

PHOTOMETRICS

CMR1-20D-WHW-120



LUMINAIRE

Description: Comet Round 1
Catalog Number: CMR1-20D-WHW-120
Initial Lumens: 241
Fixture Lumens: 175
Efficiency: 73%
Distribution: 100% direct, 0% indirect
CRI: > 80

CANDELA DISTRIBUTION

	0	30	60	90	120	150	180
0	2449.4	2449.4	2449.4	2449.4	2449.4	2449.4	2449.4
5	1636.8	1496.8	1373.5	1257.9	1087.0	1097.7	1184.7
15	119.1	109.7	111.7	118.0	118.2	126.4	135.8
25	34.5	32.9	33.4	36.3	35.4	38.3	42.1
35	10.9	11.1	11.6	12.2	12.0	13.6	15.1
45	4.9	4.9	4.7	4.5	4.5	4.9	4.7
55	2.7	1.8	1.6	1.6	2.0	1.3	1.3
65	0.4	0.4	0.7	0.4	0.4	0.4	0.4
75	0.2	0.2	0.2	0.2	0.4	0.2	0.2
85	0.2	0.2	0.2	0.2	0.2	0.4	0.2
90	0.2	0.2	0.2	0.2	0.2	0.2	0.2

LUMINANCE (Candela/sq meter)

ANGLE	0-DEG	90-DEG
45	3498	3848
55	1509	2587
65	585	585
75	478	478

COEFFICIENTS OF UTILIZATION

RC RW	80			70			50			30			10			0
	50	30	10	50	30	10	50	30	10	50	30	10	50	30	10	0
0	87	87	87	85	85	85	81	81	81	77	77	77	74	74	74	73
1	86	85	85	84	84	83	81	80	80	77	76	76	71	71	70	66
2	83	83	82	82	81	81	79	78	77	75	74	73	70	69	68	64
3	81	80	80	79	79	78	76	75	75	73	72	71	69	67	66	63
4	79	78	78	77	77	76	74	73	72	71	70	69	67	66	64	61
5	77	76	76	76	75	74	73	71	71	70	68	67	66	64	63	60
6	75	75	74	74	73	73	71	70	69	68	66	65	65	63	61	59
7	74	73	73	72	72	71	70	68	68	67	65	64	64	62	60	57
8	72	72	71	71	70	70	68	67	66	66	64	63	63	60	59	56
9	71	71	70	70	69	68	67	66	65	64	63	61	62	59	58	55
10	70	69	69	69	68	67	66	65	64	63	62	60	61	58	57	54