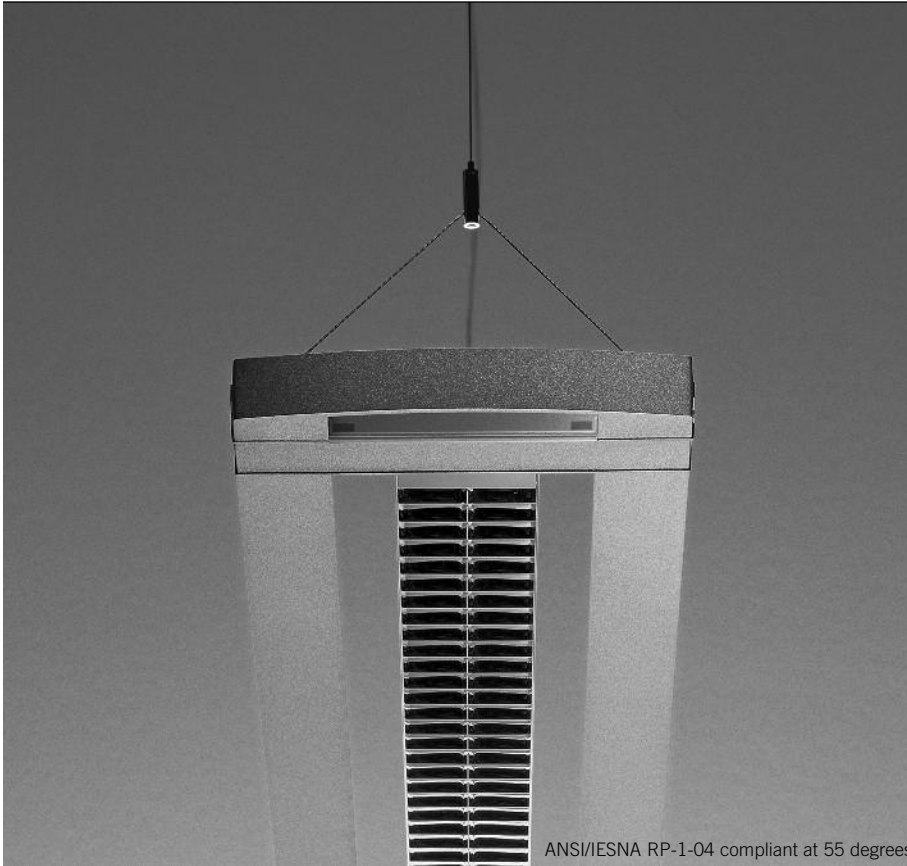


# BLUEMOTION UXP 2



ANSI/IESNA RP-1-04 compliant at 55 degrees  
concept of system + design  
hartmut s. engel designstudio

## Catalog Number

- **FIXTURE**  
BLM-UXP – BLUemotion UXP luminaire
- **OVERALL ROW LENGTH**  
# – # must be specified in 4' increments
- **MAXIMUM SECTION LENGTH**  
4 – 4' maximum section length  
8 – 8' maximum section length
- **SHIELDING**  
H – Highly specular luminaire  
S – Semi-specular luminaire
- **LAMPING** (in cross section)  
2T528 – (2) 28W T5  
2T554 – (2) 54W T5 high output
- **VOLTAGE**  
120 – 120 Volt  
277 – 277 Volt
- **OPTIONS**  
DIM – Electronic dimming  
EM – Emergency battery pack  
FUS – Fusing  
SC – Separate switching  
EMC – Emergency circuit (4' section only)
- EXAMPLE:** BLM-UXP-24-8-S-2T528-120

## Specifications

### CONSTRUCTION

Fixture body constructed of extruded aluminum. Endcaps constructed of die-cast aluminum. Fixtures connect with snap-together joiner and aluminum drawblock (see reverse for detail).

### FINISH

Fixture finished in silver polyester powdercoat, RAL 9006.

### SHIELDING

Lamps are shielded by Trilux patented, low profile UXP (ultra-high cross sectional performance) louver, available in specular or semi-specular versions.

### ELECTRICAL

Specify 120 or 277 volt. Fixture and all electrical components are U.L./C.U.L. damp location listed. Supplied with internal electronic ballast. Dimming, emergency battery pack, fusing and separate switching may be specified.

### LAMPING

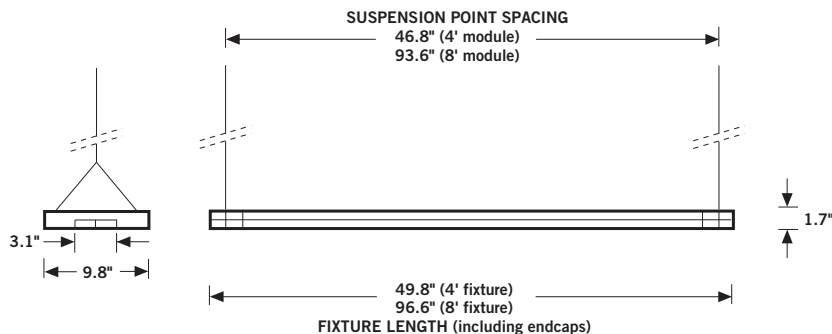
Choice of 28 watt T5 or 54 watt T5 high output fluorescent lamps. Lamps not included.

### MOUNTING

Fixture may be individually mounted or joined together to form linear runs. Fixtures are supplied with 72" fully adjustable aircraft cable.

**NOTE:** For single fixtures, overall length must equal maximum section length.

## Dimensions

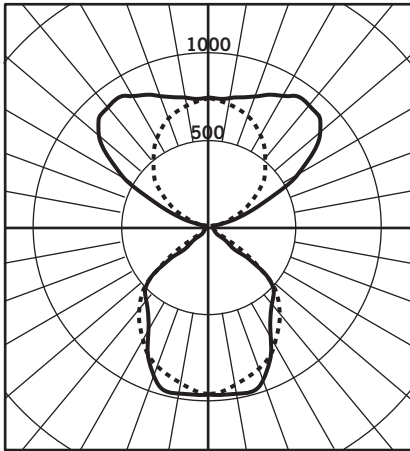


When forming linear runs, suspension points are located at the end of each run and at the joint between each fixture module.

# BLUEMOTION UXP 2



## Photometrics



### CANDELA DISTRIBUTION

	0	45	90
0	954	954	954
5	958	953	949
15	983	957	904
25	851	880	825
35	615	706	711
45	518	457	550
55	129	198	161
65	9	15	9
75	9	5	6
85	16	11	3
95	27	27	37
105	164	215	137
115	456	499	249
125	749	682	364
135	904	751	472
145	914	725	566
155	824	724	642
165	759	718	695
175	730	726	722
180	726	726	726

### LUMINAIRE

**Description:** BLUEmotion UXP-H louver with (2) 54 watt T5 high output lamps

**Catalog Number:** BLM-UXP-4-4-H-2T554-120

**Efficiency:** 79.5%

**Distribution:** 62% indirect, 38% direct  
ANSI/IESNA RP-1-04 compliant at 55 degrees

### ZONAL LUMEN SUMMARY

ZONE	LUMENS	% LAMP	% FIXT
0 - 30	752.7	13.0	16.3
0 - 40	1187.0	20.5	25.7
0 - 60	1724.8	29.7	37.4
60 - 90	36.9	0.6	0.8
0 - 90	1761.7	30.4	38.2
90 - 180	2852.0	49.2	61.8
0 - 180	4613.8	79.5	100

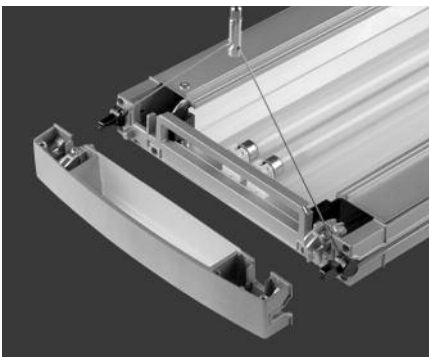
### LUMINANCE (Candela / sq meter)

ANGLE	0-DEG	45-DEG	90-DEG
45	4116	3634	4370
55	1266	1945	1581
65	116	194	122
75	205	115	120
85	1014	685	198

### COEFFICIENTS OF UTILIZATION

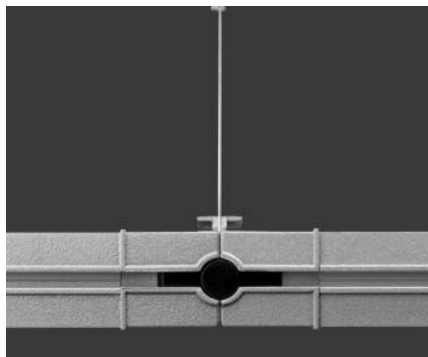
PCC PW RCR	80				70				50			10			0
	70	50	30	10	70	50	30	10	50	30	10	50	30	10	10
0	.83	.83	.83	.83	.75	.75	.75	.75	.61	.61	.61	.35	.36	.36	.30
1	.77	.74	.71	.68	.70	.67	.65	.63	.55	.53	.52	.33	.33	.32	.27
2	.70	.65	.61	.57	.64	.60	.56	.53	.49	.47	.44	.30	.29	.29	.24
3	.65	.58	.53	.49	.59	.53	.49	.45	.44	.41	.38	.28	.26	.25	.22
4	.60	.52	.46	.42	.54	.48	.43	.39	.40	.36	.33	.25	.24	.23	.20
5	.55	.47	.41	.37	.50	.43	.38	.34	.36	.32	.29	.23	.22	.20	.17
6	.51	.42	.36	.32	.46	.39	.34	.30	.33	.29	.26	.21	.20	.18	.16
7	.47	.38	.32	.28	.43	.35	.30	.27	.30	.26	.23	.20	.18	.16	.14
8	.44	.35	.29	.25	.40	.32	.27	.24	.27	.23	.21	.18	.16	.15	.13
9	.41	.32	.26	.23	.37	.29	.25	.21	.25	.21	.19	.17	.15	.13	.12

## Details



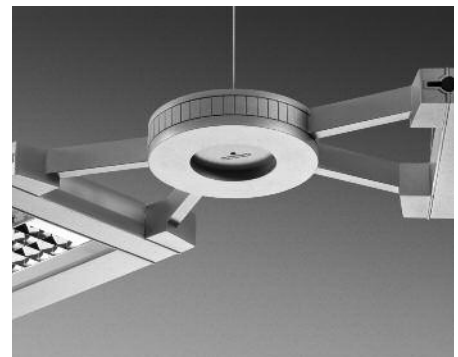
### ENDCAP

BLUEmotion fixtures feature a snap-on cast aluminum endcap, with an acrylic panel to provide a soft glow within the end of the fixture.



### JOINER DETAIL

BLUEmotion luminaires join together with a custom plug-screw connector, enabling hairline seams and easy connection.



### CORNER CONNECTOR

Configurations may include turns of virtually any angle with this silver-grey diecast aluminum ceiling node. Angles adjust in 7.5° increments from 90°-270°. BLM-CNR ordered separately.

Installation instructions may be found at [www.energielighting.com](http://www.energielighting.com).

Energie LLC, 15000 W. 6th Avenue, Ste. 202A, Golden, CO 80401 Tel 720 963 8055 Fax 720 963 8044 [www.energielighting.com](http://www.energielighting.com)

In an effort to continually improve our products, we reserve the right to change or modify designs and/or materials without prior notice.

All rights reserved. These products may be covered by one or more U.S. or international patents or patents pending. 02/09

