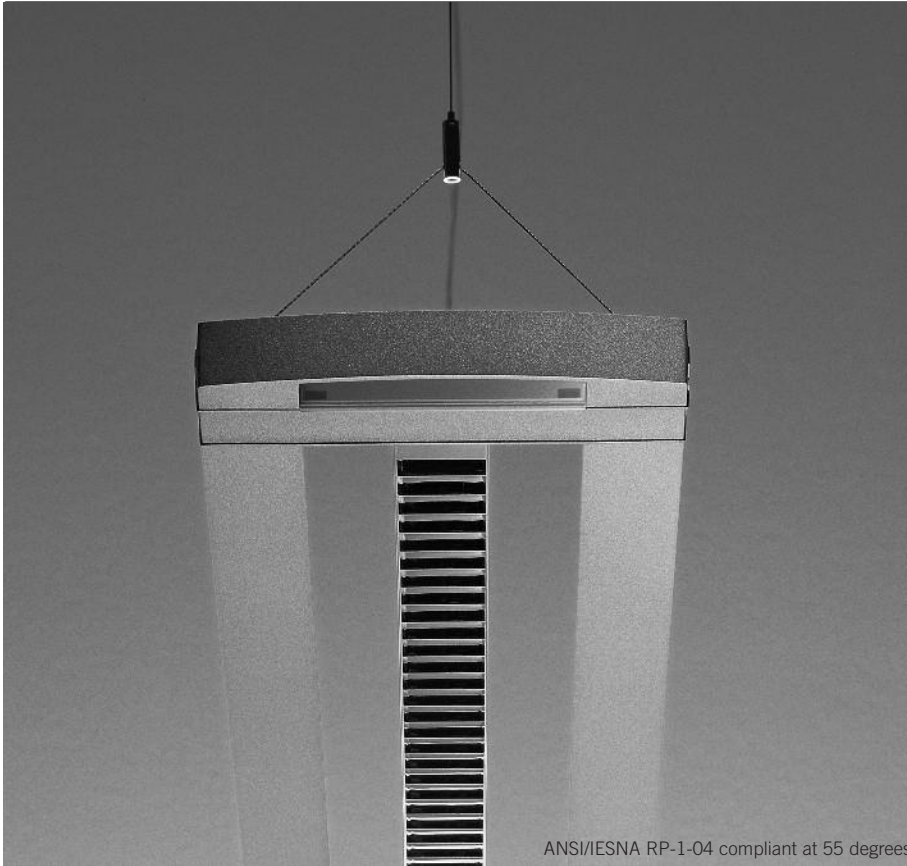


BLUEMOTION UXP 1



ANSI/IESNA RP-1-04 compliant at 55 degrees
concept of system + design
hartmut s. engel designstudio

Catalog Number

- **FIXTURE**
BLM-UXP – BLUemotion UXP louver
 - **OVERALL ROW LENGTH**
– # must be specified in 4' increments
 - **MAXIMUM SECTION LENGTH**
4 – 4' maximum section length
8 – 8' maximum section length
 - **SHIELDING**
H – Highly specular louver
S – Semi-specular louver
 - **LAMPING** (in cross section)
1T528 – (1) 28W T5
1T554 – (1) 54W T5 high output
 - **VOLTAGE**
120 – 120 Volt
277 – 277 Volt
 - **OPTIONS**
DIM – Electronic dimming
EM – Emergency battery pack
FUS – Fusing
EMC - Emergency circuit (4' section only)
- EXAMPLE:** BLM-UXP-24-8-S-1T528-120

Specifications

CONSTRUCTION

Fixture body constructed of extruded aluminum. Endcaps constructed of die-cast aluminum. Fixtures connect with snap-together joiner and aluminium draw block (see reverse for detail).

FINISH

Fixture finished in silver polyester powdercoat, RAL 9006.

SHIELDING

Lamps are shielded by Trilux patented, low profile UXP (ultra-high cross sectional performance) louver, available in specular or semi-specular versions.

ELECTRICAL

Specify 120 or 277 volt. Fixture and all electrical components are U.L./C.U.L. damp location listed. Supplied with internal electronic ballast. Dimming, emergency battery pack and fusing may be specified.

LAMPING

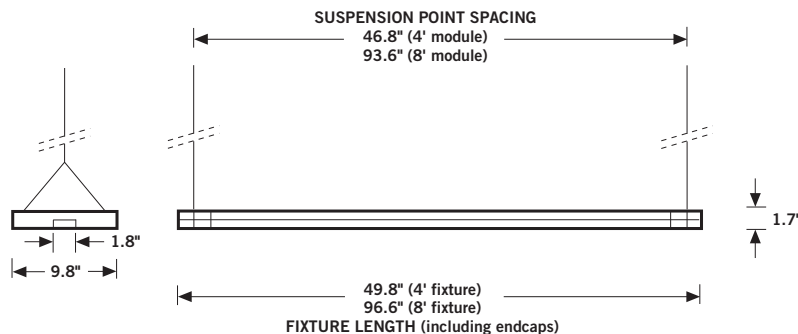
Choice of 28 watt T5 or 54 watt T5 high output fluorescent lamp. Lamp not included.

MOUNTING

Fixture may be individually mounted or joined together to form linear runs. Fixtures are supplied with 72" fully adjustable aircraft cable.

NOTE: For single fixtures, overall length must equal maximum section length.

Dimensions

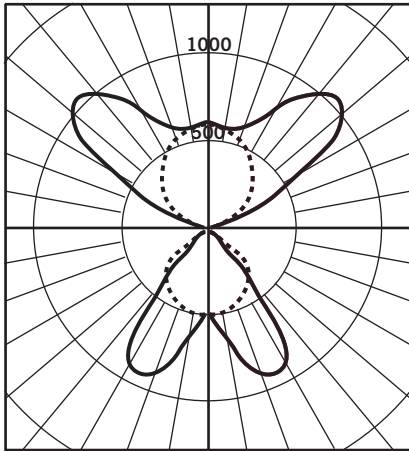


When forming linear runs, suspension points are located at the end of each run and at the joint between each fixture module.

BLUEMOTION UXP 1



Photometrics



CANDELA DISTRIBUTION

	0	45	90
0	495	495	495
5	550	520	490
15	812	699	478
25	926	806	447
35	782	783	402
45	257	464	330
55	26	112	128
65	9	13	9
75	7	6	7
85	4	5	5
95	11	10	32
105	61	149	112
115	416	577	203
125	885	800	296
135	1053	764	382
145	931	634	459
155	677	521	520
165	595	501	563
175	588	586	584
180	587	587	587

LUMINAIRE

Description: BLUemotion UXP-H louver with (1) 54 watt T5 high output lamp

Catalog Number: BLM-UXP-4-4-H-1T554-120

Efficiency: 82.7%

Distribution: 65% indirect, 35% direct
ANSI/IESNA RP-1-04 compliant at 55 degrees

ZONAL LUMEN SUMMARY

ZONE	LUMENS	% LAMP	% FIXT
0 - 30	591.8	11.8	14.3
0 - 40	1016.2	20.3	24.6
0 - 60	1429.7	28.6	34.6
60 - 90	27.2	0.5	0.7
0 - 90	1456.9	29.1	35.2
90 - 180	2680.3	53.6	64.8
0 - 180	4137.2	82.7	100

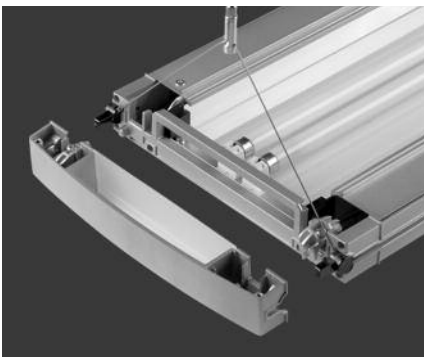
LUMINANCE (Candela / sq meter)

ANGLE	0-DEG	45-DEG	90-DEG
45	3467	6261	4450
55	438	1853	2129
65	212	282	204
75	243	228	249
85	481	520	531

COEFFICIENTS OF UTILIZATION

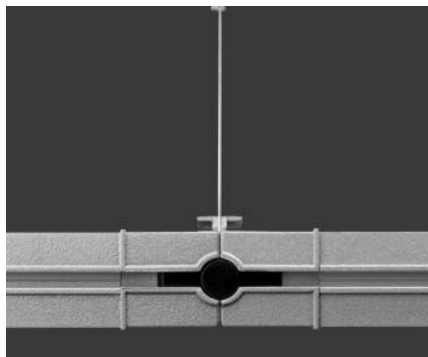
PCC PW RCR	80				70				50			10			0
	70	50	30	10	70	50	30	10	50	30	10	50	30	10	10
0	.86	.86	.86	.86	.78	.78	.78	.78	.62	.62	.62	.35	.35	.35	.29
1	.79	.76	.73	.71	.71	.69	.67	.64	.56	.54	.53	.32	.32	.31	.26
2	.73	.67	.63	.59	.66	.61	.57	.54	.50	.47	.45	.30	.29	.28	.23
3	.67	.60	.54	.50	.60	.55	.50	.46	.45	.41	.39	.27	.26	.25	.21
4	.61	.53	.48	.43	.56	.49	.44	.40	.40	.37	.34	.25	.23	.22	.19
5	.57	.48	.42	.37	.51	.44	.39	.35	.36	.32	.30	.23	.21	.20	.17
6	.52	.43	.37	.33	.47	.40	.34	.30	.33	.29	.26	.21	.19	.17	.15
7	.48	.39	.33	.29	.44	.36	.31	.27	.30	.26	.23	.19	.17	.16	.13
8	.45	.35	.29	.25	.41	.33	.27	.24	.27	.23	.20	.17	.16	.14	.12
9	.42	.32	.27	.23	.38	.30	.25	.21	.25	.21	.18	.16	.14	.13	.11

Details



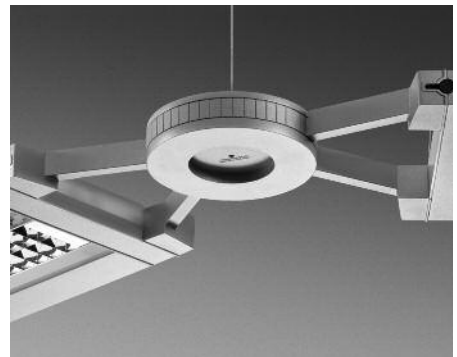
ENDCAP

BLUemotion fixtures feature a snap-on cast aluminum endcap, with an acrylic panel to provide a soft glow within the end of the fixture.



JOINER DETAIL

BLUemotion luminaires join together with a custom plug-screw connector, enabling hairline seams and easy connection.



CORNER CONNECTOR

Configurations may include turns of virtually any angle with this silver-grey diecast aluminum ceiling node. Angles adjust in 7.5° increments from 90°-270°. BLM-CNR ordered separately.

Installation instructions may be found at www.energielighting.com.