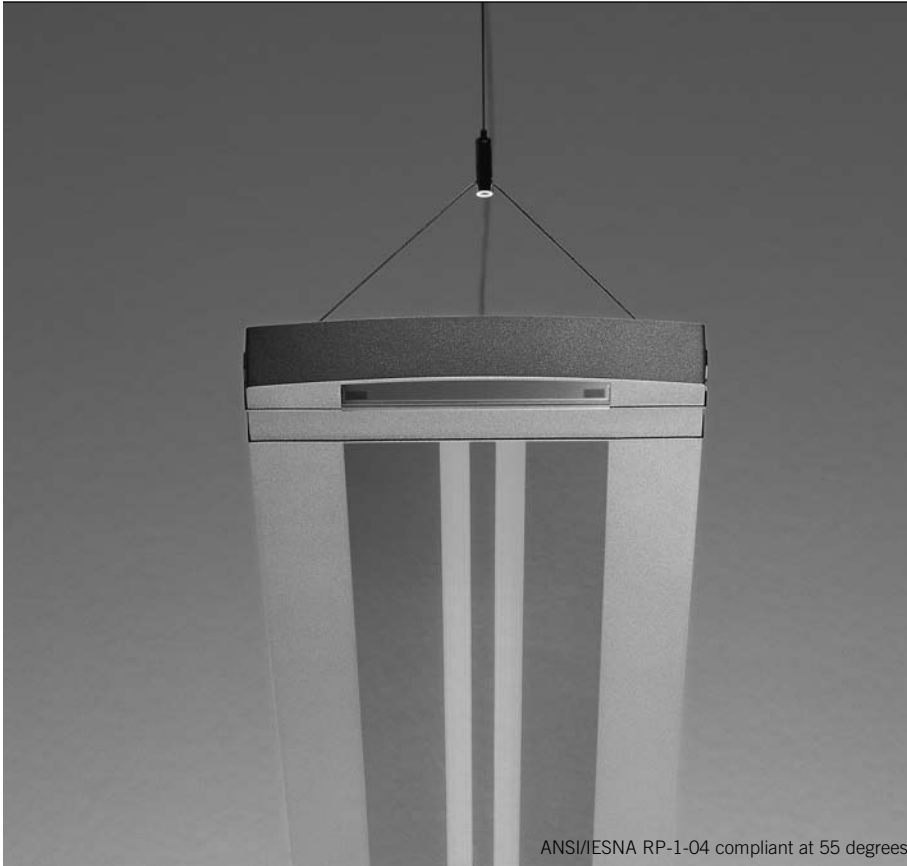


BLUEMOTION SUNNY DAY



ANSI/IESNA RP-1-04 compliant at 55 degrees
concept of system + design
hartmut s. engel designstudio

Catalog Number

- **FIXTURE**
BLM-SD – BLUemotion Sunny Day
- **OVERALL ROW LENGTH**
– # must be specified in 4' increments
- **MAXIMUM SECTION LENGTH**
4 – 4' maximum section length
8 – 8' maximum section length
- **LAMPING** (in cross section)
1T528 – (1) 28W T5
2T528 – (2) 28W T5
1T554 – (1) 54W T5 high output
2T554 – (2) 54W T5 high output
- **VOLTAGE**
120 – 120 Volt
277 – 277 Volt
- **OPTIONS**
DIM – Electronic dimming
EM – Emergency battery pack
FUS – Fusing
SC – Separate switching (2 lamp only)
EMC – Emergency circuit (4' section only)

EXAMPLE: BLM-SD-24-8-2T554-120

Specifications

CONSTRUCTION

Fixture body constructed of extruded aluminum. Endcaps constructed of die-cast aluminum. Fixtures connect with snap-together joiner and aluminum drawblock (see reverse for detail).

FINISH

Fixture finished in silver polyester powdercoat, RAL 9006.

SHIELDING

Lamps are shielded by Trilux patented, Sunny Day glass. Glass has reflective material on upper-side, allowing for only a 5% light transmission downward.

ELECTRICAL

Specify 120 or 277 volt. Fixture and all electrical components are U.L./C.U.L. damp location listed. Supplied with internal electronic ballast. Dimming, emergency battery pack, fusing and separate switching may be specified.

LAMPING

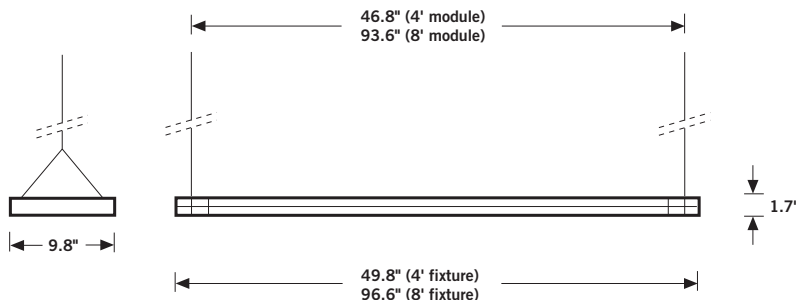
Choice of (1) or (2) 28 watt T5 or 54 watt T5 high output fluorescent lamps. Lamp(s) not included.

MOUNTING

Fixture may be individually mounted or joined together to form linear runs. Fixtures are supplied with 72" fully adjustable aircraft cable.

NOTE: For single fixtures, overall length must equal maximum section length.

Dimensions

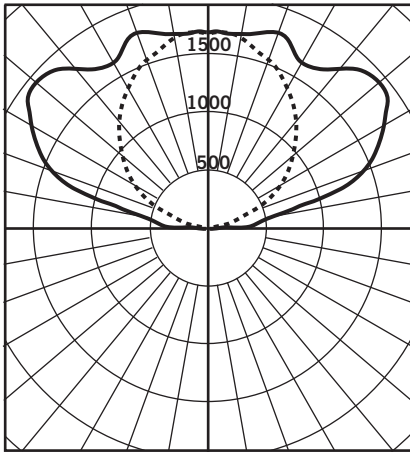


When forming linear runs, suspension points are located at the end of each run and at the joint between each fixture module.

BLUEMOTION SUNNY DAY



Photometrics



CANDELA DISTRIBUTION

	0	45	90
0	35	35	35
5	34	35	34
15	35	34	33
25	39	36	31
35	40	36	28
45	38	34	26
55	38	32	24
65	34	29	20
75	25	22	15
85	15	14	12
95	422	356	120
105	881	950	320
115	1667	1317	585
125	1909	1481	845
135	1937	1402	1101
145	1677	1513	1311
155	1734	1702	1484
165	1750	1771	1621
175	1701	1693	1668
180	1692	1692	1692

LUMINAIRE

Description: BLUemotion Sunny Day with (2) 54 watt T5 high output lamps

Catalog Number: BLM-SD-4-4-2T554-120

Efficiency: 72.5%

Distribution: 98% indirect, 2% direct
ANSI/IESNA RP-1-04 compliant at 55 degrees

ZONAL LUMEN SUMMARY

ZONE	LUMENS	% LAMP	% FIXT
0 - 30	29.2	0.3	0.4
0 - 40	50.9	0.5	0.7
0 - 60	104.9	1.0	1.4
60 - 90	65.5	0.7	0.9
0 - 90	170.1	1.7	2.4
90 - 180	7075.4	70.8	97.7
0 - 180	7245.8	72.5	100

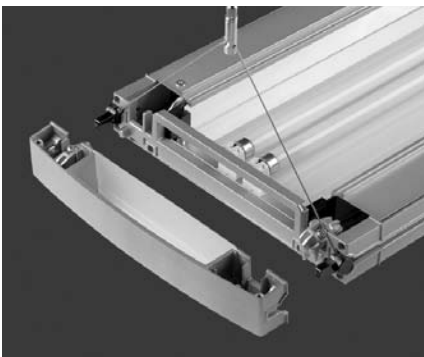
LUMINANCE (Candela / sq meter)

ANGLE	0-DEG	45-DEG	90-DEG
45	327	293	219
55	403	341	251
65	487	412	296
75	589	503	351
85	1041	972	701

COEFFICIENTS OF UTILIZATION

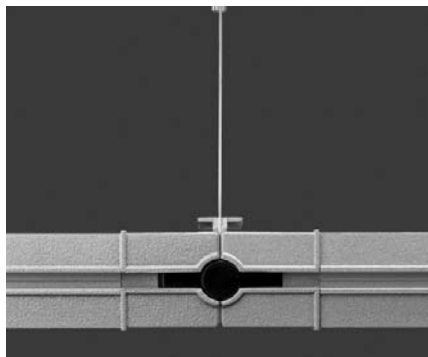
PCC PW RCR	80				70				50			10			0
	70	50	30	10	70	50	30	10	50	30	10	50	30	10	10
0	.69	.69	.69	.69	.60	.60	.60	.60	.41	.41	.41	.09	.09	.09	.02
1	.63	.60	.57	.55	.54	.52	.50	.48	.36	.34	.33	.08	.08	.07	.01
2	.57	.52	.48	.45	.49	.45	.42	.39	.31	.29	.27	.07	.06	.06	.01
3	.52	.46	.41	.37	.45	.39	.35	.32	.27	.25	.23	.06	.05	.05	.01
4	.48	.40	.35	.31	.41	.35	.30	.27	.24	.21	.19	.05	.05	.04	.01
5	.43	.36	.30	.26	.37	.31	.26	.23	.21	.19	.16	.05	.04	.04	.01
6	.40	.32	.26	.23	.34	.27	.23	.20	.19	.16	.14	.04	.04	.03	.00
7	.37	.29	.23	.19	.31	.25	.20	.17	.17	.14	.12	.04	.03	.03	.00
8	.34	.26	.20	.17	.29	.22	.18	.15	.16	.13	.11	.03	.03	.02	.00
9	.31	.23	.18	.15	.27	.20	.16	.13	.14	.11	.09	.03	.03	.02	.00

Details



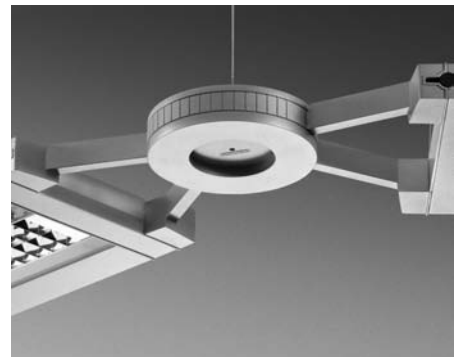
ENDCAP

BLUemotion fixtures feature a snap-on cast aluminum endcap, with an acrylic inlay to provide a soft glow within the end of the fixture.



JOINER DETAIL

BLUemotion luminaires join together with a custom plug-screw connector, enabling hairline seams and easy connection.



CORNER CONNECTOR

Configurations may include turns of virtually any angle with this silver-grey diecast aluminum ceiling node. Angles adjust in 7.5° increments from 90°-270°. BLM-CNR ordered separately.

Installation instructions may be found at www.energieighting.com.