

# BLUEMOTION CDP



ANSI/IESNA RP-1-04 compliant at 55 degrees  
concept of system + design  
hartmut s. engel designstudio

## Catalog Number

- FIXTURE**  
BLM-CDP – BLUemotion CDP shield
- OVERALL ROW LENGTH**  
# – # must be specified in 4' increments
- MAXIMUM SECTION LENGTH**  
4 – 4' maximum section length  
8 – 8' maximum section length
- LAMPING** (in cross section)  
1T528 – (1) 28W T5  
2T528 – (2) 28W T5  
1T554 – (1) 54W T5 high output  
2T554 – (2) 54W T5 high output
- VOLTAGE**  
120 – 120 Volt  
277 – 277 Volt
- OPTIONS**  
DIM – Electronic dimming  
EM – Emergency battery pack  
FUS – Fusing  
SC – Separate switching (2 lamp only)  
EMC – Emergency circuit (4' section only)  
DC – Dust Cover

**EXAMPLE:** BLM-CDP-24-8-2T554-120

## Specifications

### CONSTRUCTION

Fixture body constructed of extruded aluminum. Endcaps constructed of die-cast aluminum. Fixtures connect with snap-together joiner and aluminum drawblock (see reverse for detail).

### FINISH

Fixture finished in silver polyester powdercoat, RAL 9006.

### SHIELDING

Lamps are shielded by Trilux patented, low-glare CDP prismatic shielding (see reverse for detail). Optional dust-cover may be specified.

### ELECTRICAL

Specify 120 or 277 volt. Fixture and all electrical components are U.L./C.U.L. damp location listed. Supplied with internal electronic ballast. Dimming, emergency battery pack, fusing and separate switching may be specified.

### LAMPING

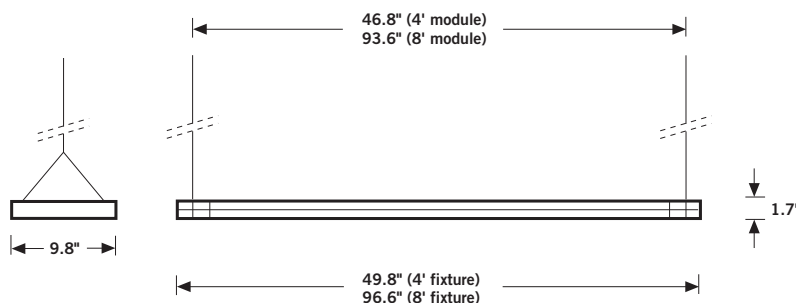
Choice of (1) or (2) 28 watt T5 or 54 watt T5 high output fluorescent lamps. Lamp(s) not included.

### MOUNTING

Fixture may be individually mounted or joined together to form linear runs. Fixtures are supplied with 72" fully adjustable aircraft cable.

**NOTE:** For single fixtures, overall length must equal maximum section length.

## Dimensions

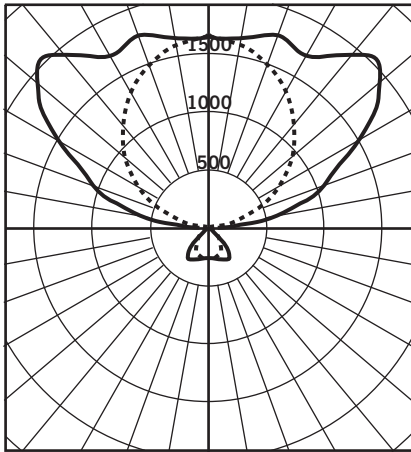


When forming linear runs, suspension points are located at the end of each run and at the joint between each fixture module.

# BLUEMOTION CDP



## Photometrics



### CANDELA DISTRIBUTION

	0	45	90
0	289	289	289
5	282	281	280
15	283	276	269
25	306	277	241
35	309	283	214
45	468	153	139
55	81	78	75
65	46	44	44
75	29	29	28
85	15	16	13
95	237	238	84
105	882	723	307
115	1209	1210	560
125	1787	1566	817
135	2068	1485	1060
145	1796	1524	1272
155	1733	1651	1443
165	1701	1695	1562
175	1641	1632	1623
180	1630	1630	1630

### LUMINAIRE

**Description:** BLUemotion CDP shield with (2) 54 watt T5 high output lamps

**Catalog Number:** BLM-CDP-4-4-2T554-120

**Efficiency:** 74.0%

**Distribution:** 90% indirect, 10% direct  
ANSI/IESNA RP-1-04 compliant at 55 degrees

### ZONAL LUMEN SUMMARY

ZONE	LUMENS	% LAMP	% FIXT
0 - 30	232.0	2.3	3.1
0 - 40	395.9	4.0	5.4
0 - 60	590.0	5.9	8.0
60 - 90	92.6	0.9	1.3
0 - 90	682.6	6.8	9.2
90 - 180	6718.6	67.2	90.8
0 - 180	7401.2	74.0	100

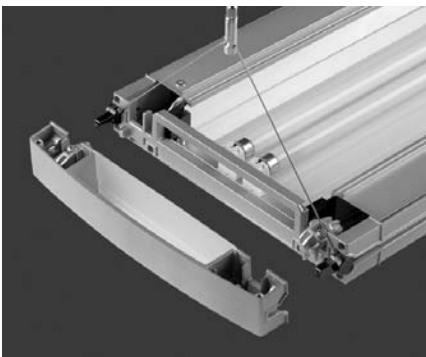
### LUMINANCE (Candela / sq meter)

ANGLE	0-DEG	45-DEG	90-DEG
45	1424	1293	1171
55	844	808	784
65	649	620	617
75	661	661	649
85	1057	1063	871

### COEFFICIENTS OF UTILIZATION

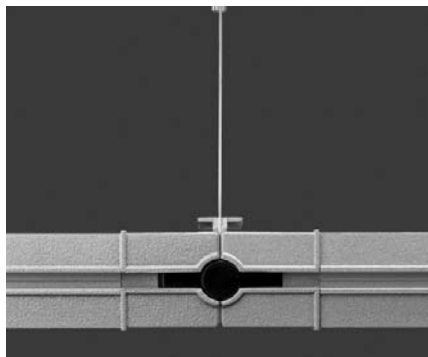
PCC PW RCR	80				70				50			10			0
	70	50	30	10	70	50	30	10	50	30	10	50	30	10	10
0	.72	.72	.72	.72	.62	.62	.62	.62	.45	.45	.45	.14	.14	.14	.07
1	.65	.62	.60	.57	.57	.54	.52	.50	.39	.38	.37	.12	.12	.12	.06
2	.60	.55	.50	.47	.52	.48	.44	.41	.34	.32	.30	.11	.10	.10	.05
3	.54	.48	.43	.39	.47	.42	.38	.34	.30	.28	.25	.10	.09	.08	.04
4	.50	.42	.37	.33	.43	.37	.33	.29	.27	.24	.22	.09	.08	.07	.04
5	.45	.38	.32	.28	.39	.33	.28	.25	.24	.21	.19	.08	.07	.06	.03
6	.42	.34	.28	.24	.36	.29	.25	.21	.21	.18	.16	.07	.06	.06	.03
7	.38	.30	.25	.21	.33	.26	.22	.19	.19	.16	.14	.06	.06	.05	.03
8	.36	.27	.22	.18	.31	.24	.19	.16	.17	.14	.12	.06	.05	.04	.02
9	.33	.25	.20	.16	.29	.22	.17	.14	.16	.13	.11	.05	.05	.04	.02

## Details



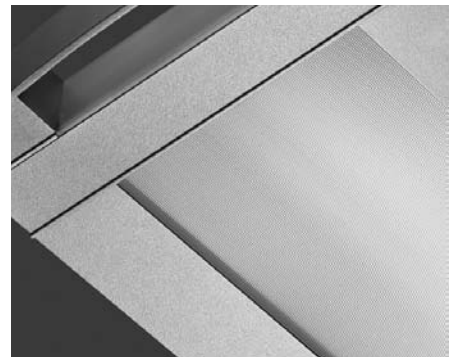
### ENDCAP

BLUemotion fixtures feature a snap-on cast aluminum endcap, with an acrylic inlay to provide a soft glow within the end of the fixture.



### JOINER DETAIL

BLUemotion luminaires join together with a custom plug-screw connector, enabling hairline seams and easy connection.



### CDP DIFFUSER

The CDP diffuser features a fine-prism structure for precise glare control and light distribution.

### CORNER CONNECTOR

See UXP specification page for CNR detail.

Installation instructions may be found at [www.energieighting.com](http://www.energieighting.com).