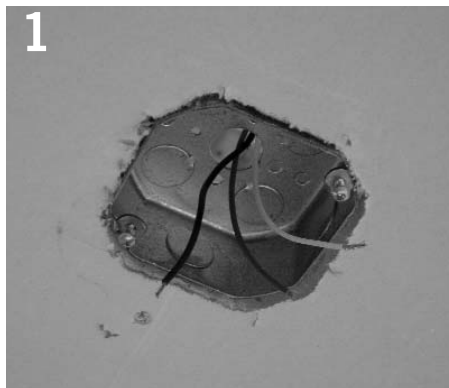


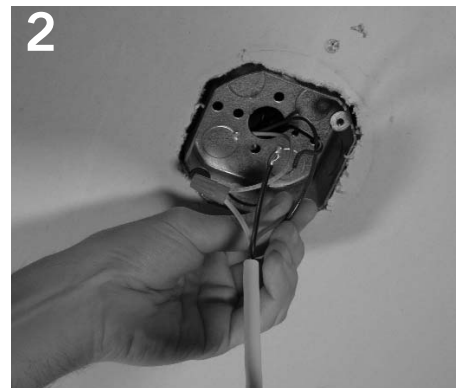
POLARON SURFACE

Installation Instructions

NOTE: For applications other than direct surface mounting, see installation instructions included with optional accessory hardware pack.



1 Install 4" octagonal junction box (not provided) into ceiling or wall.



2 Make electrical connection with supplied 12" cord at junction box.



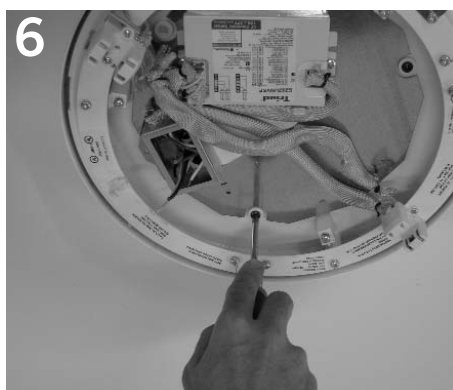
3 Remove diffuser from base by turning counterclockwise.



4 Remove ballast cover by loosening (3) screws and turning cover counterclockwise.



5 Raise luminaire up to j-box and pull cord through the bushing as shown.



6 Secure luminaire with (3) screws (included) or equivalent.* See mounting drawing for mounting hole replacement.



7 Trim excess cord and make electrical connection inside luminaire.



8 Push connections into splice compartment in luminaire.

Product to be installed by qualified electrician only.

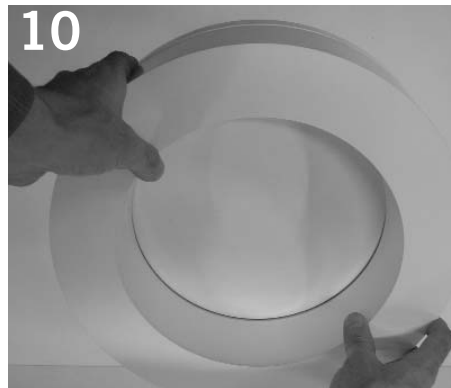
PART # 08050801-01 Rev. A

POLARON SURFACE

Installation Instructions

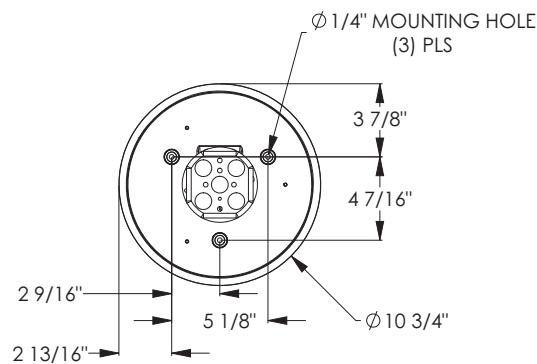


9 Replace ballast cover and tighten securing screws.

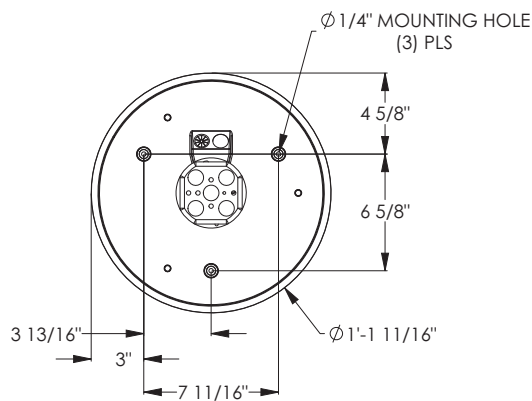


10 Install lamp(s) per relamp label and re-install diffuser.

*NOTE: For grid ceiling application, use combination of hangerbars and Caddy clips to secure luminaire. Wire to structure as required by local codes.



Mounting Dimensions - 22W



Mounting Dimensions - 40W and 55W