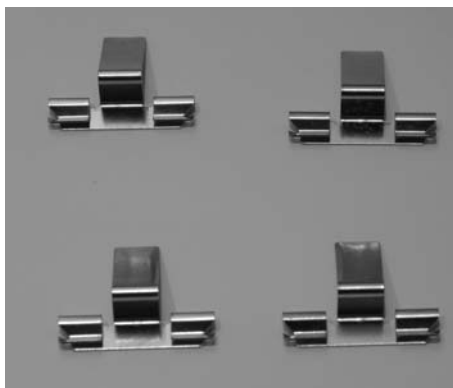


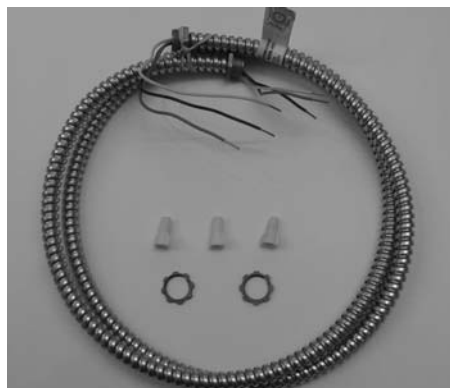
# LIVENTY RECESSED

## Installation Instructions



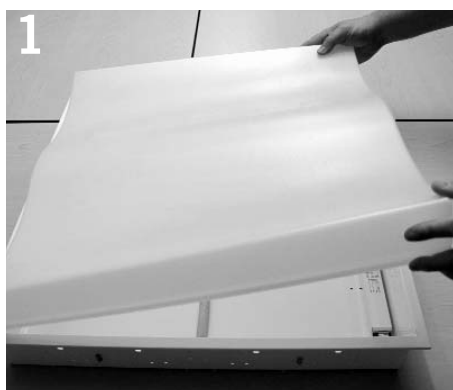
### RECESSED KIT CONTENTS:

- Four (4) flange clips



### SUPPLIED BY OTHERS:

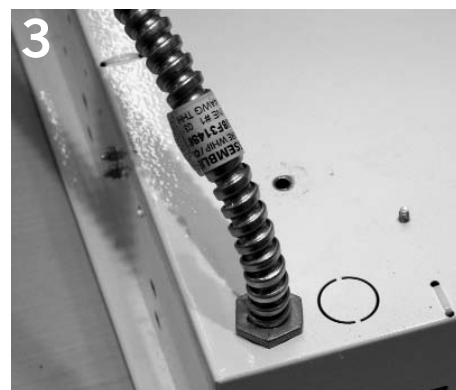
- Flexible conduit to feed to fixture
- Wire nuts



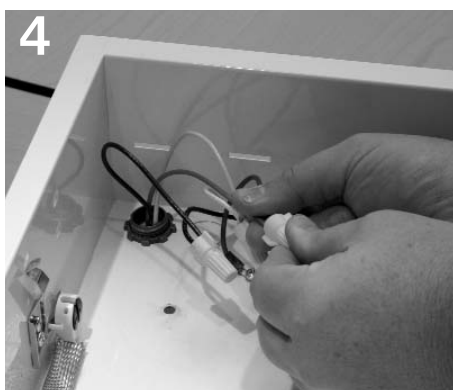
1  
Remove diffuser lens from Liventy fixture. DO NOT PLACE FIXTURE WITH THE LENS FACE DOWN. THIS MAY DAMAGE THE LENS.



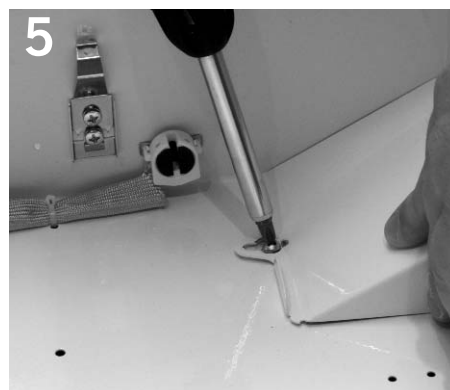
2  
Remove wire cover from inside of fixture to expose wires.



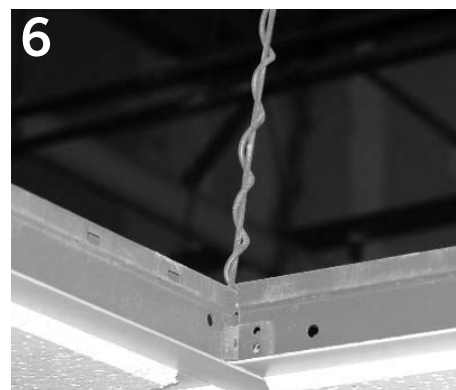
3  
Attach flexible conduit to back of Liventy housing and secure with nut inside of fixture.



4  
Wire fixture to feed wires in flexible conduit.



5  
Replace and secure wire cover to fixture.



6  
Make sure T-Grid is secure around fixture location using wire tied off to structure.

Product to be installed by qualified electrician only.

PART #04040671-01

# LIVENTY RECESSED

## Installation Instructions



7 Making sure the top of the clip is facing out to secure to the T-Grid, attach the four flange clips to the fixture. There should be two clips on each side where the elongated holes are to secure the lens.



8 Insert fixture into ceiling grid making sure flange clips are engaged to the T-Grid and fixture is flush with ceiling. Wire fixture through flexible conduit to appropriate J-box.



9 Install lamps into fixture.



10 Insert lens into fixture housing. Flange clips will assist in providing positive pressure to fixture.

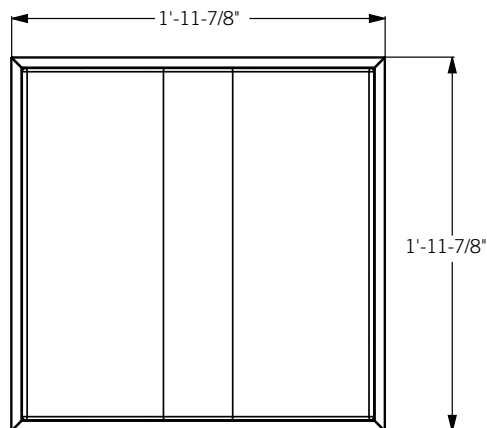
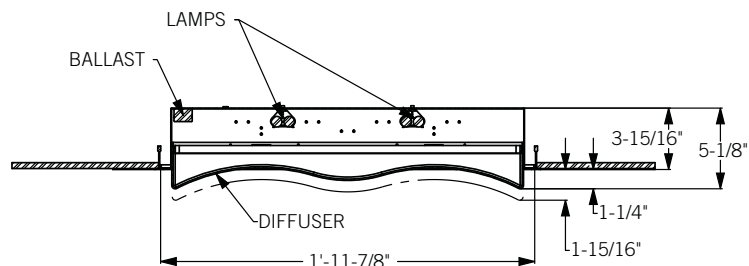


11 Diffuser in upper position will provide increased vertical illumination. Diffuser in lower position provides more downlight. Refer to lighting design for proper placement.

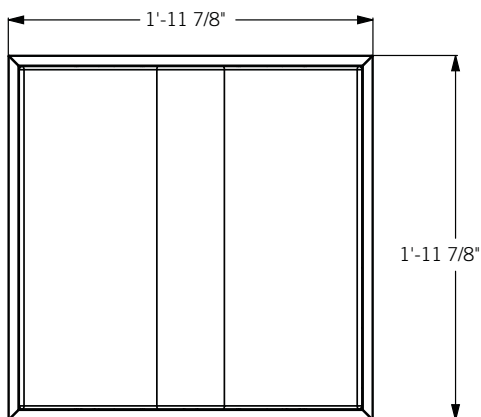
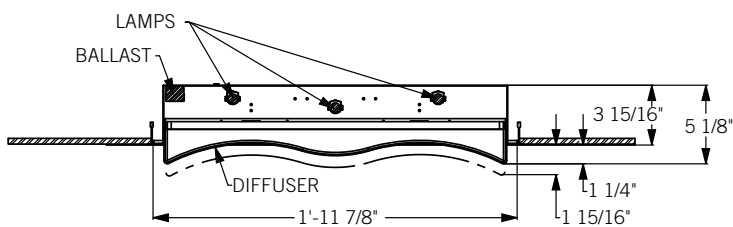
# LIVENTY RECESSED

## Dimensions

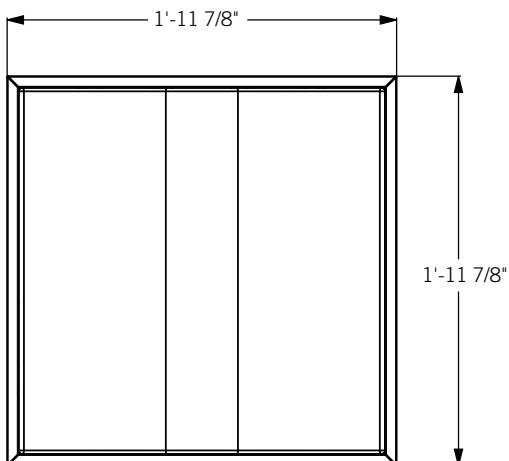
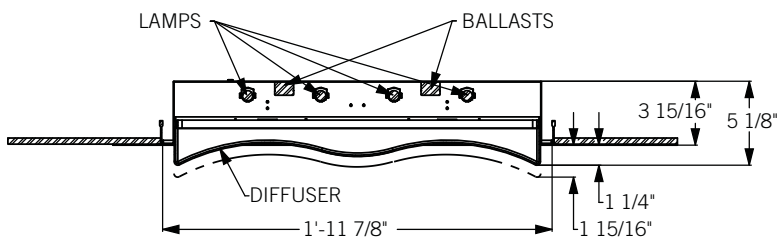
Liventy 2T5B55



Liventy 3T514



Liventy 4T514



Product to be installed by qualified electrician only.

PART #04040671-01