

ENTERIO - GRID CEILING

énergie™

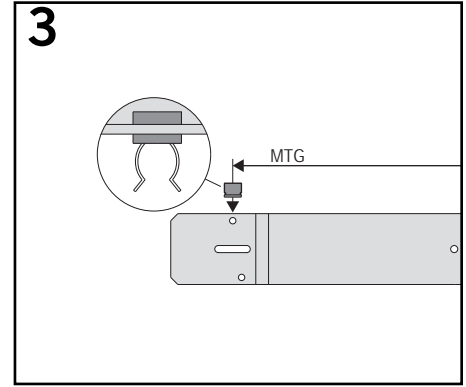
Installation Instructions



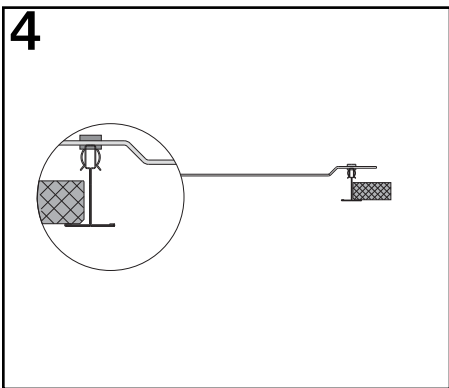
1
To release louver, pull from center spline at one end.



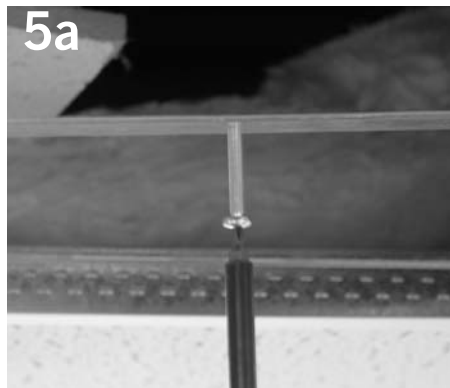
2
Depress locking tabs backward to fully remove louver.



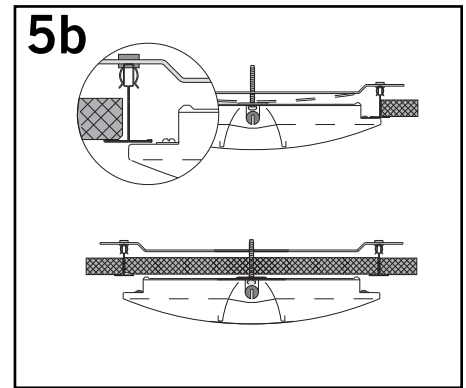
3
Insert spline clips into mounting bars as shown.



4
Snap spline clip and mounting bar assembly onto T-bar. Distance between splines is shown by dimension "MTG" on dimension drawing. Wire to structure as required.



5a
For semi-recessed installation, start screws in mounting bars as shown.



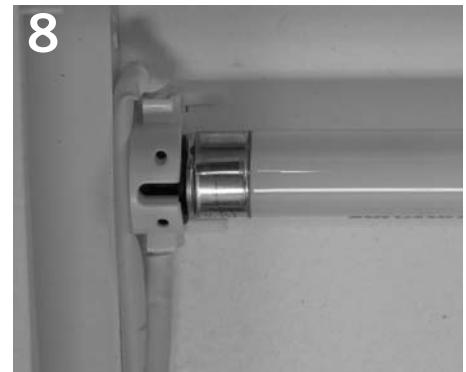
5b
For surface installation to a grid ceiling, start screws through ceiling tile as shown.



6
Make electrical connection to back of fixture.



7
Raise fixture into place. Slide mounting clips over screws and tighten screws to secure fixture.



8
Install lamps per relamp label. Replace louver.

Product to be installed by qualified electrician only.

PART #05090206-01

ENTERIO - HARD CEILING

Installation Instructions



To release louver, pull from center spline at one end.



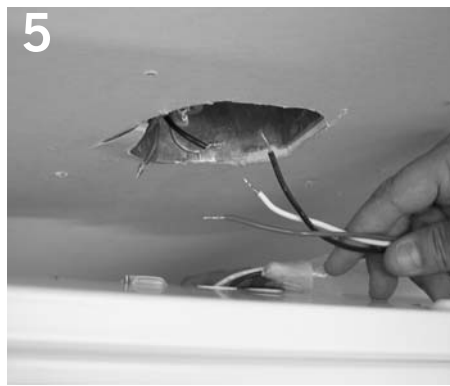
Depress locking tabs backward to fully remove louver.



Mark mounting locations on ceiling at mounting holes "M" shown on dimension drawings.



Start mounting screws in marked locations.



Make electrical connection to pre-installed junction box at knockout location K1 shown on dimension drawings.



Raise fixture into place. Slide mounting clips over screws and tighten screws to secure fixture.



Install lamp(s) per relamp label.



Replace louver.

Note: For hard and grid ceiling mounts, luminaires must be tied to structure per local requirements.

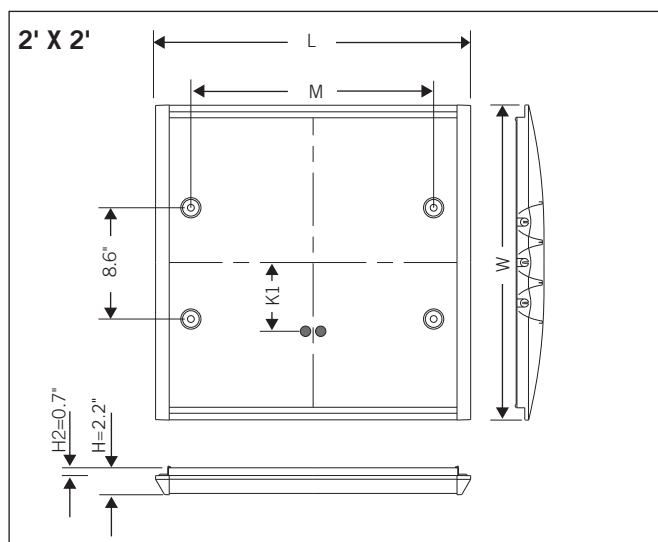
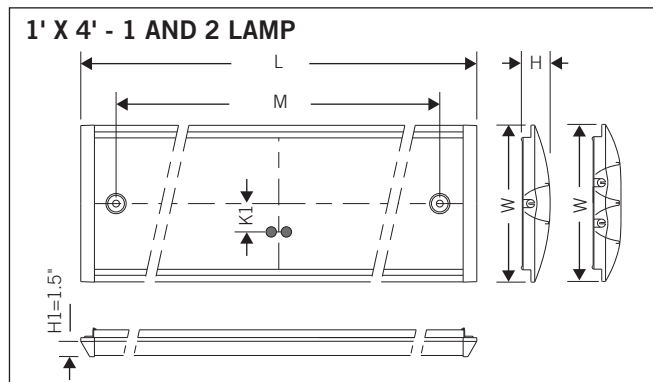
Product to be installed by qualified electrician only.

PART #05090206-01

ENTERIO - HARD CEILING

Dimension drawings

| KEY | DESCRIPTION | 1' x 4' 1 LAMP | 1' x 4' 2 LAMP | 2' x 2' |
|-----|---------------------|-------------------|-------------------|---------|
| L | Overall length | 48.6" | 48.6" | 24.3" |
| W | Overall width | 12.1" | 12.1" | 24.3" |
| M | Mounting holes | 35.1" | 35.1" | 18.7" |
| K1 | Electrical knockout | 2.2" | 3.7" | 5.3" |



Ballast Access



1 Remove louver.



2 Unscrew panel on side of louver channel.



9 Remove panel to access ballast.

Product to be installed by qualified electrician only.

PART #05090206-01