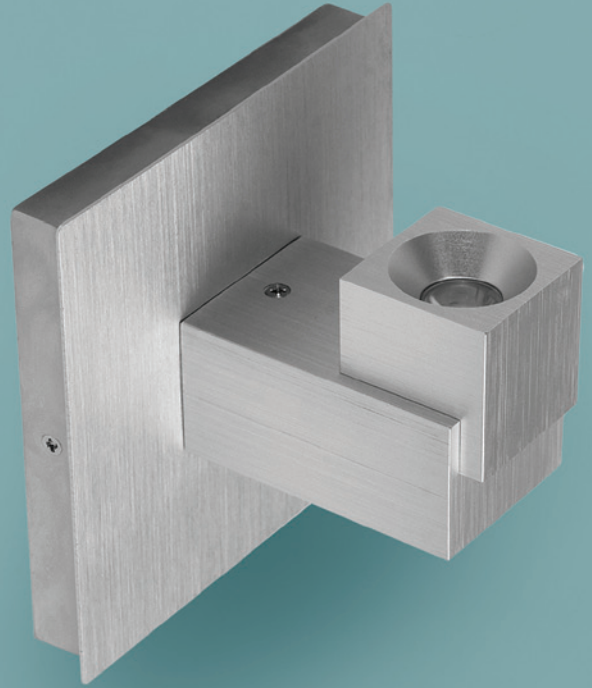


MINIMUM Round Double | Photograph: Copyright © 2013 Studio Victor Sanchez



MINIMUM Square Single | Photograph: Copyright © 2013 Studio Victor Sanchez

MINIMUM



MINIMUM Square Single and MINIMUM Square Double | Tons Showroom | Zongshan, Guangdong, China | Lighting Design: Kat Mai

MINIMUM. Diminutive size. Directional options.

With its simple, clean design and exceptionally small size, MINIMUM adds appealing decorative wall accent lighting in office and commercial environments as well as museums, galleries, showrooms and hospitality settings. Select Round or Square Double luminaires to project smooth bi-directional 30-degree beams, or Single luminaires of either shape mounted to distribute light up or down. Whether spaced individually or in clusters, the ADA-compliant MINIMUM family delivers interesting lighting effects with the inherent efficiency and low maintenance of advanced solid-state technology.



MINIMUM Round and Square, Single and Double

Photograph: Copyright © 2013 Studio Victor Sanchez



MINIMUM Round Single



MINIMUM Round Double



MINIMUM Square Single



MINIMUM Square Double






Photographs: Copyright © 2013 Studio Victor Sanchez

Product details.

- Diminutive size and simple, elegant design
- Round or square shape
- Single or double configuration
- Single fixtures may be mounted for up or down light
- Fixtures may be mounted in a vertical or horizontal orientation for additional lighting effects
- LED color is Warm White (3000K)
- **ADA compliant**

CONSTRUCTION	Fixture body and LED housing are constructed of machined aluminum.
FINISH	Fixture and LED housings are brushed aluminum.
SHIELDING	Integral 30-degree spread lens for each LED chip.
ELECTRICAL	120V. Integral 3.6W LED driver.
MOUNTING	Fixture mounts over a standard octagonal junction box.

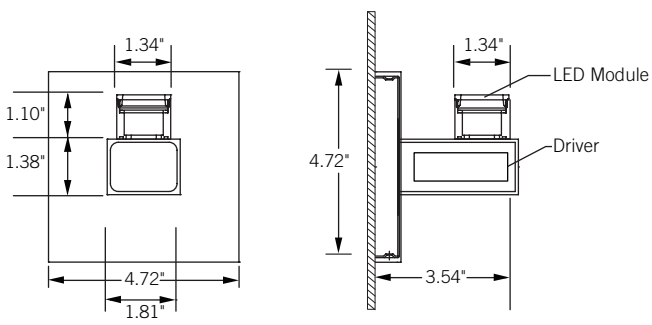
See product specification sheets at www.energielighting.com for complete details.

	 MINIMUM Round Single	 MINIMUM Round Double	 MINIMUM Square Single	 MINIMUM Square Double
Catalog Number Prefix	MNRS	MNRD	MNSS	MNSD
Dimmable	No	No	No	No
Indirect % / Direct %	100% in either direction (depends on mounting)	50% / 50%	100% in either direction (depends on mounting)	50% / 50%
Beam Spread	30-degree lens	30-degree lens	30-degree lens	30-degree lens
Lamp	(1) 1.2W Osram Oslon LED chip	(2) 1.2W Osram Oslon LED chips	(1) 1.2W Osram Oslon LED chip	(2) 1.2W Osram Oslon LED chips
LED Colors Available	Warm White (3000K)	Warm White (3000K)	Warm White (3000K)	Warm White (3000K)
Light Output (Lumens)	60	120	60	120
System Watts	1.6	3.2	1.6	3.2
Lumens per Watt (Efficacy)	37.3	37.3	37.3	37.3
CRI	> 80	> 80	> 80	> 80
LED Rated Life¹	50,000 hours	50,000 hours	50,000 hours	50,000 hours
Warranty	5 years	5 years	5 years	5 years
ADA Compliant	Yes	Yes	Yes	Yes

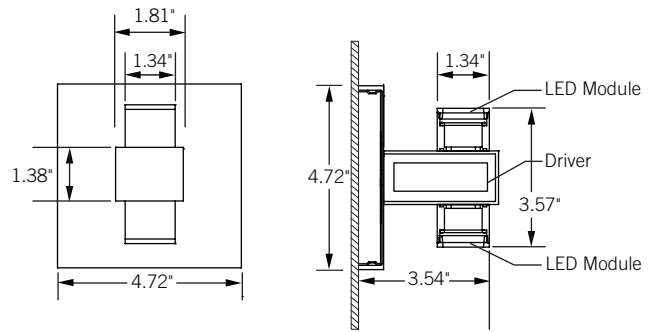
¹Rated life to 70% lumen output, per LED supplier's data sheet.

Dimensions.

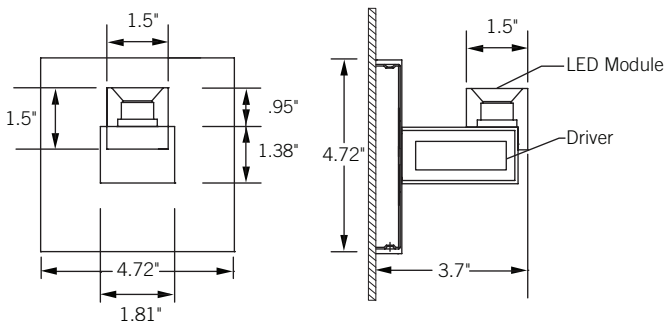
MINIMUM Round Single



MINIMUM Round Double



MINIMUM Square Single



MINIMUM Square Double

